

# GORRHINO®

## INSTALLATION INSTRUCTIONS

PART NO.

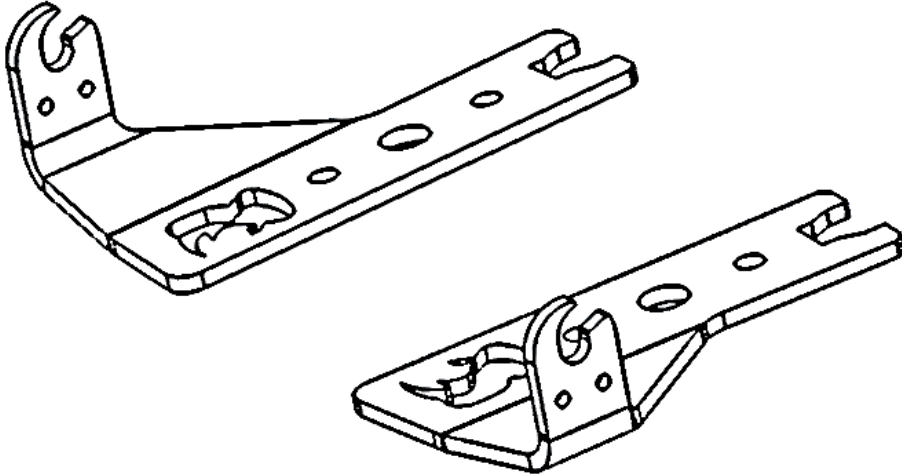
- 732210T

PRODUCT DESCRIPTION:

- CENTER HOOD MOUNT LIGHT BAR KIT, 20" SINGLE ROW

APPLICATION:

- JEEP WRANGLER JL



### PRODUCT SAFETY & LEGAL DISCLAIMER

- **IMPORTANT READ ALL INSTRUCTIONS CAREFULLY BEFORE INSTALLING, FAILURE TO DO SO MAY CAUSE PERSONAL INJURY OR DAMAGE TO PRODUCT AND/OR PROPERTY.**
- **Review the product package and contents prior to beginning the installation.** Take care when opening the packaging and removing items. If a return is needed you will want to return the product in its original packaging if possible.
- This instruction guide is provided as a GENERAL installation guide, some vehicles vary dimensionally and may require additional steps.
- Test fit the product on the vehicle prior to any third party modifications and or finishing. The manufacturer and/or distributors do not accept responsibility for third party charges, labor and or third part replacement modifications. Some modifications may void the factory warranty.
- Exercise due-diligence when installing this product. The manufacturer and distributors of this product do not accept any responsibility for vehicle damage or personal injury resulting from the installation of this product. Careless installation and operation can result in serious injury or equipment damage.
- This product is for general off-road use. All liability for installation and use rests with the owner/operator.
- **INSTALLER:** Once installation is complete, please return this guide along with other documentation included in this product back to the consumer for future reference. The manufacturer/distributors of this product do not guarantee this particular version will be available at a later date.



## INSTALLATION INSTRUCTIONS

### INJURY HAZARD

Please complete a shop and tool inspection prior to beginning the installation.

- Always make sure you have a clean, dry and well lit work area.
- Always remove jewelry, loose fitting clothing and wear protective gloves and eye protection.
- Always use extreme caution when jacking or raising a vehicle for work. Set the emergency brake and use tire/wheel blocks and jack stands. Refer to the vehicle manufacturer hand book. Utilize the vehicle manufacturers designated lifting points.
- Always use appropriate and adequate care in lifting parts during disassembly and installation. Seek help in lifting heavy or large items into place. Utilize jacks and or lifting devices when available.
- Always insure products are secure during disassembly and installation.
- Always wear eye protection and take steps to protect any exposed skin during the installations. Drilling, cutting and grinding plastic and metal may create flying particles that can cause injury.
- Always use extreme caution when drilling, cutting and or grinding on a vehicle. Thoroughly inspect the area to be drilled, on both sides of material, prior to modification and relocate any objects that may become damaged.
- Always assemble and tighten all fasteners per the installation instructions.
- Always route electrical cables carefully. Avoid moving parts, parts that may become hot and rough or sharp edges.
- Always insulate and protect all exposed wiring and electrical connections.

### MAINTENANCE AND CARE

- Always perform regular inspections and maintenance on mounts and related fasteners.
- Periodically check and tighten all fasteners.
- Stripped, fractured, or bent fasteners must be replaced.
- After washing the vehicle make sure to fully dry all surfaces.
- In areas with cold temperatures make sure to wash the product often to remove harmful materials used on road ways.
- Never use abrasive cleaners or polish compounds. Clean with a gentle soap and water. If you use wax use a non-abrasive automotive wax such as pure carnauba wax.

### WARNING

Some products have been designed to work together with factory rear sensor systems, factory forward facing sensor systems and factory air bags.

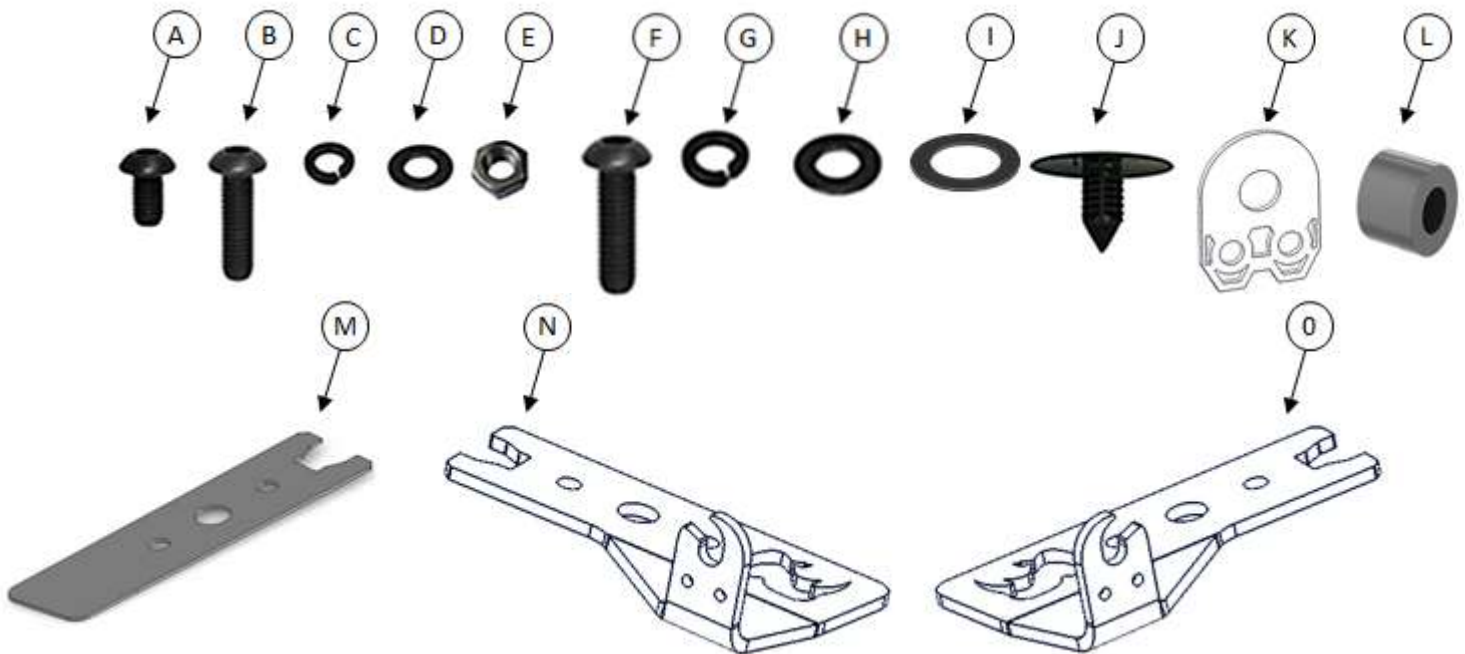
- Installation of some of these products may alter the factory sensor system performance.
- Factory sensors may read shackles or hooks protruding from the fairlead and or tow hooks.
- All sensor testing is completed by Go Rhino Products and or third party testing labs on modified vehicles.
- Sensor sensitivity, factory sensor housing, orientation, and operating conditions are all variables that will influence functionality of the sensors.
- Installation of some product may effect the factory air bag systems.
- Some products allow the use of third party products such as winches, shackles, hooks, etc. Follow the respective manufacturers operating instructions for use with our products.
- Make sure to fully understand the product, it's intended use and operation prior to use.
- Above all... be safe!

# GO RHINO®

## INSTALLATION INSTRUCTIONS

### PARTS INCLUDED IN THIS LIST:

ITEM	QTY.	DESCRIPTION	ITEM	QTY.	DESCRIPTION
A	4	10-32 x 1/4" Button Head Hex Drive Screw	I	4	5/16" Flat Washer (Plastic)
B	4	1/4" X 3/4" Button Head Hex Drive Screw	J	14	Plastic Tree Clips
C	4	1/4" Lock Washer	K	2	Retainer Plate
D	8	1/4" Flat Washer	L	2	Plastic Spacer
E	4	1/4" Hex Nut	M	2	Rubber Gasket
F	2	M8 X 35mm Button Head Hex Drive Screw	N	1	Passenger Side Center Hood Mount Bracket
G	2	M8 Lock Washer	O	1	Driver Side Center Hood Mount Bracket
H	4	M8 Flat Washer			



Go Rhino recommends you, the installer, read this installation instruction manual from front to back before installing the product.

### TOOLS NEEDED FOR INSTALLATION:

- 9mm , 11mm & 7/16" Socket
- Ratchet
- 1/8", 5/32" & 5mm Hex key
- Drill Motor & Drill Bits
- Trim Removal Tool

ESTIMATED TIME FOR INSTALLATION:

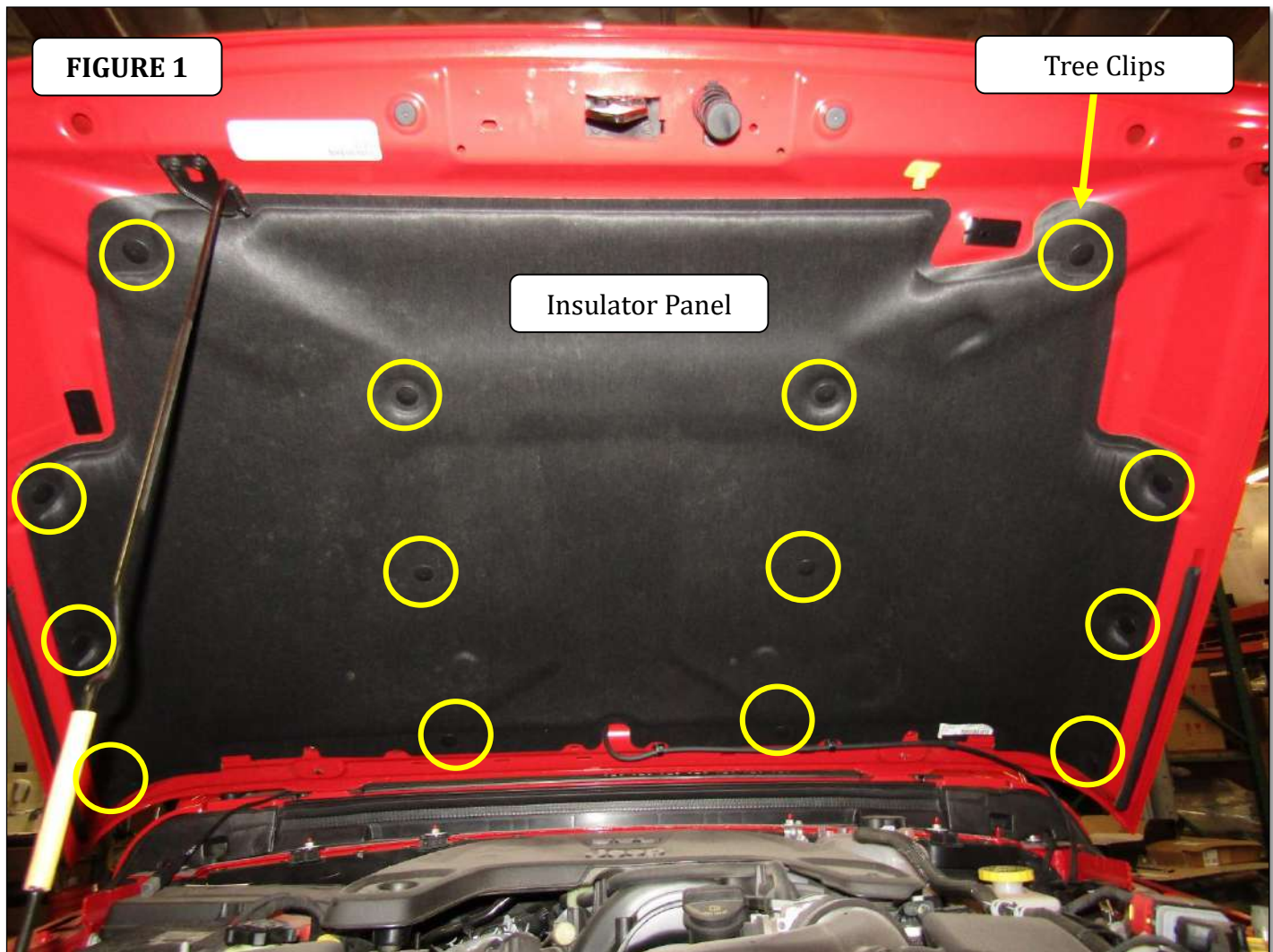
1 Hour

# GO RHINO®

## INSTALLATION INSTRUCTIONS

**Step-1** Open the hood and position the hood prop rod.

**Step-2** Using a trim removal tool locate and remove the (14) plastic tree clips securing the insulator panel to the underside of the hood, (FIGURE 1).



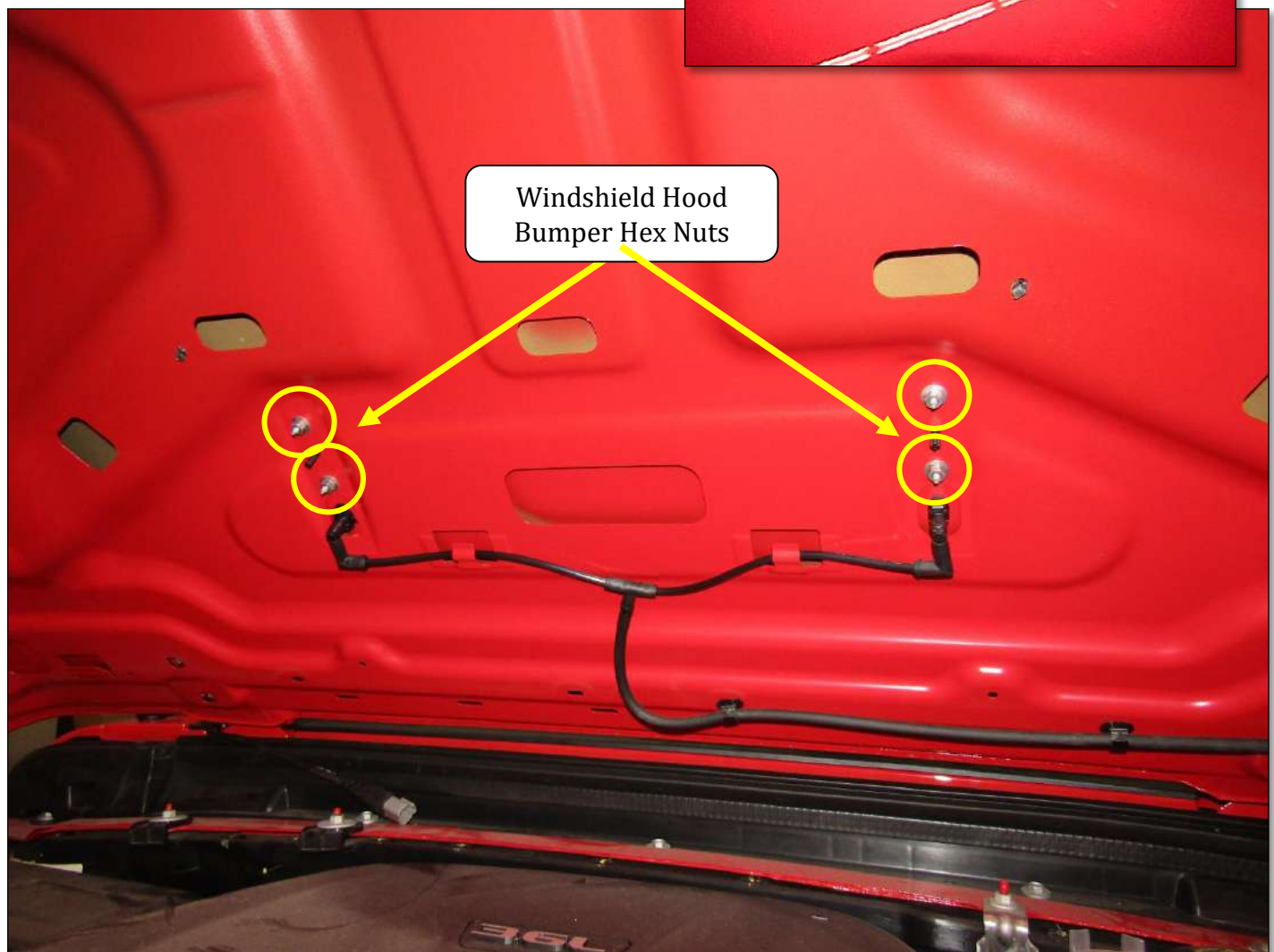


# GO RHINO®

## INSTALLATION INSTRUCTIONS

**Step-3** Using an 9mm socket and ratchet, remove the (2) nuts from the studs securing each windshield hood bumper to the top of the hood, (FIGURE 2).

FIGURE 2

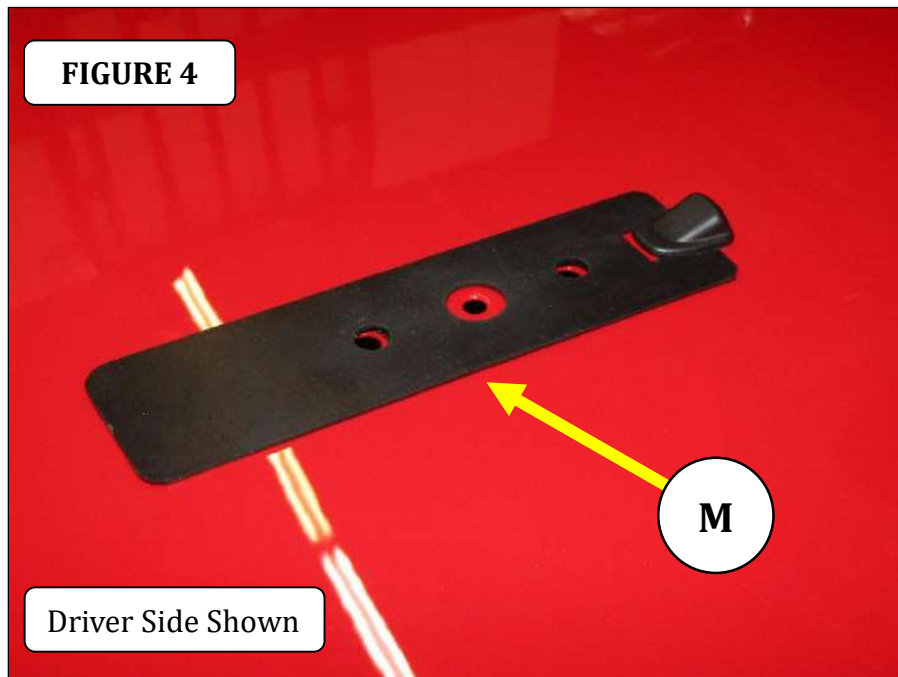
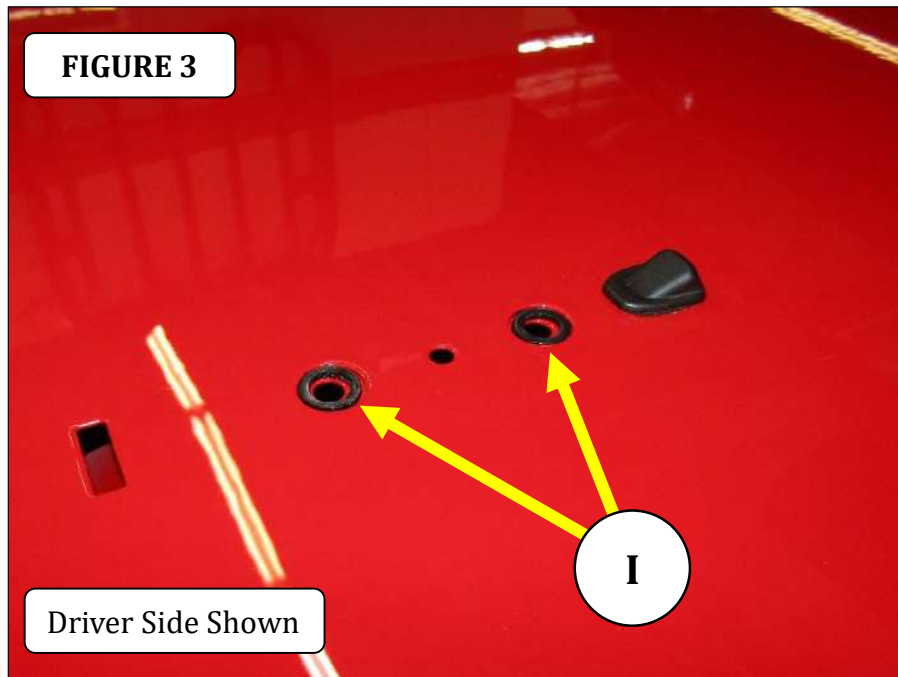


# GORRHINO®

## INSTALLATION INSTRUCTIONS

**Step-4** Lower the hood and position (1) 5/16" plastic flat washer in the recess of each attachment hole used for the hood bumpers (FIGURE 3).

**Step-5** Place the rubber gaskets on top of the hood, and align the holes in the gasket with the hood bumper attachment holes, (FIGURE 4). **Note:** Position the rubber gaskets so the perimeter of the gasket match the bottom of the driver and passenger side center hood mount brackets.

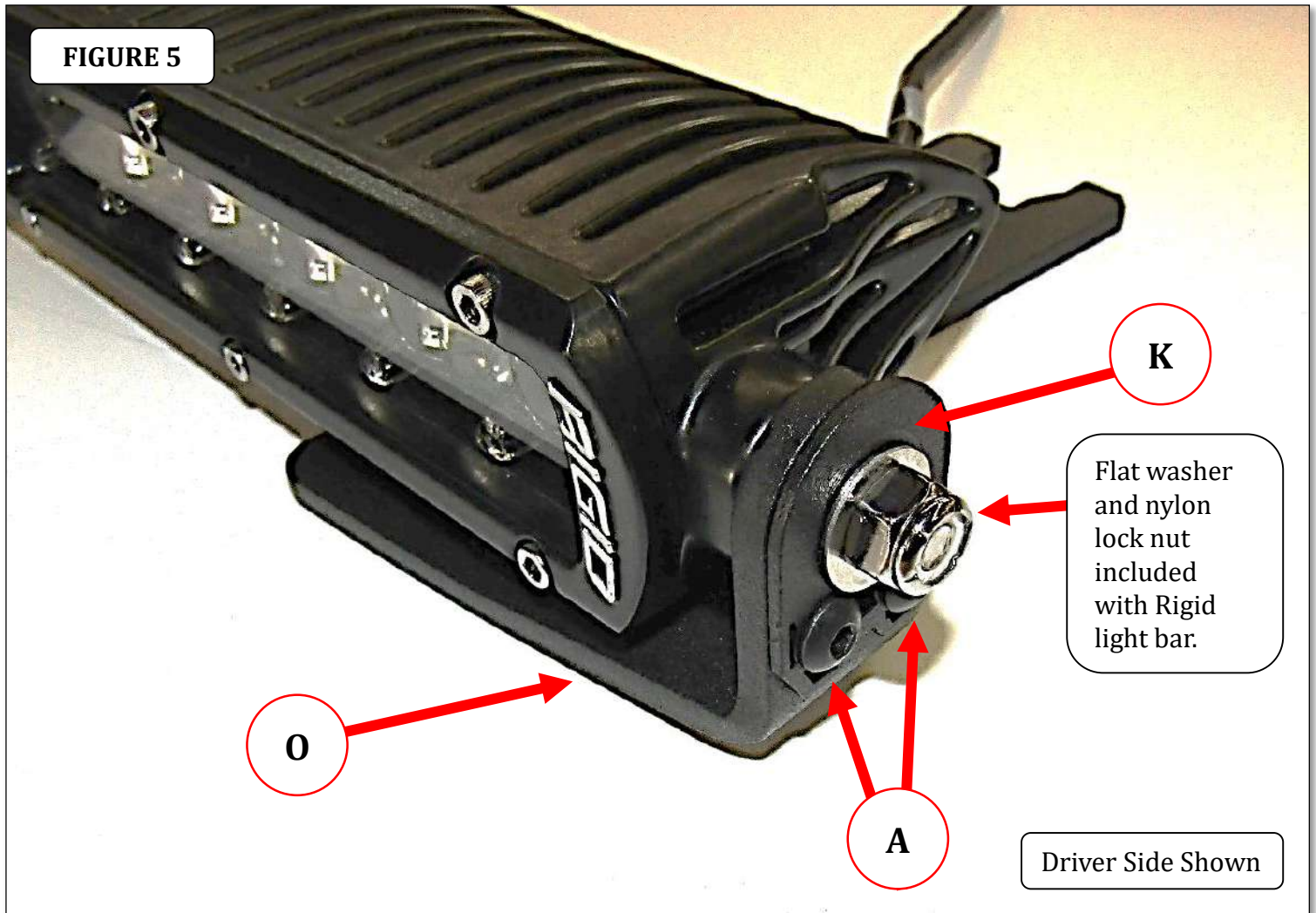


# GORRHINO®

## INSTALLATION INSTRUCTIONS

### Step-6.1

Rigid Light Bar: Install (1) retainer plate and (2) 10-32 x 1/4" button head hex drive screws to the driver side center hood mount bracket. Place the light bar on a flat surface. Position the driver side center hood mount bracket onto light bar end mount stud, then install the flat washer and nylon lock nut (included with the light bar) to secure the bracket. Tighten the screws securing the retainer plate, and snug but do not fully tighten the nylon lock nut, (FIGURE 5). Repeat to install the retainer plate and passenger side center hood mount bracket.



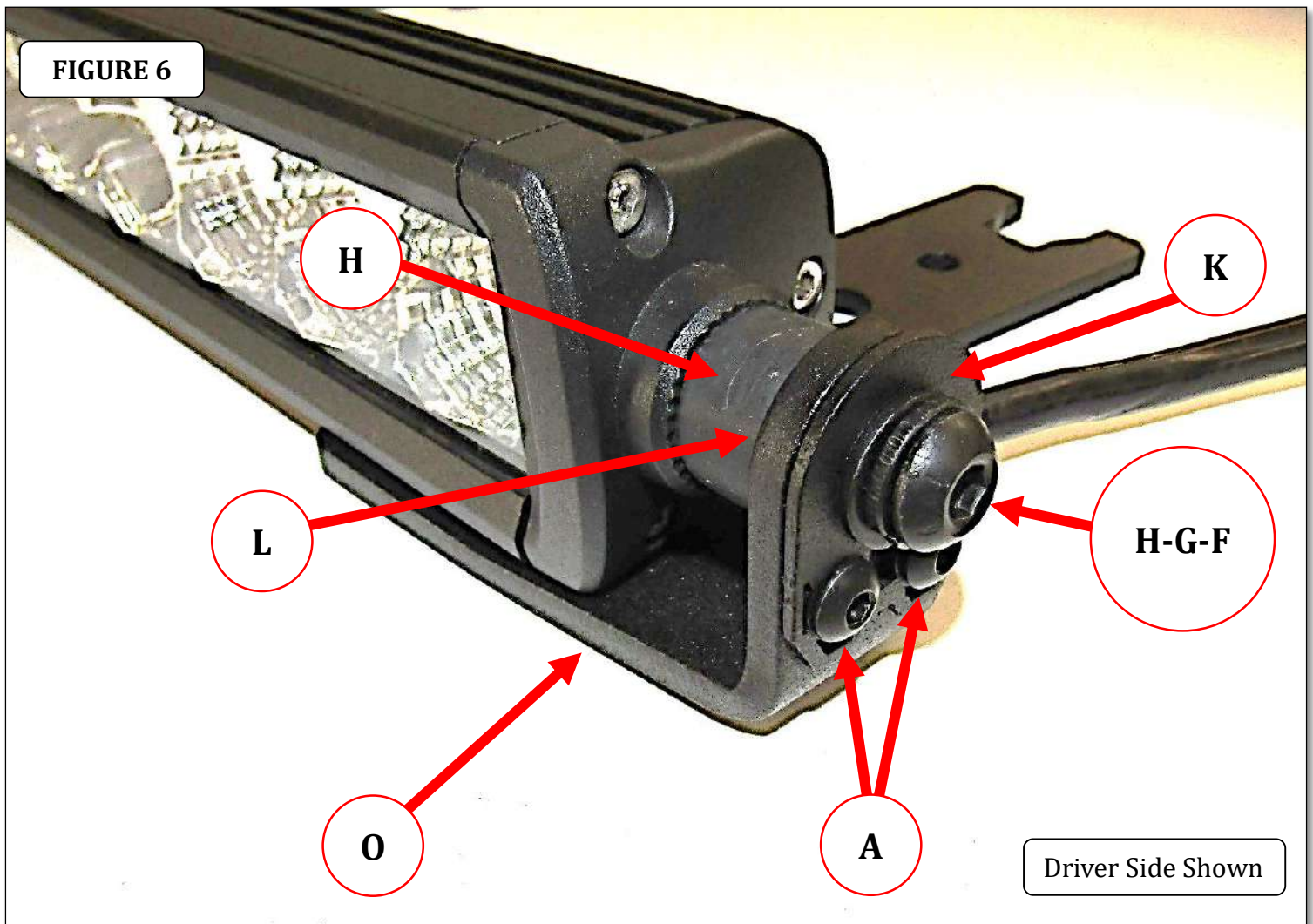


# GO RHINO®

## INSTALLATION INSTRUCTIONS

### Step-6.2

Go Rhino Light Bar: Install (1) retainer plate and (2) 10-32 x 1/4" button head hex drive screws to the driver side center hood mount bracket. Place the light bar on a flat surface. Position the supplied spacer and M8" flat washer between the end of the light bar and the driver side center mount bracket then secure the center hood mount bracket to the light bar using (1) M8 x 35mm button head screw and (1) M8" lock washer and (1) M8 flat washer. Tighten the screws securing the retainer plate, and snug but do not fully tighten the M8 screw, (FIGURE 6). Repeat to install the retainer plate and passenger side center hood mount bracket.





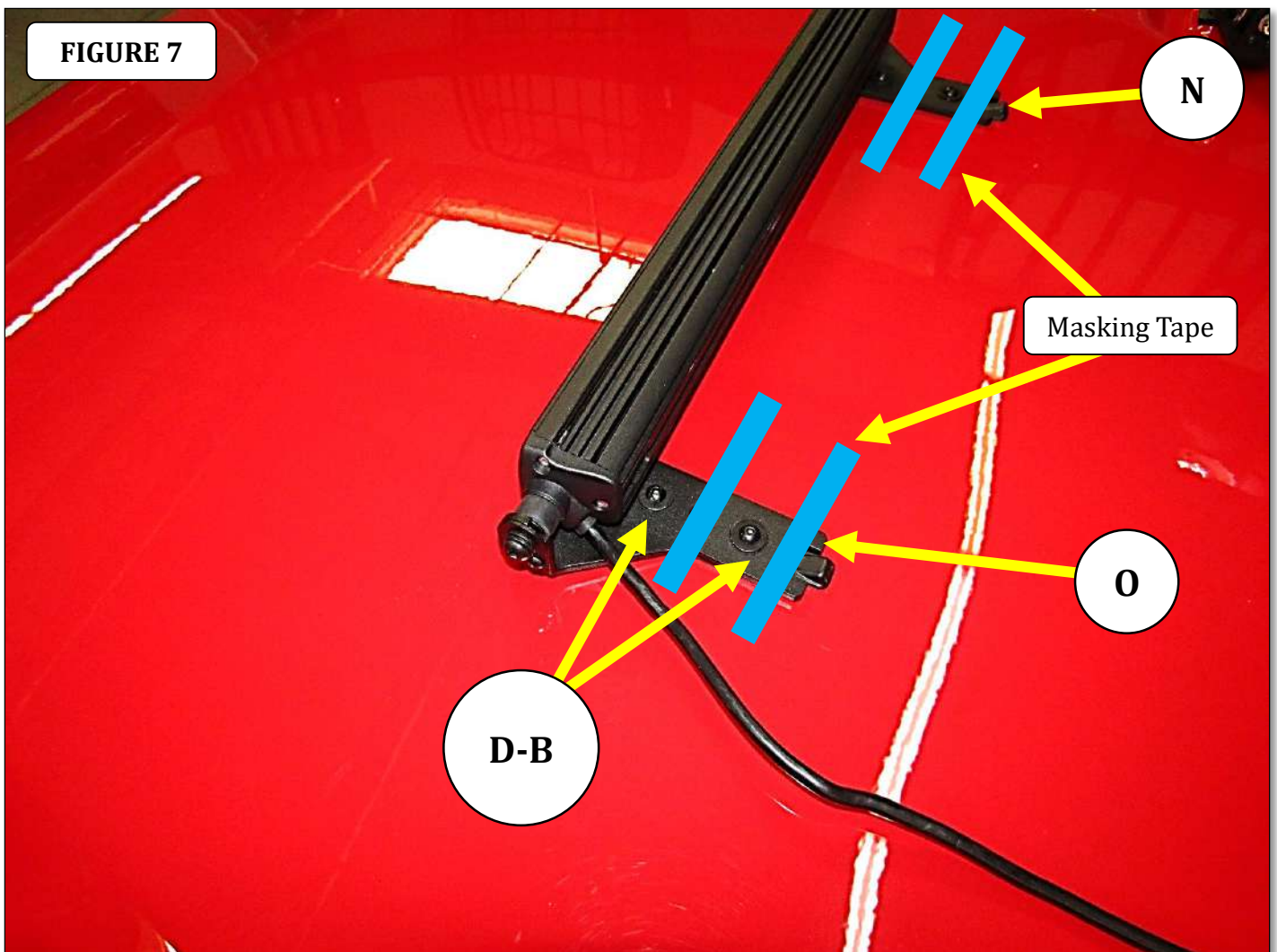
# GORRHINO®

## INSTALLATION INSTRUCTIONS

**Step-7** Position the center hood mount bracket and light bar assembly on top of the rubber gaskets, (FIGURE 7).

**Step-8** Assemble the 1/4" x 3/4" button head screws and 1/4" flat washers, then install the screws in the holes of the center hood mount brackets, (FIGURE 7).

**Step-9** Apply strips of masking tape to hold the center hood mount bracket and light bar assembly in place on the hood, (FIGURE 7).



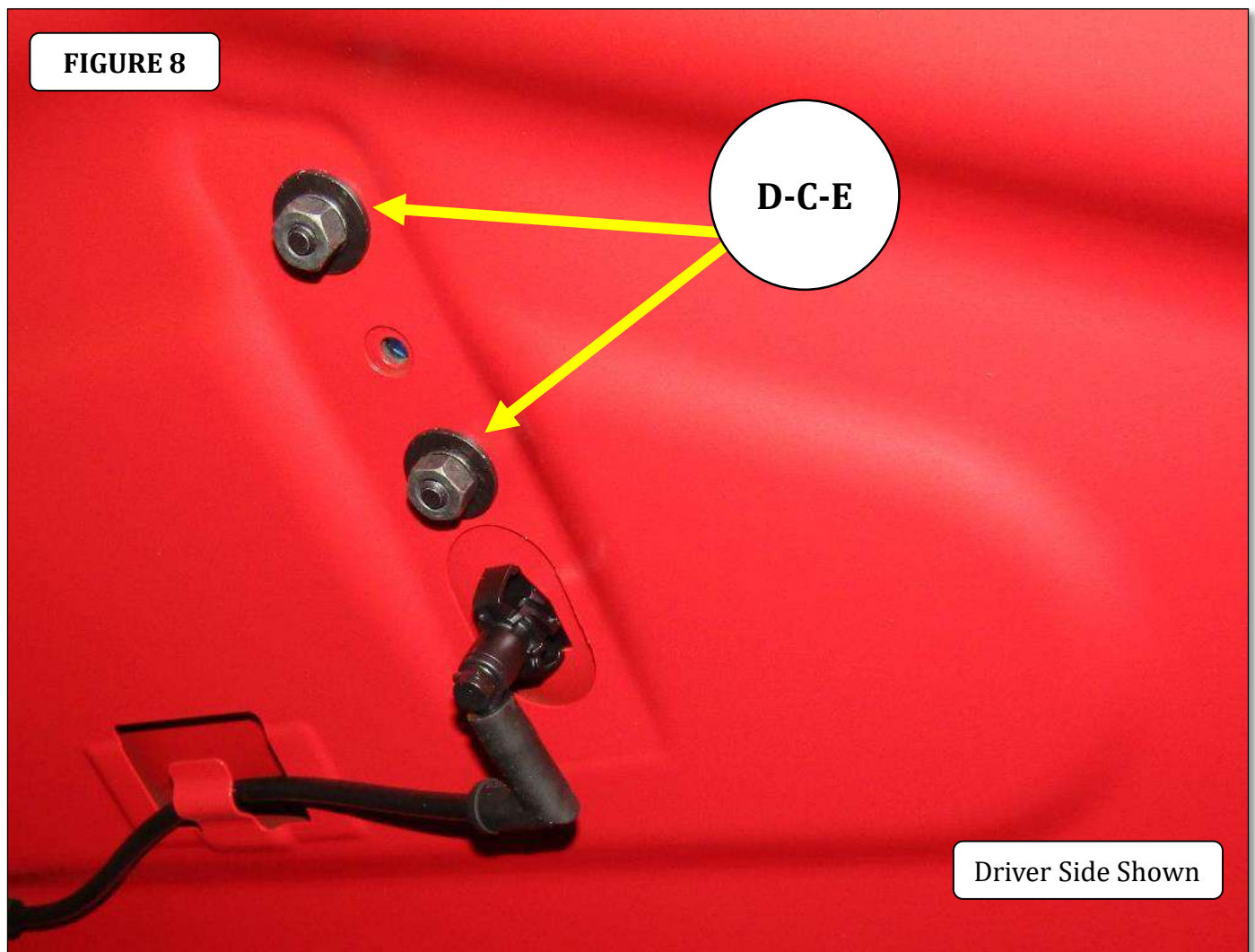
# GORRHINO<sup>®</sup>

## INSTALLATION INSTRUCTIONS

**Step-10** Check that the masking tape is securing the bracket and light bar assembly, then Carefully open the hood.

**Step-11** Hold down on the button head screws from the top of the hood, then from under the hood install  $\frac{1}{4}$ " flat washers,  $\frac{1}{4}$ " lock washers and  $\frac{1}{4}$ " hex nuts on the (4)  $\frac{1}{4}$ " button head screws, (FIGURE 8). Tighten the nuts and screws.

**Step-12** Re-install the insulator panel to the underside of the hood using the supplied plastic tree clips.



# GO RHINO®

## INSTALLATION INSTRUCTIONS

**Step-13** Adjust the light bar so the lens is in the desired position, then tighten all remaining screws or nuts securing the light bar to the center hood mount brackets.



**14-** Reference the installation instructions included with the light bar to complete the wiring.