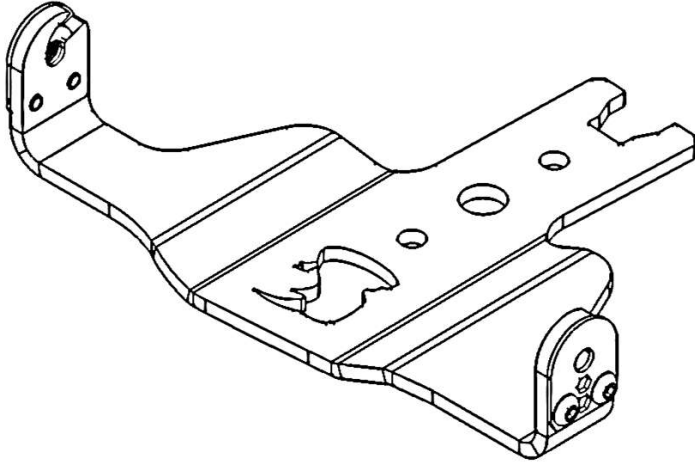


GORRHINO®

INSTALLATION INSTRUCTIONS



PART NO.

- 732060T

PRODUCT DESCRIPTION:

- CENTER HOOD MOUNT LIGHT BAR KIT, 6" SINGLE ROW

APPLICATION:

- JEEP WRANGLER JL

PRODUCT SAFETY & LEGAL DISCLAIMER

- **IMPORTANT READ ALL INSTRUCTIONS CAREFULLY BEFORE INSTALLING, FAILURE TO DO SO MAY CAUSE PERSONAL INJURY OR DAMAGE TO PRODUCT AND/OR PROPERTY.**
- **Review the product package and contents prior to beginning the installation.** Take care when opening the packaging and removing items. If a return is needed you will want to return the product in its original packaging if possible.
- This instruction guide is provided as a GENERAL installation guide, some vehicles vary dimensionally and may require additional steps.
- Test fit the product on the vehicle prior to any third party modifications and or finishing. The manufacturer and/or distributors do not accept responsibility for third party charges, labor and or third part replacement modifications. Some modifications may void the factory warranty.
- Exercise due-diligence when installing this product. The manufacturer and distributors of this product do not accept any responsibility for vehicle damage or personal injury resulting from the installation of this product. Careless installation and operation can result in serious injury or equipment damage.
- This product is for general off-road use. All liability for installation and use rests with the owner/operator.
- **INSTALLER:** Once installation is complete, please return this guide along with other documentation included in this product back to the consumer for future reference. The manufacturer/distributors of this product do not guarantee this particular version will be available at a later date.



INSTALLATION INSTRUCTIONS

INJURY HAZARD

Please complete a shop and tool inspection prior to beginning the installation.

- Always make sure you have a clean, dry and well lit work area.
- Always remove jewelry, loose fitting clothing and wear protective gloves and eye protection.
- Always use extreme caution when jacking or raising a vehicle for work. Set the emergency brake and use tire/wheel blocks and jack stands. Refer to the vehicle manufacturer hand book. Utilize the vehicle manufacturers designated lifting points.
- Always use appropriate and adequate care in lifting parts during disassembly and installation. Seek help in lifting heavy or large items into place. Utilize jacks and or lifting devices when available.
- Always insure products are secure during disassembly and installation.
- Always wear eye protection and take steps to protect any exposed skin during the installations. Drilling, cutting and grinding plastic and metal may create flying particles that can cause injury.
- Always use extreme caution when drilling, cutting and or grinding on a vehicle. Thoroughly inspect the area to be drilled, on both sides of material, prior to modification and relocate any objects that may become damaged.
- Always assemble and tighten all fasteners per the installation instructions.
- Always route electrical cables carefully. Avoid moving parts, parts that may become hot and rough or sharp edges.
- Always insulate and protect all exposed wiring and electrical connections.

MAINTENANCE AND CARE

- Always perform regular inspections and maintenance on mounts and related fasteners.
- Periodically check and tighten all fasteners.
- Stripped, fractured, or bent fasteners must be replaced.
- After washing the vehicle make sure to fully dry all surfaces.
- In areas with cold temperatures make sure to wash the product often to remove harmful materials used on road ways.
- Never use abrasive cleaners or polish compounds. Clean with a gentle soap and water. If you use wax use a non-abrasive automotive wax such as pure carnauba wax.

WARNING

Some products have been designed to work together with factory rear sensor systems, factory forward facing sensor systems and factory air bags.

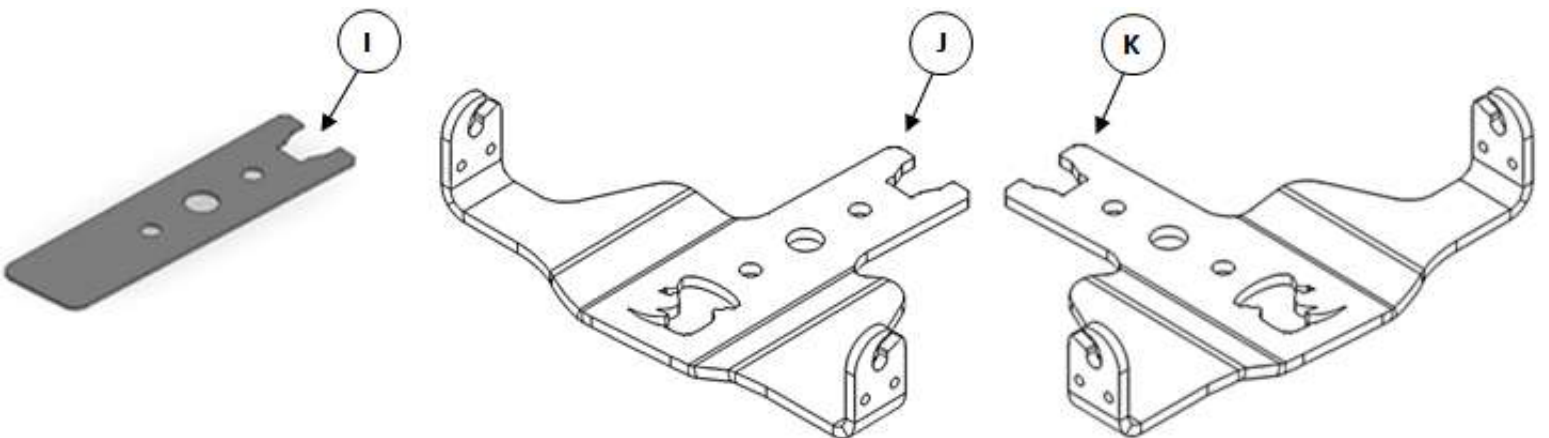
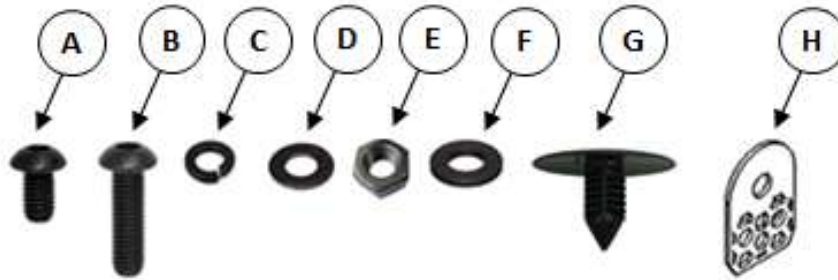
- Installation of some of these products may alter the factory sensor system performance.
- Factory sensors may read shackles or hooks protruding from the fairlead and or tow hooks.
- All sensor testing is completed by Go Rhino Products and or third party testing labs on modified vehicles.
- Sensor sensitivity, factory sensor housing, orientation, and operating conditions are all variables that will influence functionality of the sensors.
- Installation of some product may effect the factory air bag systems.
- Some products allow the use of third party products such as winches, shackles, hooks, etc. Follow the respective manufacturers operating instructions for use with our products.
- Make sure to fully understand the product, it's intended use and operation prior to use.
- Above all... be safe!

GO RHINO®

INSTALLATION INSTRUCTIONS

PARTS INCLUDED IN THIS LIST:

ITEM	QTY.	DESCRIPTION	ITEM	QTY.	DESCRIPTION
A	8	10-32 x 1/4" Button Head Hex Drive Screw	F	4	5/16" Flat Washer (Plastic)
B	4	1/4" X 3/4" Button Head Hex Drive Screw	G	14	Plastic Tree Clips
C	4	1/4" Lock Washer	H	4	Retainer Plate
D	8	1/4" Flat Washer	I	2	Rubber Gasket
E	4	1/4" Hex Nut	J	1	Driver Side Center Hood Mount Bracket
			K	1	Passenger Side Center Hood Mount Bracket



Go Rhino recommends you, the installer, read this installation instruction manual from front to back before installing the product.

TOOLS NEEDED FOR INSTALLATION:

- 9mm , 11mm & 7/16" Socket
- Ratchet
- 1/8" & 5/32" Hex key
- Drill Motor & Drill Bits
- Trim Removal Tool

ESTIMATED TIME FOR INSTALLATION:

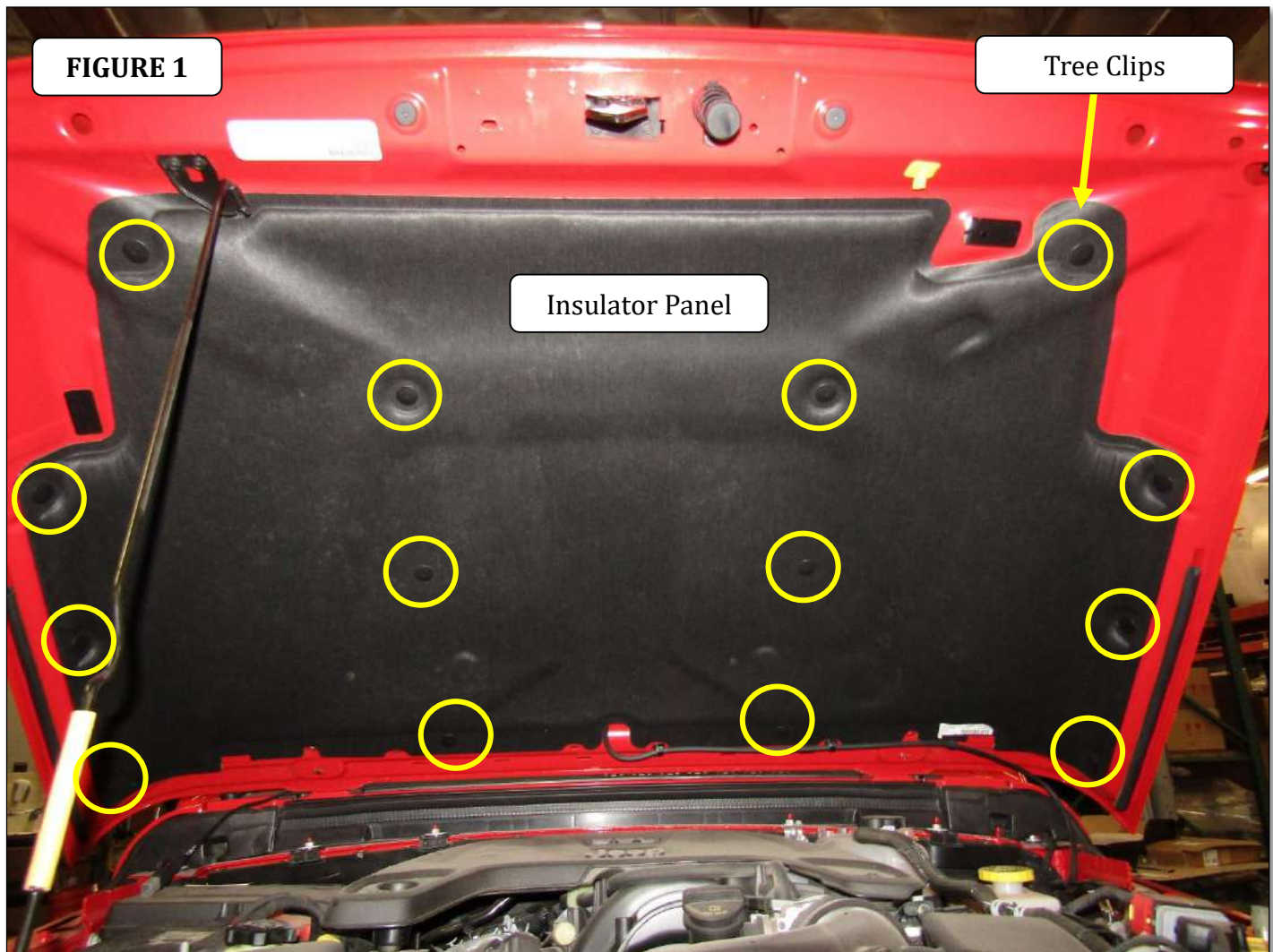
1 Hour

GO RHINO®

INSTALLATION INSTRUCTIONS

Step-1 Open the hood and position the hood prop rod.

Step-2 Using a trim removal tool locate and remove the (14) plastic tree clips securing the insulator panel to the underside of the hood, (FIGURE 1).

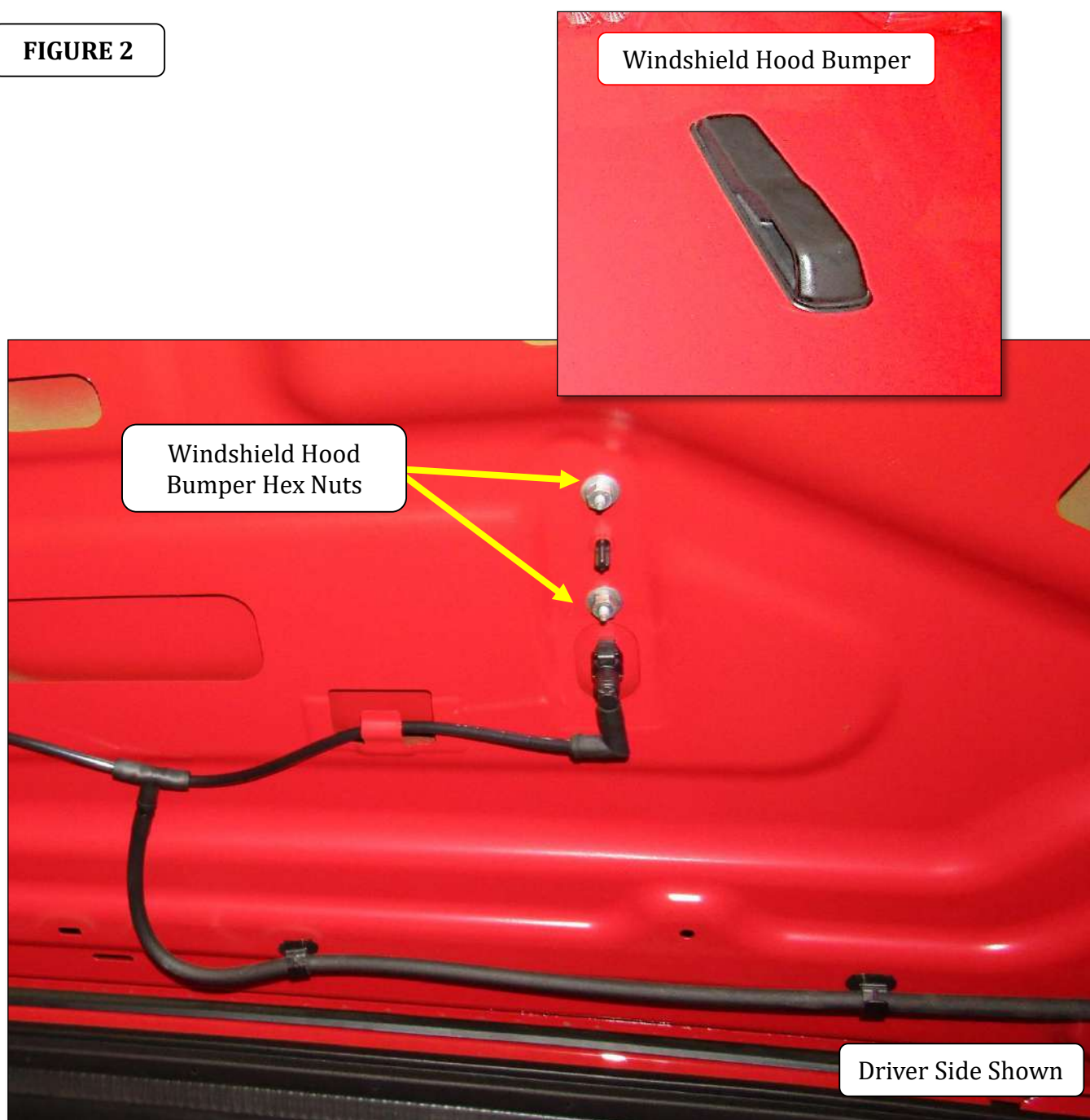


GORRHINO[®]

INSTALLATION INSTRUCTIONS

Step-3 Beginning on the driver side of the vehicle, Using an 9mm socket and ratchet, remove the (2) nuts from the studs securing the windshield hood bumper to the top of the hood, (FIGURE 2).

FIGURE 2



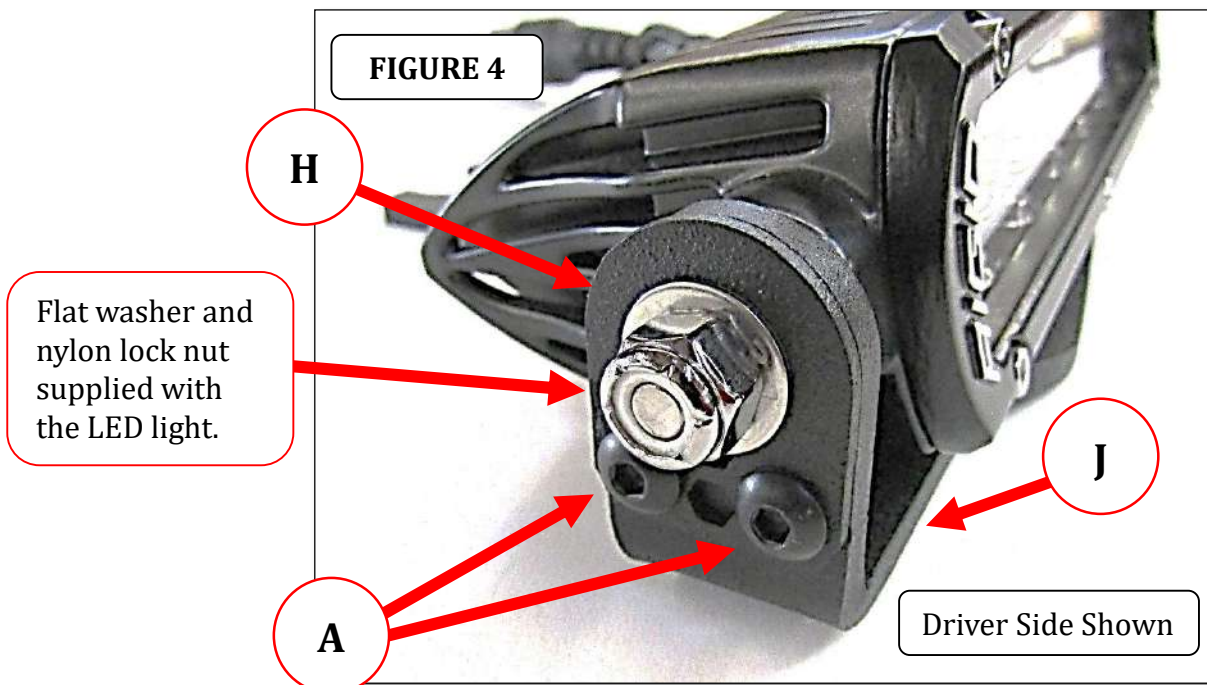
GO RHINO®

INSTALLATION INSTRUCTIONS

Step-4 Position the LED light on the driver side center hood mount bracket, so the studs of the light protrude out the side of the bracket, (FIGURE 3).



Step-5 Install (1) retainer plate and (2) 10-32 x 1/4" button head hex drive screws to each side of the driver side center hood mount bracket to secure the LED light, then install the flat washers and nylon lock nuts supplied with the LED light, (FIGURE 4). Tighten the screws securing the retainer plates, and snug but do not tighten the nylon lock nuts.

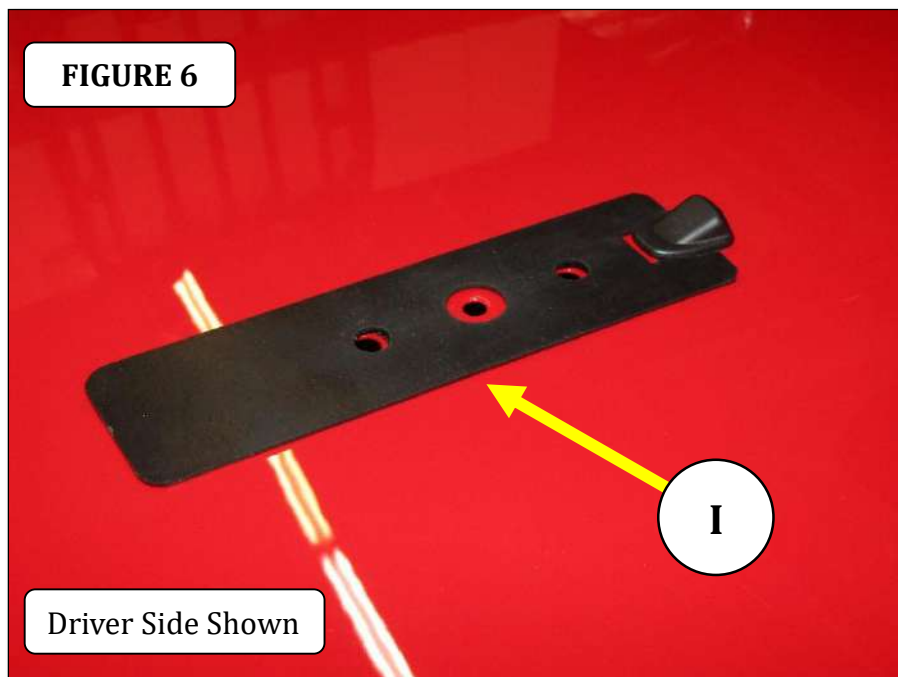
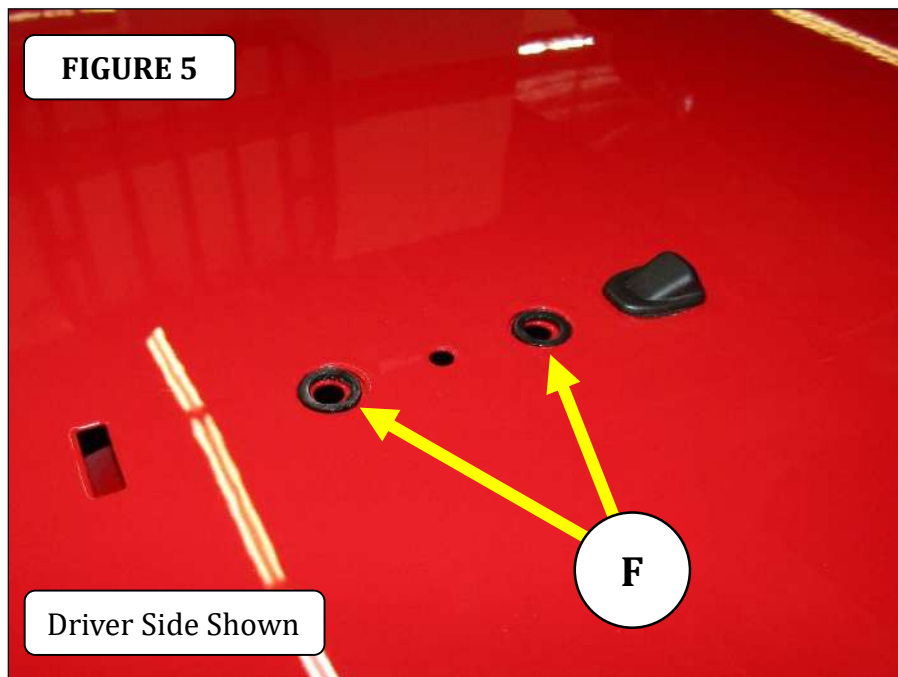


GORRHINO[®]

INSTALLATION INSTRUCTIONS

Step-6 Lower the hood and position (1) 5/16" plastic flat washer in the recess of each attachment hole used for the hood bumper, (FIGURE 5).

Step-7 Place one of the rubber gaskets on top of the hood, and align the holes in the gasket with the hood bumper attachment holes, (FIGURE 6). Note the rubber gasket perimeter should match the bottom of the driver side center hood mount bracket.



GO RHINO®

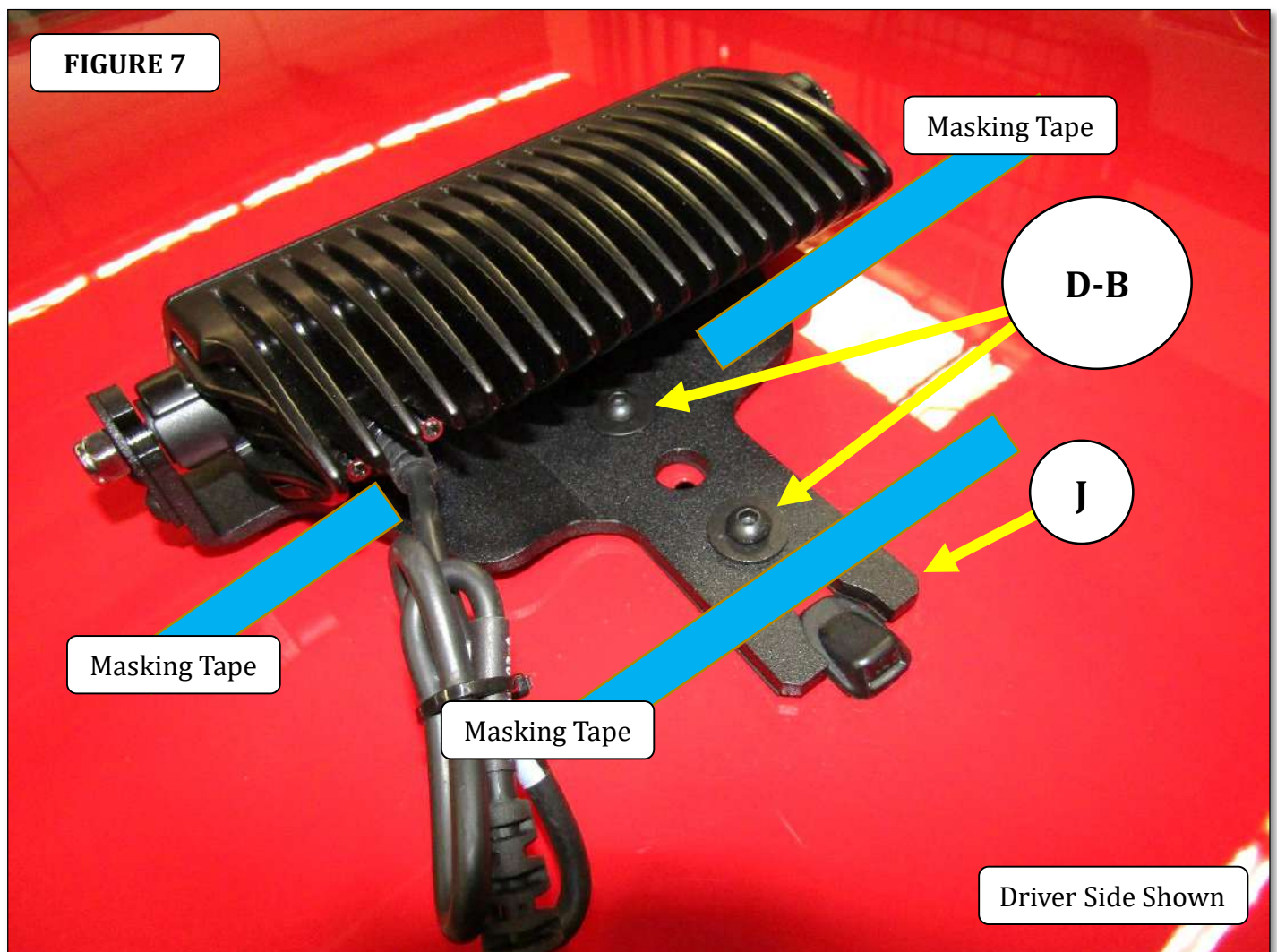
INSTALLATION INSTRUCTIONS

Step-8 Position the center hood mount bracket assembly on top of the rubber gasket, (FIGURE 7).

Step-9 Assemble (2) of the 1/4" x 3/4" button head screws and 1/4" flat washers, then install the screws in the holes of the hood mount bracket, (FIGURE 7).

Step-10 Apply strips of masking tape to hold the hood mount bracket and rubber gasket in place on the hood, (FIGURE 7).

Step-11 Check that the masking tape is securing the bracket and gasket assembly, then Carefully open the hood.

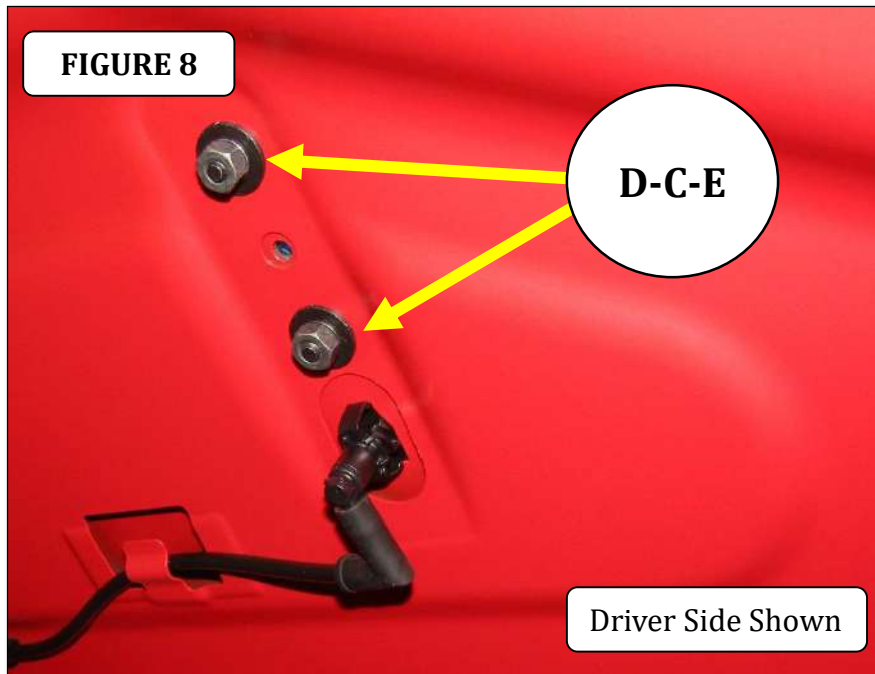


GO RHINO®

INSTALLATION INSTRUCTIONS

Step-12 While holding down on the button head screws from the top, install ¼" flat washers, ¼" lock washers and ¼" hex nuts on to the ¼" button head screws, (FIGURE 8). Tighten the nuts and screws.

Step-13 Adjust the LED light so the lens is in the desired position, then tighten the (2) nuts securing the LED light to the center hood mount bracket (FIGURE 9).



Step-14 Repeat the above steps to install the LED light and bracket assembly on the passenger side of the vehicle. Re-install the insulator panel to the underside of the hood using the supplied plastic tree clips.

Check out the collection of off-road lights we offer.