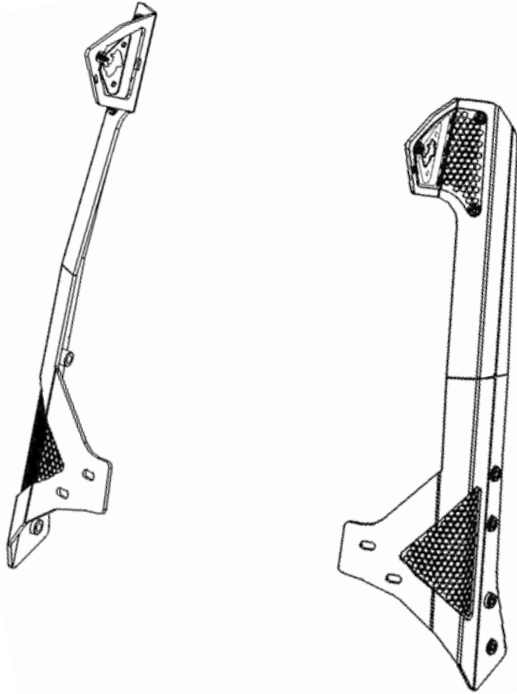


GO RHINO®

INSTALLATION INSTRUCTIONS



PART NO.

- 730503T

PRODUCT DESCRIPTION:

- XE SERIES 50" WINDSHIELD LIGHT FRAME

APPLICATION:

- JEEP WRANGLER JK

PRODUCT SAFETY & LEGAL DISCLAIMER

- **IMPORTANT READ ALL INSTRUCTIONS CAREFULLY BEFORE INSTALLING, FAILURE TO DO SO MAY CAUSE PERSONAL INJURY OR DAMAGE TO PRODUCT AND/OR PROPERTY.**
- **Review the product package and contents prior to beginning the installation.** Take care when opening the packaging and removing items. If a return is needed you will want to return the product in its original packaging if possible.
- This instruction guide is provided as a GENERAL installation guide, some vehicles vary dimensionally and may require additional steps.
- Test fit the product on the vehicle prior to any third party modifications and or finishing. The manufacturer and/or distributors do not accept responsibility for third party charges, labor and or third part replacement modifications. Some modifications may void the factory warranty.
- Exercise due-diligence when installing this product. The manufacturer and distributors of this product do not accept any responsibility for vehicle damage or personal injury resulting from the installation of this product. Careless installation and operation can result in serious injury or equipment damage.
- This product is for general off-road use. All liability for installation and use rests with the owner/operator.
- **INSTALLER:** Once installation is complete, please return this guide along with other documentation included in this product back to the consumer for future reference. The manufacturer/distributors of this product do not guarantee this particular version will be available at a later date.



INSTALLATION INSTRUCTIONS

INJURY HAZARD

Please complete a shop and tool inspection prior to beginning the installation.

- Always make sure you have a clean, dry and well lit work area.
- Always remove jewelry, loose fitting clothing and wear protective gloves and eye protection.
- Always use extreme caution when jacking or raising a vehicle for work. Set the emergency brake and use tire/wheel blocks and jack stands. Refer to the vehicle manufacturer hand book. Utilize the vehicle manufacturers designated lifting points.
- Always use appropriate and adequate care in lifting parts during disassembly and installation. Seek help in lifting heavy or large items into place. Utilize jacks and or lifting devices when available.
- Always insure products are secure during disassembly and installation.
- Always wear eye protection and take steps to protect any exposed skin during the installations. Drilling, cutting and grinding plastic and metal may create flying particles that can cause injury.
- Always use extreme caution when drilling, cutting and or grinding on a vehicle. Thoroughly inspect the area to be drilled, on both sides of material, prior to modification and relocate any objects that may become damaged.
- Always assemble and tighten all fasteners per the installation instructions.
- Always route electrical cables carefully. Avoid moving parts, parts that may become hot and rough or sharp edges.
- Always insulate and protect all exposed wiring and electrical connections.

MAINTENANCE AND CARE

- Always perform regular inspections and maintenance on mounts and related fasteners.
- Periodically check and tighten all fasteners.
- Stripped, fractured, or bent fasteners must be replaced.
- After washing the vehicle make sure to fully dry all surfaces.
- In areas with cold temperatures make sure to wash the product often to remove harmful materials used on road ways.
- Never use abrasive cleaners or polish compounds. Clean with a gentle soap and water. If you use wax use a non-abrasive automotive wax such as pure carnauba wax.

WARNING

Some products have been designed to work together with factory rear sensor systems, factory forward facing sensor systems and factory air bags.

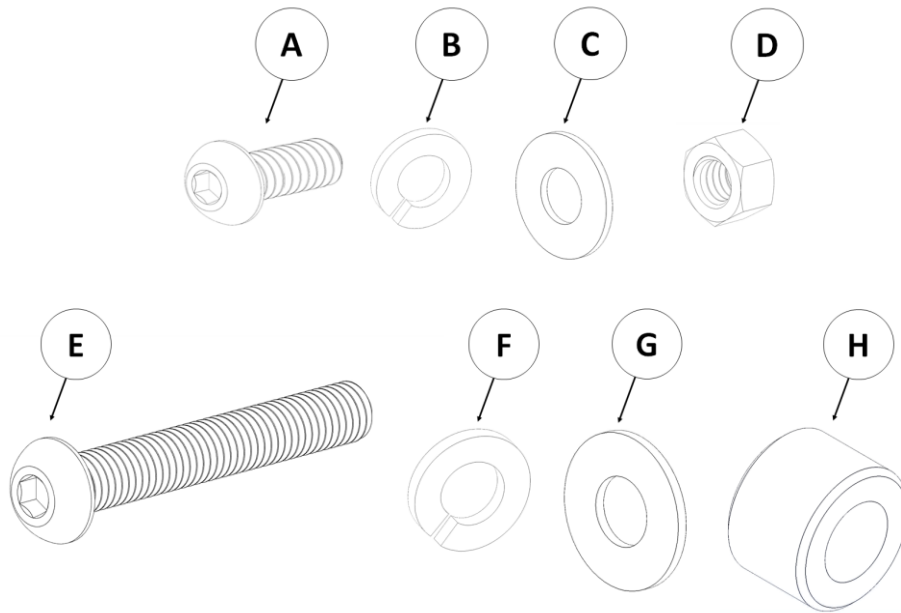
- Installation of some of these products may alter the factory sensor system performance.
- Factory sensors may read shackles or hooks protruding from the fairlead and or tow hooks.
- All sensor testing is completed by Go Rhino Products and or third party testing labs on modified vehicles.
- Sensor sensitivity, factory sensor housing, orientation, and operating conditions are all variables that will influence functionality of the sensors.
- Installation of some product may effect the factory air bag systems.
- Some products allow the use of third party products such as winches, shackles, hooks, etc. Follow the respective manufacturers operating instructions for use with our products.
- Make sure to fully understand the product, it's intended use and operation prior to use.
- Above all... be safe!



INSTALLATION INSTRUCTIONS

PARTS INCLUDED IN THIS LIST:

ITEM	QTY.	PART NUMBER	DESCRIPTION	TORQUE	ITEM	QTY.	PART NUMBER	DESCRIPTION	TORQUE
A	8	AST-T835	1/4" X 3/4" Button Head Screw	9 ft-lbs	E	12	AST-T844	M8 x 55mm Button Head Screw	18 ft-lbs
B	8	AST-RPR70	1/4" Lock Washer		F	12	AST-RPR71	M8 Lock Washer	
C	8	AST-RP1117	1/4" Flat Washer		G	12	AST-RP117	M8 Flat Washer	
D	4	AST-TU79	1/4" Hex Nut	9 ft-lbs	H	8	ASM-730503T8BA	Spacer	



TOOLS NEEDED FOR INSTALLATION:

- T40 Torx Bit Socket , 5mm, & 5/32" Hex Bit Socket
- Ratchet & Extension

ESTIMATED TIME FOR INSTALLATION:

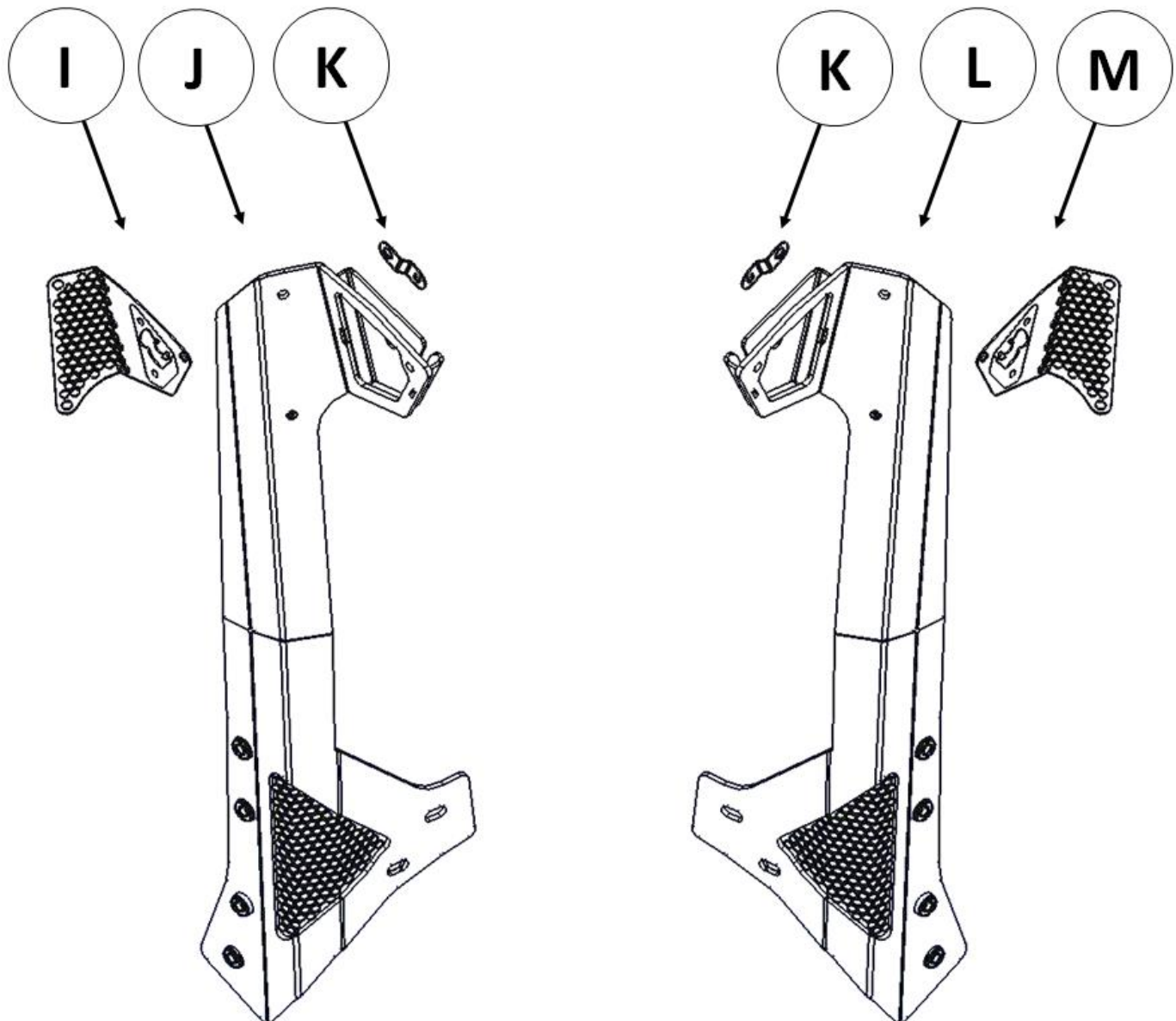
1 Hour

GORRHINO[®]

INSTALLATION INSTRUCTIONS

PARTS INCLUDED IN THIS LIST:

ITEM	QTY.	PART NUMBER	DESCRIPTION	ITEM	QTY.	PART NUMBER	DESCRIPTION
I	1		Logo Plate (Passenger)	L	1		Light Frame Upright (Driver)
J	1		Light Frame Upright (Passenger)	M	1		Logo Plate (Driver)
K	2		Retainer Bracket				

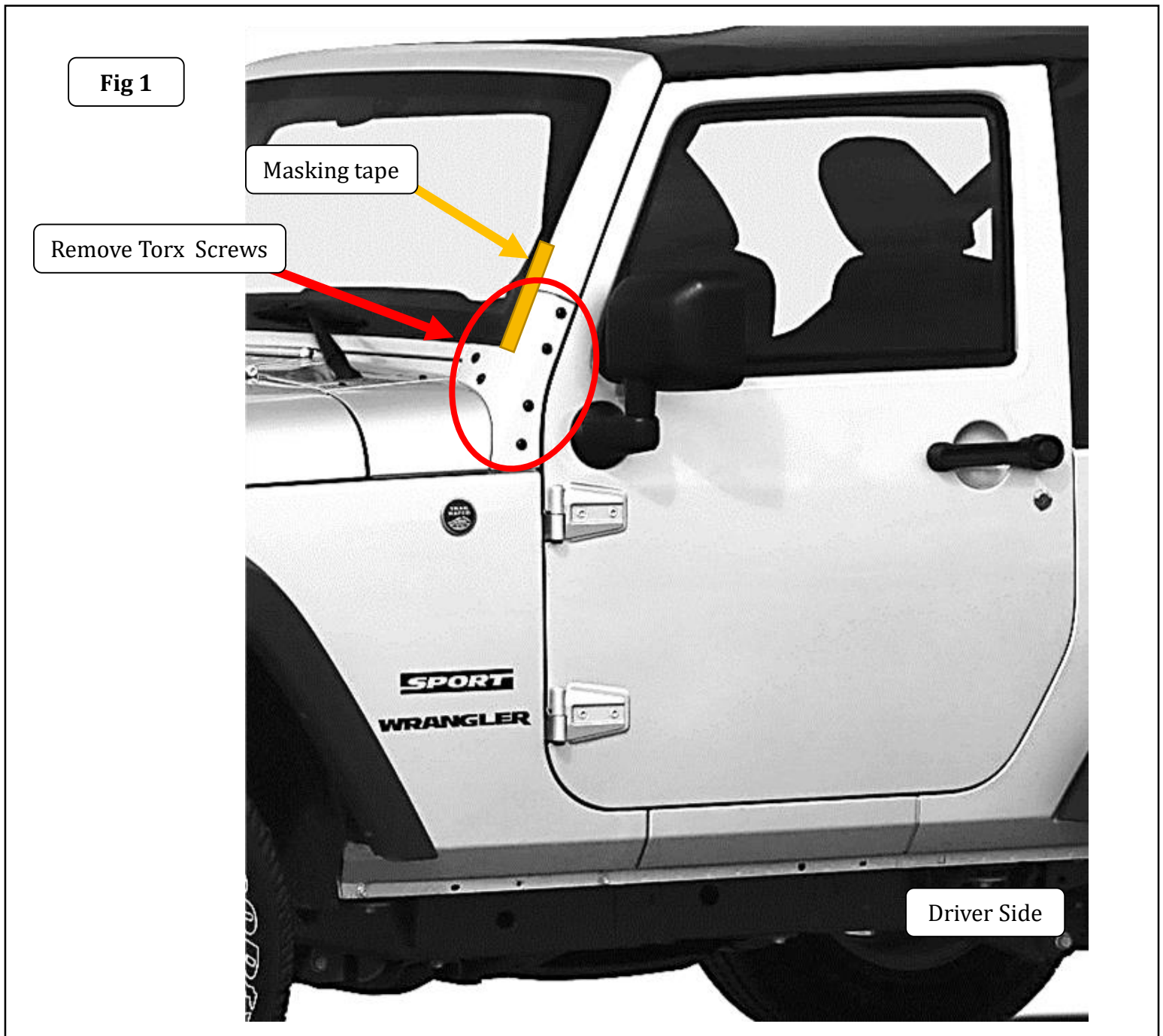


GO RHINO®

INSTALLATION INSTRUCTIONS

Step-1 On the driver side of the vehicle, use a T-40 Torx bit socket and remove the (6) Torx screws attaching the windshield bracket to the body structure, (Fig 1). Discard the Torx screws.

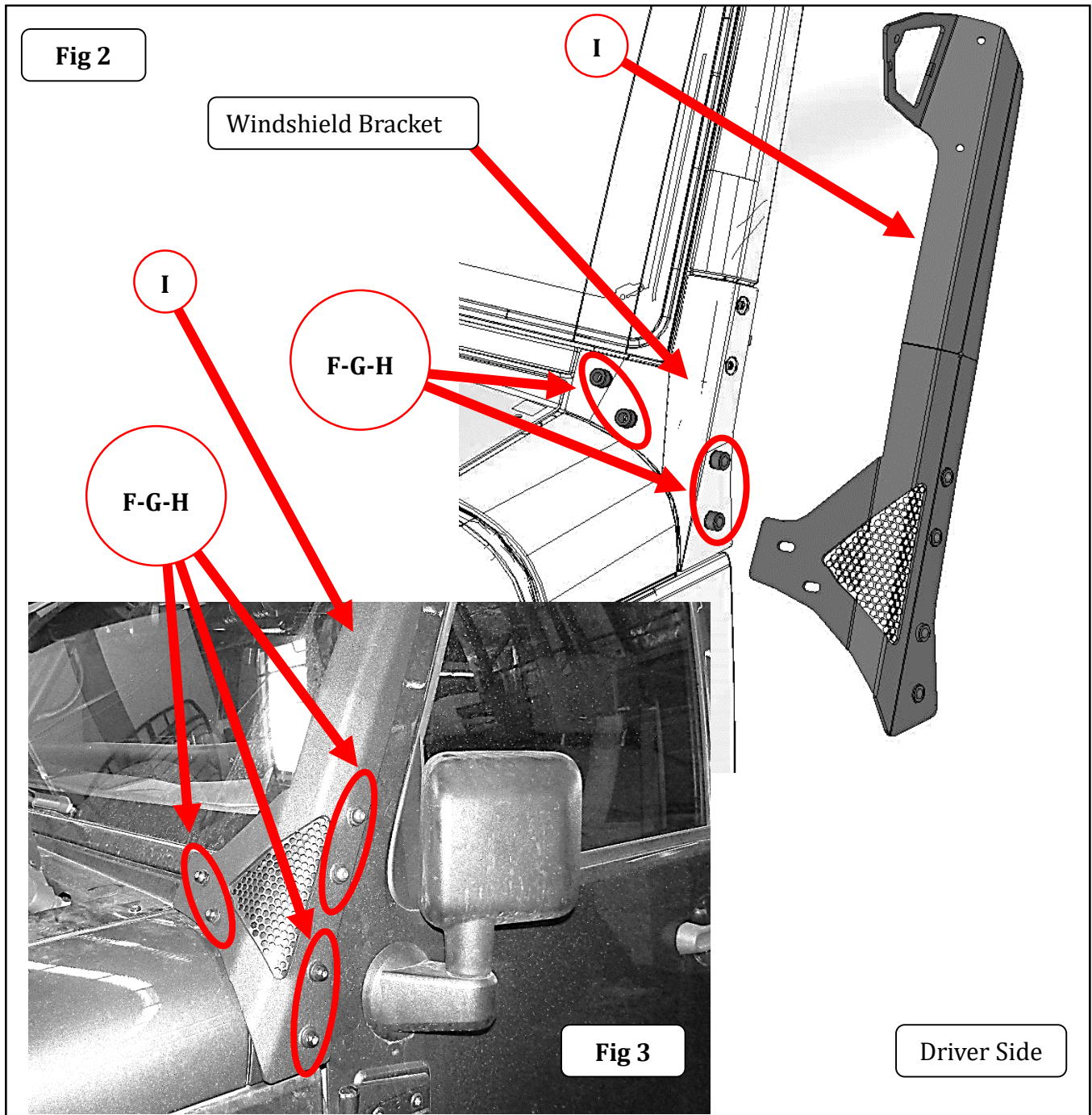
Note: Apply a strip of masking tape to temporarily secure the windshield bracket in place.



GO RHINO®

INSTALLATION INSTRUCTIONS

Step-2 Place the lower end of the driver side light frame upright up to the windshield bracket. Align the attachment holes in the light frame upright with the windshield bracket attachment holes and position (4) of the spacers between the light frame upright and the windshield bracket at the locations shown, then Install (6) M8 x 55MM button head screws (6) M8 lock washers and (6) M8 flat washers to secure the light frame upright and windshield bracket to the vehicle (Fig 2 & 3). Snug but do not tighten the screws. Repeat for the passenger side light frame upright.

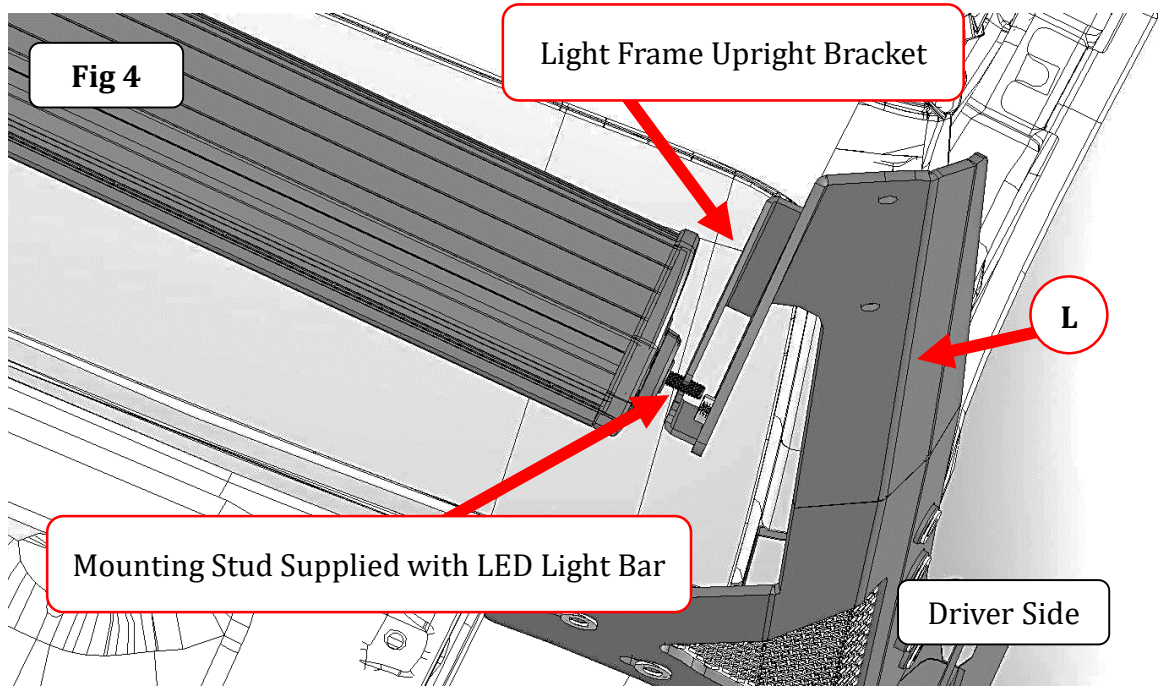


GO RHINO®

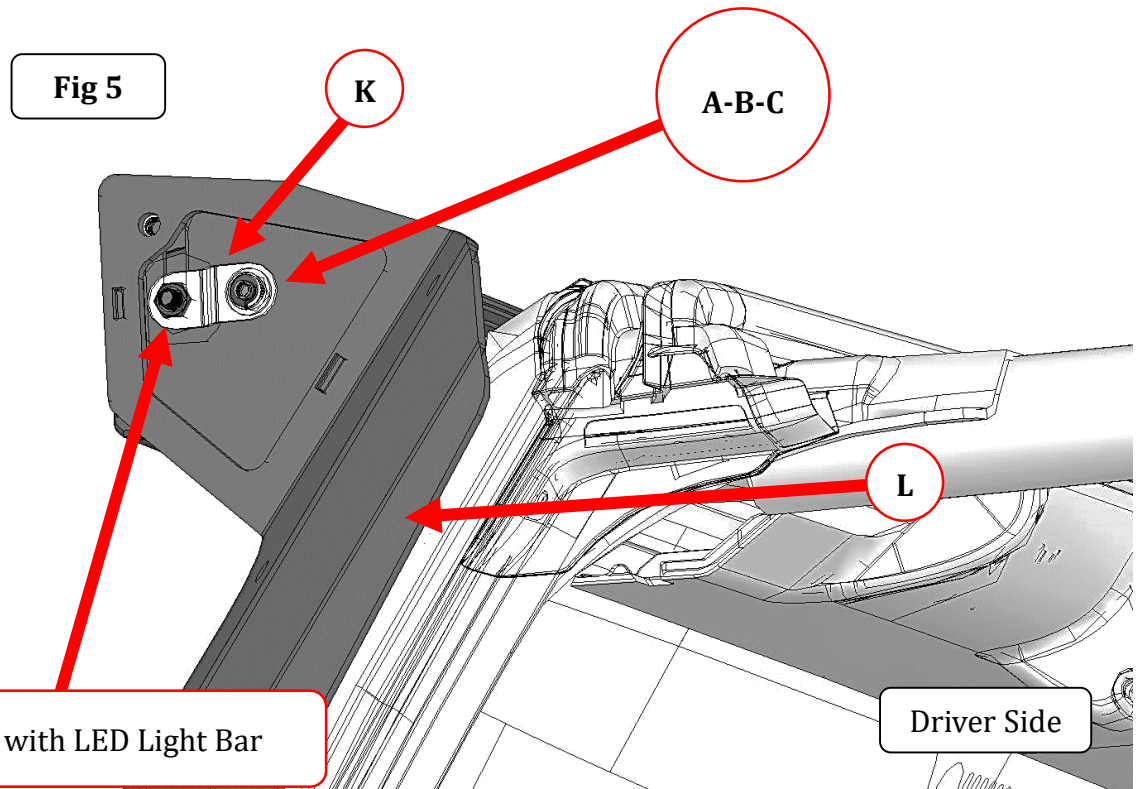
INSTALLATION INSTRUCTIONS

Step-3 With assistance, Place the led light bar between the light frame uprights, then lower the light bar into position so the shank of each mounting stud is in the slot of the light frame upright bracket, (Fig 4).

Note: Different attachment fasteners and the addition of spacers (supplied by the end user) may be required due to the dimensional and attachment variation between light bar brands.



Step-4 Attach a retainer plate to the light bar mounting stud using the fasteners included with the light bar, and attach the opposite end of the retainer plate to the light frame upright using (1) 1/4" x 3/4" button head screw, (1) 1/4" lock washer and (1) 1/4" flat washer, (Fig 5). Repeat for the passenger side.

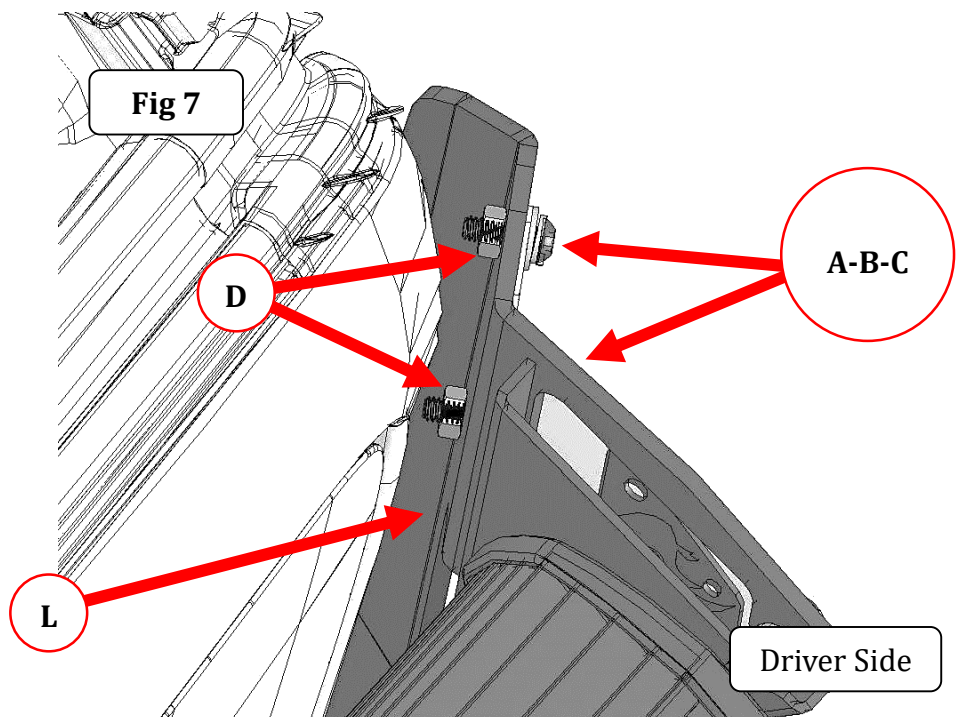
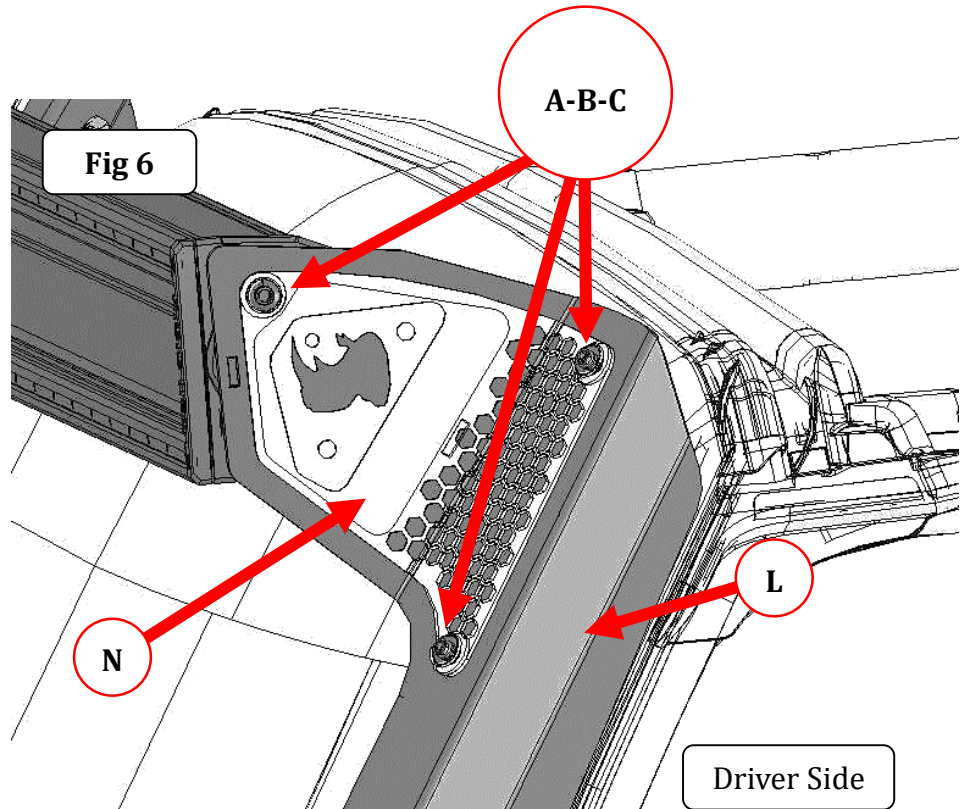


GO RHINO®

INSTALLATION INSTRUCTIONS

Step-5 Adjust the Led light bar to the desired position then tighten the nuts and screws securing the the LED light bar and retainer plates to the light frame uprights. Next tighten the M8 screws securing each light frame upright to the vehicle.

Step-6 Attach the mesh logo plate to the driver side light frame upright using (3) 1/4" x 3/4" button head screws, (3) 1/4" lock washer, (3) 1/4" flat washers and (2) 1/4" hex nuts, (Fig 6 & 7). Tighten the screws. Repeat to install the logo plate on the passenger side light frame upright.



GORRHINO[®]

INSTALLATION INSTRUCTIONS



Learn more about off-road lights on our website.