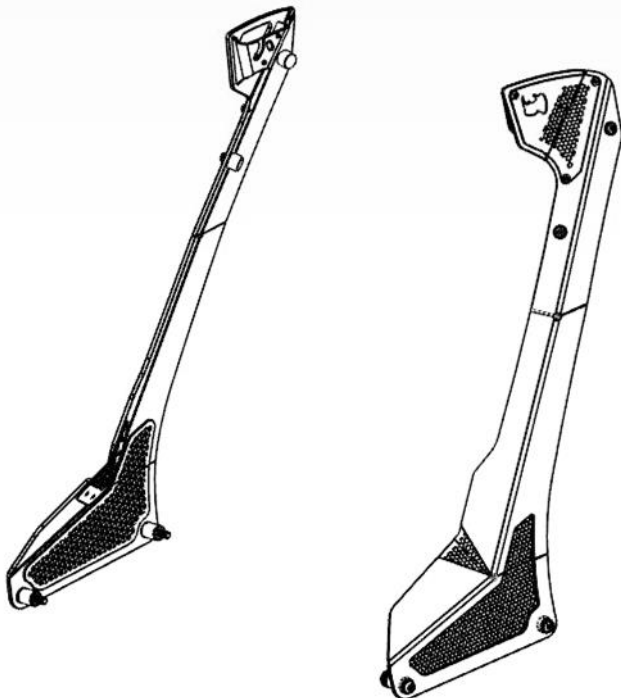


GO RHINO®

INSTALLATION INSTRUCTIONS



PART NO.

- 730500T

PRODUCT DESCRIPTION:

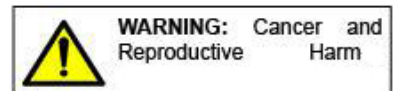
- XE SERIES 50" WINDSHIELD LIGHT FRAME

APPLICATION:

- JEEP WRANGLER JL & GLADIATOR JT

PRODUCT SAFETY & LEGAL DISCLAIMER

- **IMPORTANT READ ALL INSTRUCTIONS CAREFULLY BEFORE INSTALLING, FAILURE TO DO SO MAY CAUSE PERSONAL INJURY OR DAMAGE TO PRODUCT AND/OR PROPERTY.**
- **Review the product package and contents prior to beginning the installation.** Take care when opening the packaging and removing items. If a return is needed you will want to return the product in its original packaging if possible.
- This instruction guide is provided as a GENERAL installation guide, some vehicles vary dimensionally and may require additional steps.
- Test fit the product on the vehicle prior to any third party modifications and or finishing. The manufacturer and/or distributors do not accept responsibility for third party charges, labor and or third part replacement modifications. Some modifications may void the factory warranty.
- Exercise due-diligence when installing this product. The manufacturer and distributors of this product do not accept any responsibility for vehicle damage or personal injury resulting from the installation of this product. Careless installation and operation can result in serious injury or equipment damage.
- This product is for general off-road use. All liability for installation and use rests with the owner/operator.
- **INSTALLER:** Once installation is complete, please return this guide along with other documentation included in this product back to the consumer for future reference. The manufacturer/distributors of this product do not guarantee this particular version will be available at a later date.





INSTALLATION INSTRUCTIONS

INJURY HAZARD

Please complete a shop and tool inspection prior to beginning the installation.

- Always make sure you have a clean, dry and well lit work area.
- Always remove jewelry, loose fitting clothing and wear protective gloves and eye protection.
- Always use extreme caution when jacking or raising a vehicle for work. Set the emergency brake and use tire/wheel blocks and jack stands. Refer to the vehicle manufacturer hand book. Utilize the vehicle manufacturers designated lifting points.
- Always use appropriate and adequate care in lifting parts during disassembly and installation. Seek help in lifting heavy or large items into place. Utilize jacks and or lifting devices when available.
- Always insure products are secure during disassembly and installation.
- Always wear eye protection and take steps to protect any exposed skin during the installations. Drilling, cutting and grinding plastic and metal may create flying particles that can cause injury.
- Always use extreme caution when drilling, cutting and or grinding on a vehicle. Thoroughly inspect the area to be drilled, on both sides of material, prior to modification and relocate any objects that may become damaged.
- Always assemble and tighten all fasteners per the installation instructions.
- Always route electrical cables carefully. Avoid moving parts, parts that may become hot and rough or sharp edges.
- Always insulate and protect all exposed wiring and electrical connections.

MAINTENANCE AND CARE

- Always perform regular inspections and maintenance on mounts and related fasteners.
- Periodically check and tighten all fasteners.
- Stripped, fractured, or bent fasteners must be replaced.
- After washing the vehicle make sure to fully dry all surfaces.
- In areas with cold temperatures make sure to wash the product often to remove harmful materials used on road ways.
- Never use abrasive cleaners or polish compounds. Clean with a gentle soap and water. If you use wax use a non-abrasive automotive wax such as pure carnauba wax.

WARNING

Some products have been designed to work together with factory rear sensor systems, factory forward facing sensor systems and factory air bags.

- Installation of some of these products may alter the factory sensor system performance.
- Factory sensors may read shackles or hooks protruding from the fairlead and or tow hooks.
- All sensor testing is completed by Go Rhino Products and or third party testing labs on modified vehicles.
- Sensor sensitivity, factory sensor housing, orientation, and operating conditions are all variables that will influence functionality of the sensors.
- Installation of some product may effect the factory air bag systems.
- Some products allow the use of third party products such as winches, shackles, hooks, etc. Follow the respective manufacturers operating instructions for use with our products.
- Make sure to fully understand the product, it's intended use and operation prior to use.
- Above all... be safe!

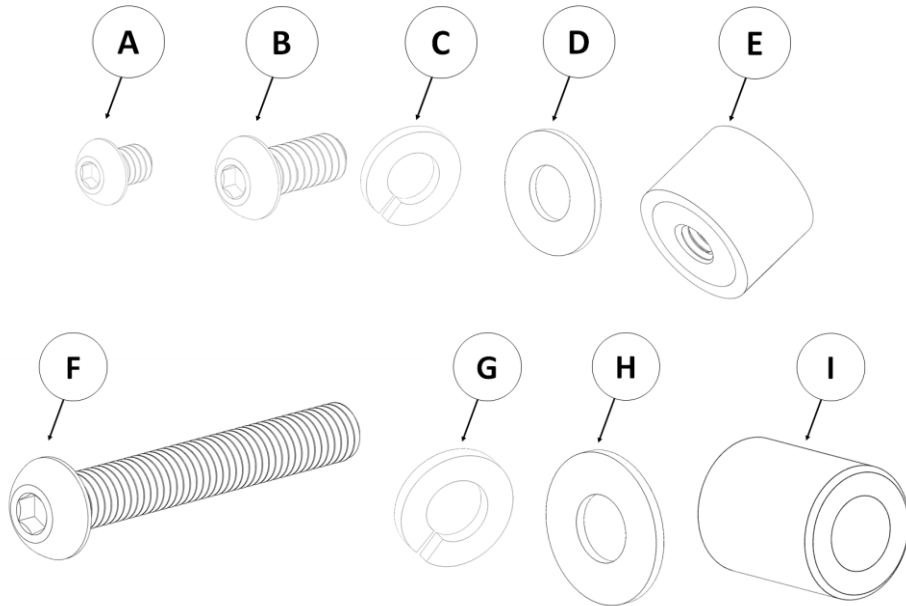
GO RHINO®

INSTALLATION INSTRUCTIONS

PARTS INCLUDED IN THIS LIST:

ITEM	QTY.	PART NUMBER	DESCRIPTION	TORQUE	ITEM	QTY.	PART NUMBER	DESCRIPTION	TORQUE
*A	10	AST-T841	10-32 x 1/4" Button Head Screw	4 ft-lbs	F	4	AST-T844G4	M8 x 55mm Button Head Screw	18 ft-lbs
*B	4	AST-T902	1/4" x 5/8" Button Head Screw	9 ft-lbs	G	4	AST-RPR71G4	M8 Lock Washer	
*C	4	AST-RPR70	1/4" Lock Washer		H	4	AST-RP117G4	M8 Flat Washer	
*D	4	AST-RP1117	1/4" Flat Washer		I	4	701001T8CA	Spacer	
*E	4	ASH-E232	Rubber Bumper						

* Item Pre-Assembled



Go Rhino recommends you, the installer, read this installation instruction manual from front to back before installing the product.

TOOLS NEEDED FOR INSTALLATION:

- T40 Torx Bit Socket , 5mm, 1/8" & 5/32" Hex Bit Socket
- Ratchet & Extension

ESTIMATED TIME FOR INSTALLATION:

1 Hour

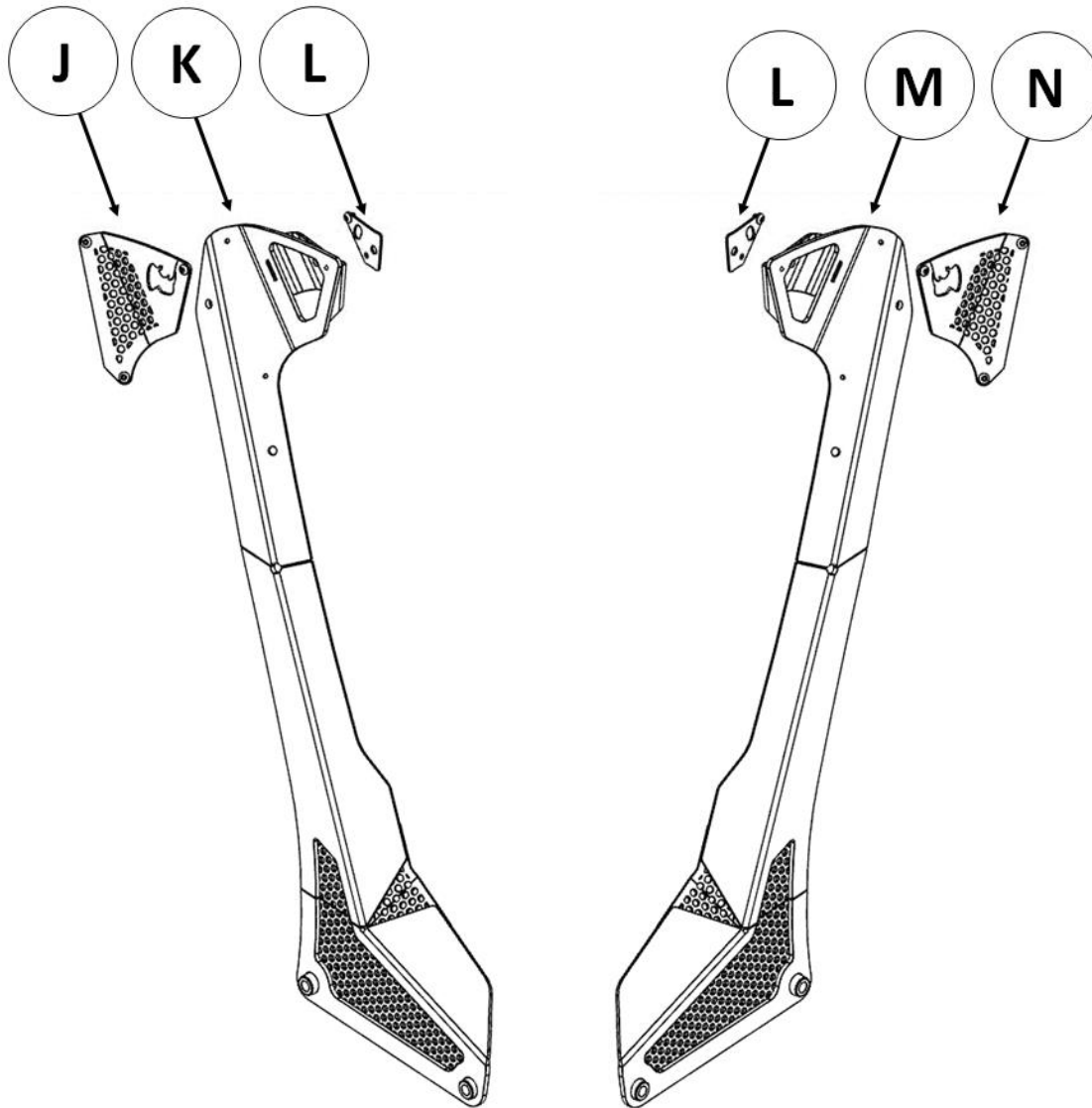
GO RHINO®

INSTALLATION INSTRUCTIONS

PARTS INCLUDED IN THIS LIST:

ITEM	QTY.	PART NUMBER	DESCRIPTION	ITEM	QTY.	PART NUMBER	DESCRIPTION
*J	1	730500T0BA	Logo Plate (Passenger)	M	1	730500T0AA	Light Frame Upright (Driver)
K	1	730500T0AA	Light Frame Upright (Passenger)	*N	1	730500T0BA	Logo Plate (Driver)
*L	2	730500T5BA	Retainer Bracket				

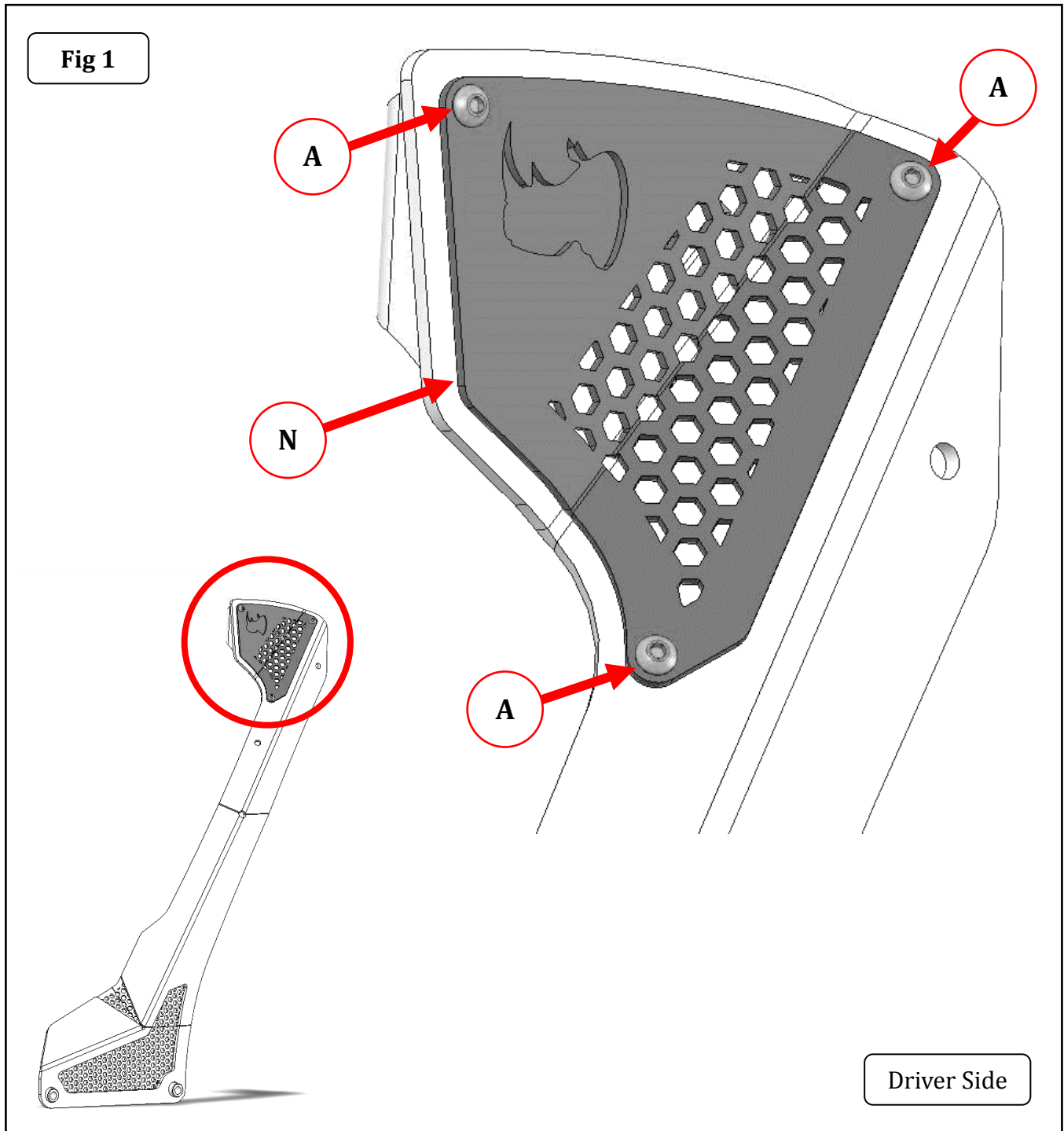
* Item Pre-Assembled





INSTALLATION INSTRUCTIONS

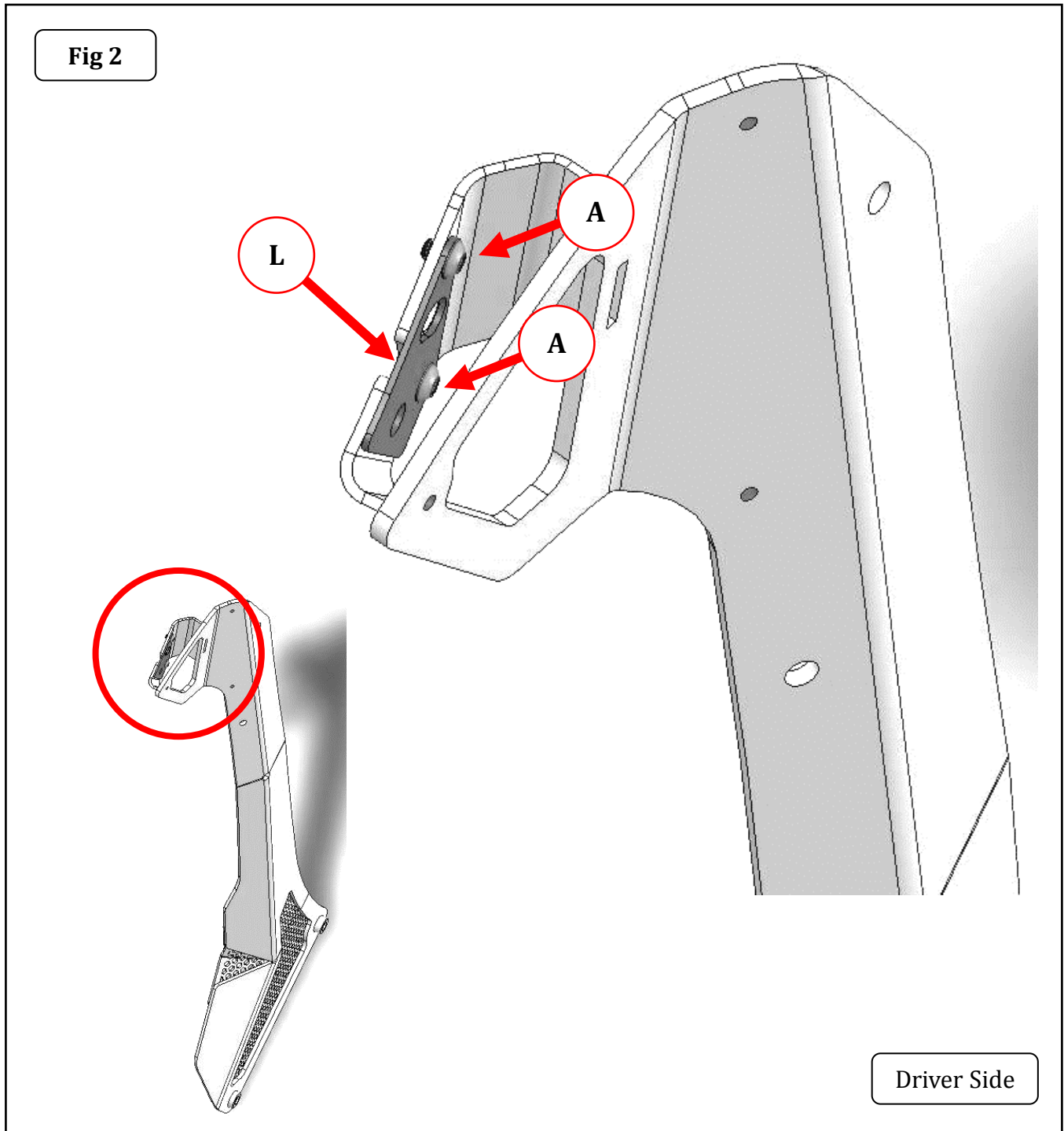
Step-1 The pre-installed mesh logo plate and retainer plate need to be removed from each light frame upright. Using a 1/8" hex bit socket, remove the (3) button head screws securing the mesh logo plate from each light frame upright, (Fig 1). Set aside the mesh logo plates and screws for re-installation later.



GORRHINO®

INSTALLATION INSTRUCTIONS

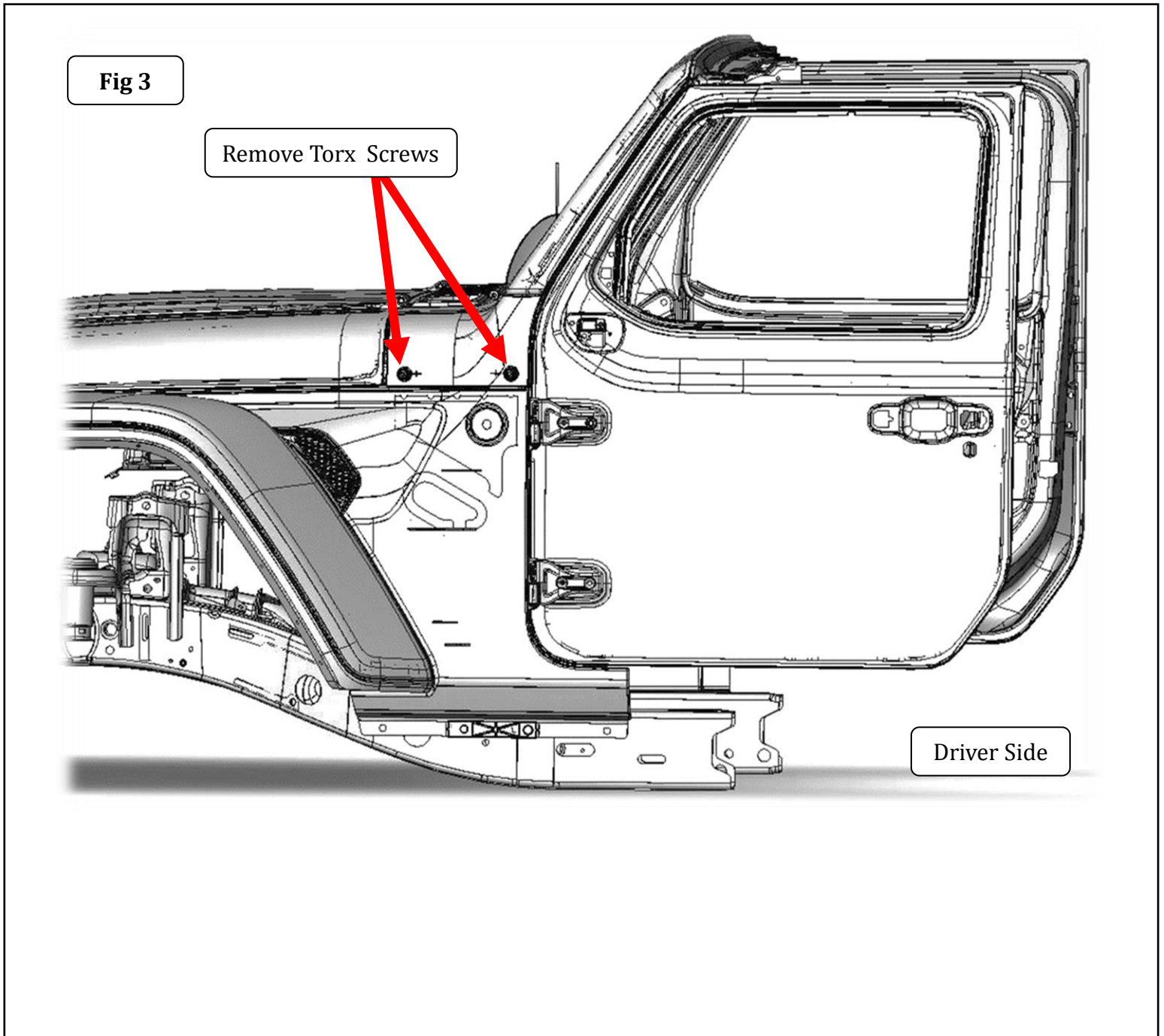
Step-2 Using a 1/8" hex bit socket, remove the (2) 10-32 x 1/4" button head screws securing the retainer plate from each light frame upright, (Fig 2). Set aside the retainer plates and screws for re-installation later.



GO RHINO®

INSTALLATION INSTRUCTIONS

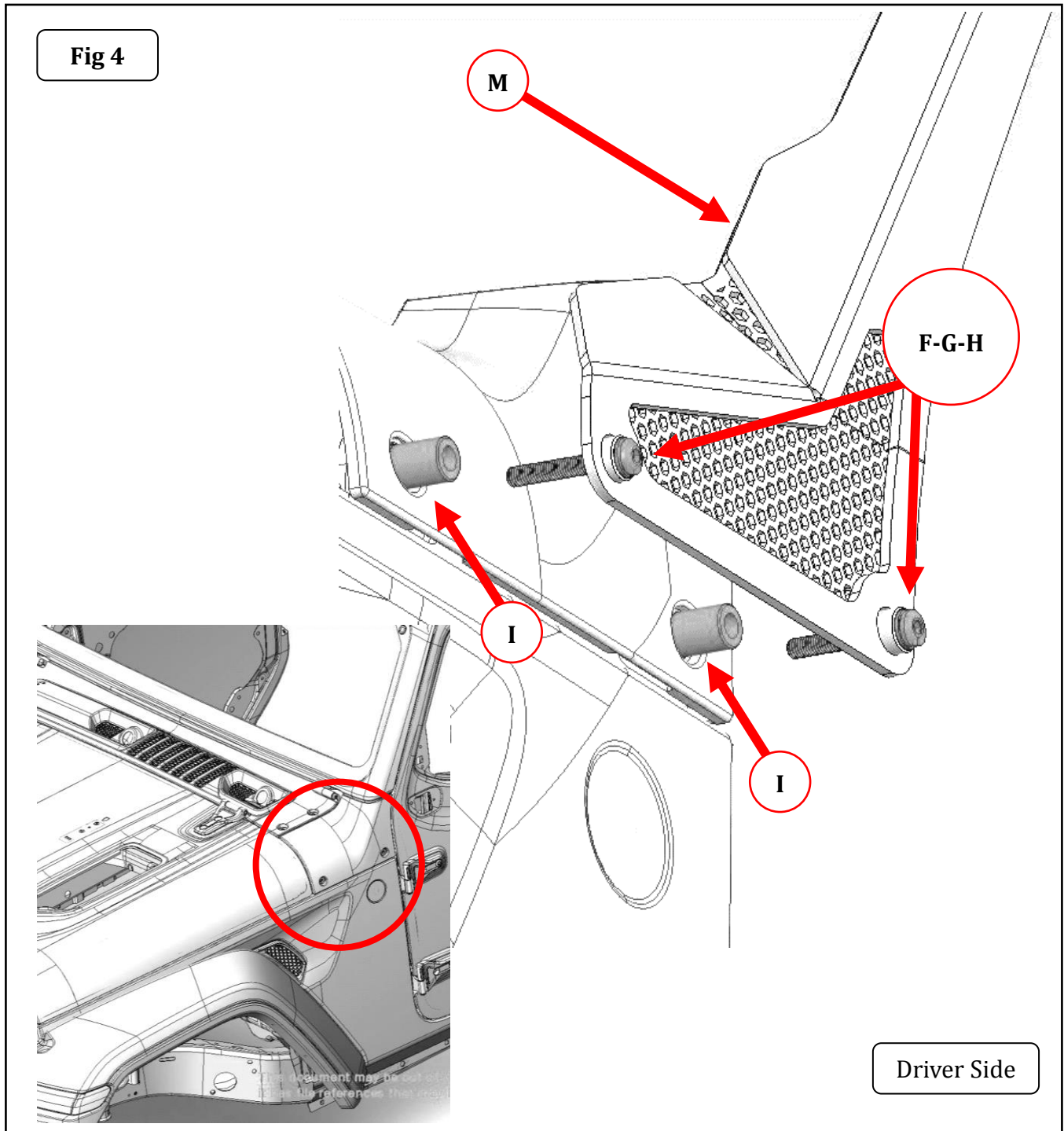
Step-3 On the driver side of the vehicle, use a T-50 Torx bit socket and remove the (2) Torx screws securing the cowl, (Fig 3). Discard the Torx screws.



GO RHINO®

INSTALLATION INSTRUCTIONS

Step-4 Position the driver side light frame upright, up to the side of the vehicle. Align the (2) holes in the light frame upright and (2) of the spacers with the cowl attachment holes then attach the light frame upright to the vehicle using (2) M8 x 55mm button head hex drive screws, (2) M8 lock washers and (2) M8 flat washers, (Fig 4). Snug but do not tighten the screws. Repeat for the passenger side light frame upright.



GO RHINO®

INSTALLATION INSTRUCTIONS

Step-5 On each side of the LED light bar, loosely assemble a retainer plate removed in step 2 and the screw included with the Led light bar (Fig 5).

Fig 5

Screw Supplied with LED Light Bar

L

Step-6 With assistance, Place the led light bar between the light frame uprights, (Fig 6) then lower the light bar into position so the shank of each attachment screw is in the slot of, and each retainer plate is on the outward side of the light frame upright bracket.

Note: Different length attachment screws and the addition of spacers (supplied by the end user) may be required due to the dimensional and attachment variation between light bar brands.

Fig 6

Light Frame Upright Bracket

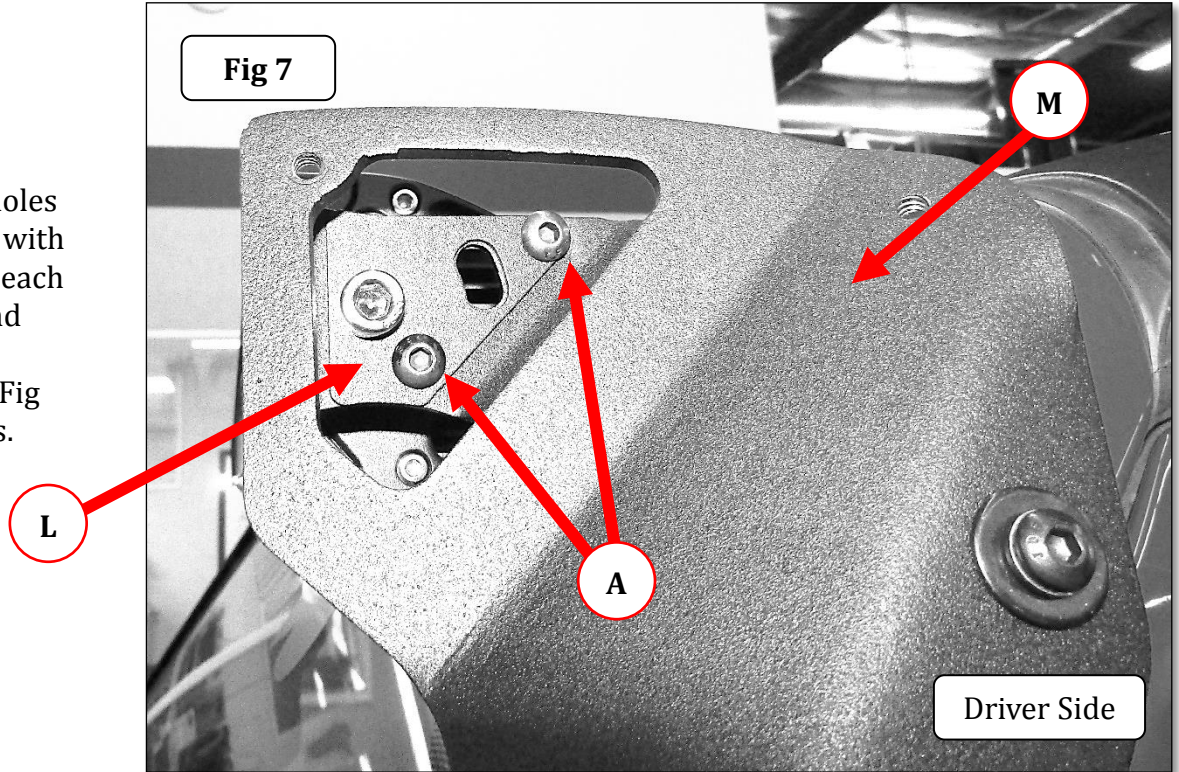
L

Driver Side

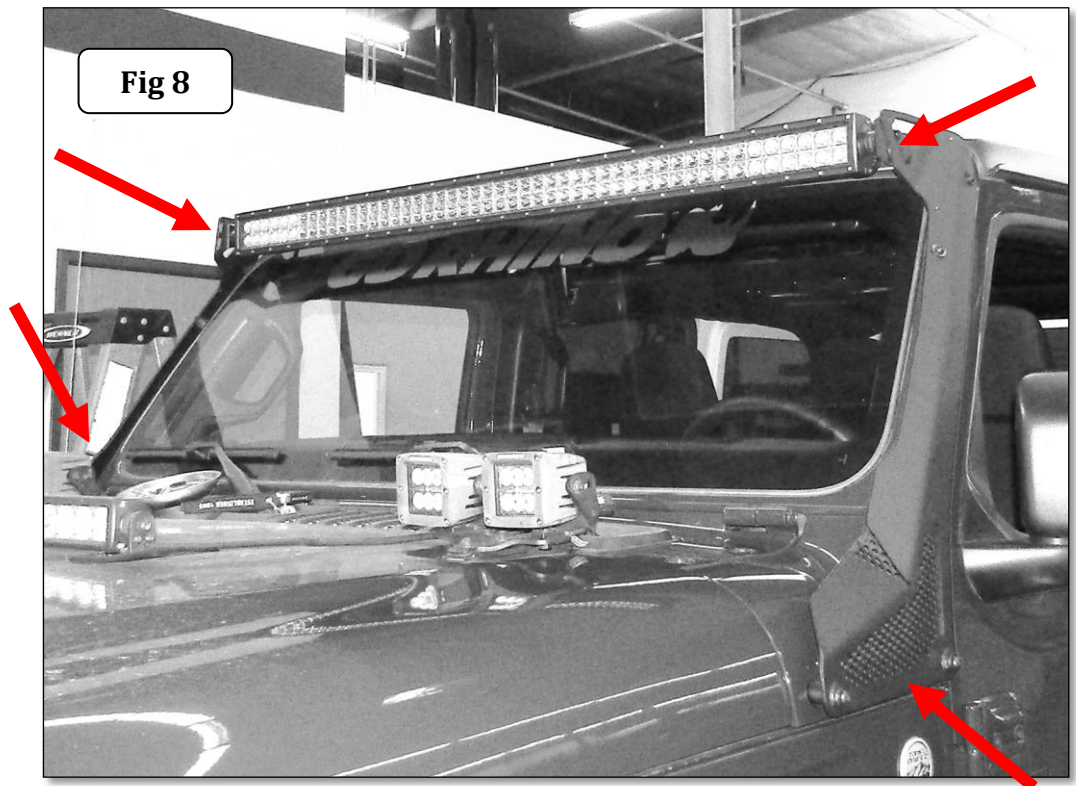
GO RHINO®

INSTALLATION INSTRUCTIONS

Step-7 Align the (2) holes in each retainer plate with the threaded holes in each light frame upright and install (2) 10-32 x ¼" button head screws, (Fig 7). Tighten the screws.



Step-8 Adjust the Led light bar to the desired position then tighten the screws securing the the LED light bar to the light frame uprights. Next tighten the (2) M8 screws securing each light frame upright to the vehicle, (Fig 8).



GO RHINO®

INSTALLATION INSTRUCTIONS

Step-9 Align the (3) holes in each mesh logo plate with the threaded holes in each light frame upright and install (3) 10-32 X ¼" button head screws, (Fig 9). Tighten the screws.

