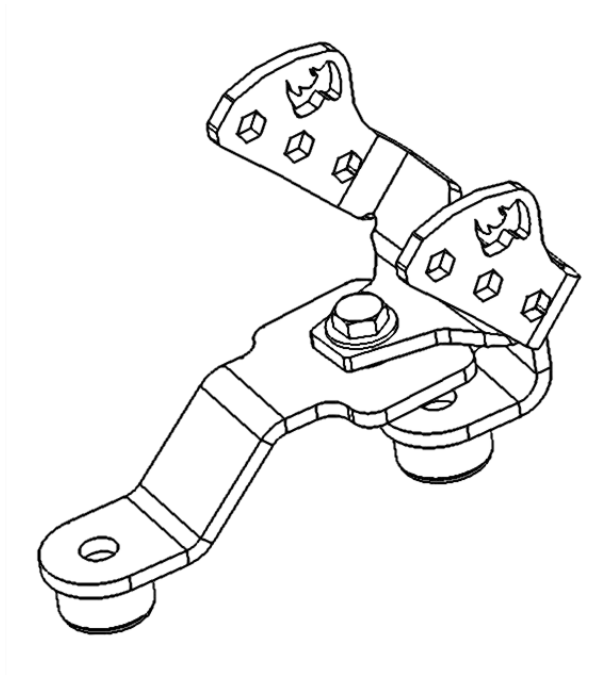


# GORRHINO®

## INSTALLATION INSTRUCTIONS



PART NO.

- 730030T

PRODUCT DESCRIPTION:

- WINDSHIELD COWL LIGHT MOUNT KIT, SINGLE DUALY

APPLICATION:

- JEEP WRANGLER JL

### PRODUCT SAFETY & LEGAL DISCLAIMER

- **IMPORTANT READ ALL INSTRUCTIONS CAREFULLY BEFORE INSTALLING, FAILURE TO DO SO MAY CAUSE PERSONAL INJURY OR DAMAGE TO PRODUCT AND/OR PROPERTY.**
- **Review the product package and contents prior to beginning the installation.** Take care when opening the packaging and removing items. If a return is needed you will want to return the product in its original packaging if possible.
- This instruction guide is provided as a GENERAL installation guide, some vehicles vary dimensionally and may require additional steps.
- Test fit the product on the vehicle prior to any third party modifications and or finishing. The manufacturer and/or distributors do not accept responsibility for third party charges, labor and or third part replacement modifications. Some modifications may void the factory warranty.
- Exercise due-diligence when installing this product. The manufacturer and distributors of this product do not accept any responsibility for vehicle damage or personal injury resulting from the installation of this product. Careless installation and operation can result in serious injury or equipment damage.
- This product is for general off-road use. All liability for installation and use rests with the owner/operator.
- **INSTALLER:** Once installation is complete, please return this guide along with other documentation included in this product back to the consumer for future reference. The manufacturer/distributors of this product do not guarantee this particular version will be available at a later date.



## INSTALLATION INSTRUCTIONS

### INJURY HAZARD

Please complete a shop and tool inspection prior to beginning the installation.

- Always make sure you have a clean, dry and well lit work area.
- Always remove jewelry, loose fitting clothing and wear protective gloves and eye protection.
- Always use extreme caution when jacking or raising a vehicle for work. Set the emergency brake and use tire/wheel blocks and jack stands. Refer to the vehicle manufacturer hand book. Utilize the vehicle manufacturers designated lifting points.
- Always use appropriate and adequate care in lifting parts during disassembly and installation. Seek help in lifting heavy or large items into place. Utilize jacks and or lifting devices when available.
- Always insure products are secure during disassembly and installation.
- Always wear eye protection and take steps to protect any exposed skin during the installations. Drilling, cutting and grinding plastic and metal may create flying particles that can cause injury.
- Always use extreme caution when drilling, cutting and or grinding on a vehicle. Thoroughly inspect the area to be drilled, on both sides of material, prior to modification and relocate any objects that may become damaged.
- Always assemble and tighten all fasteners per the installation instructions.
- Always route electrical cables carefully. Avoid moving parts, parts that may become hot and rough or sharp edges.
- Always insulate and protect all exposed wiring and electrical connections.

### MAINTENANCE AND CARE

- Always perform regular inspections and maintenance on mounts and related fasteners.
- Periodically check and tighten all fasteners.
- Stripped, fractured, or bent fasteners must be replaced.
- After washing the vehicle make sure to fully dry all surfaces.
- In areas with cold temperatures make sure to wash the product often to remove harmful materials used on road ways.
- Never use abrasive cleaners or polish compounds. Clean with a gentle soap and water. If you use wax use a non-abrasive automotive wax such as pure carnauba wax.

### WARNING

Some products have been designed to work together with factory rear sensor systems, factory forward facing sensor systems and factory air bags.

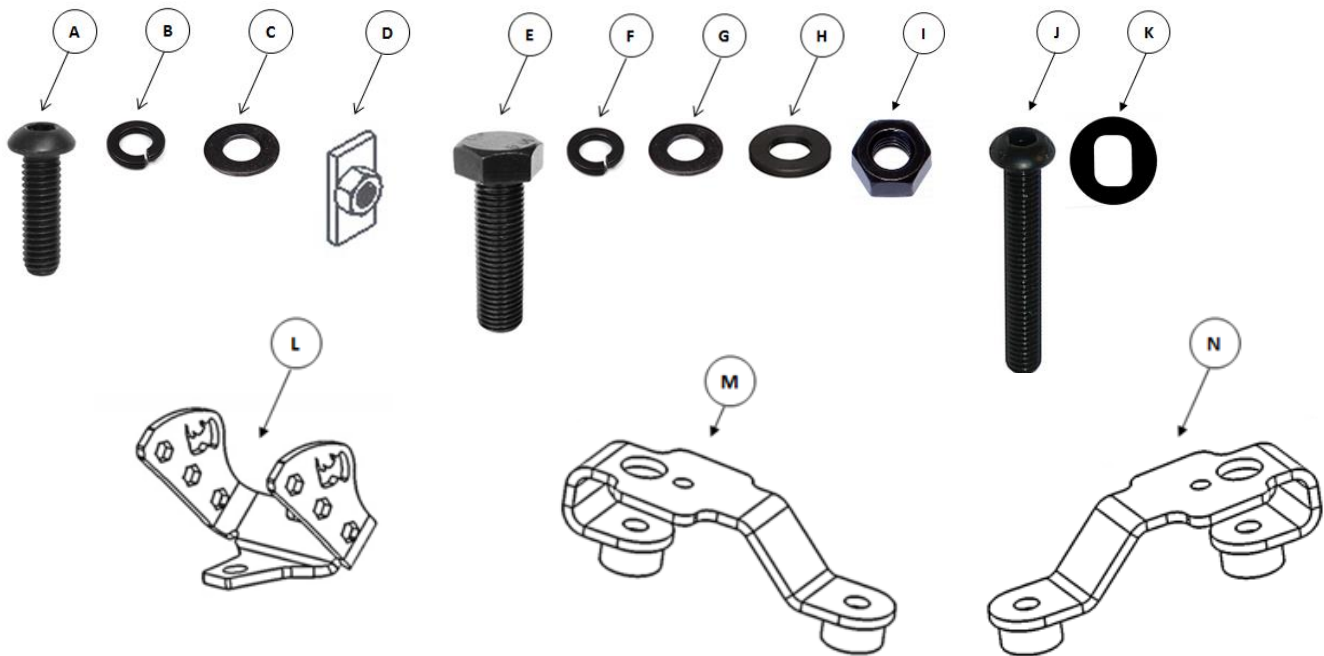
- Installation of some of these products may alter the factory sensor system performance.
- Factory sensors may read shackles or hooks protruding from the fairlead and or tow hooks.
- All sensor testing is completed by Go Rhino Products and or third party testing labs on modified vehicles.
- Sensor sensitivity, factory sensor housing, orientation, and operating conditions are all variables that will influence functionality of the sensors.
- Installation of some product may effect the factory air bag systems.
- Some products allow the use of third party products such as winches, shackles, hooks, etc. Follow the respective manufacturers operating instructions for use with our products.
- Make sure to fully understand the product, it's intended use and operation prior to use.
- Above all... be safe!

# GO RHINO®

## INSTALLATION INSTRUCTIONS

PARTS INCLUDED IN THIS LIST:

ITEM	QTY.	DESCRIPTION	ITEM	QTY.	DESCRIPTION
A	4	M6 x 30MM Button Head Hex Drive Screw	H	2	5/16" Plastic Flat Washer
B	8	1/4" Lock Washer	I	2	5/16" Hex Nut
C	8	1/4" Flat Washer	J	4	M6 x 55MM Button Head Hex Drive Screw
D	4	M6 Nut Plate	K	4	Rubber Gasket
E	2	5/16" X 1" Hex Bolt	L	2	Light Bracket
F	2	5/16" Lock Washer	M	1	Passenger Cowl Light Mount Bracket
G	4	5/16" Flat Washer	N	1	Driver Cowl Light Mount Bracket



Go Rhino recommends you, the installer, read this installation instruction manual from front to back before installing the product.

### TOOLS NEEDED FOR INSTALLATION:

- 1/2" Wrenches
- 4 mm Hex key
- T40 Torx Driver

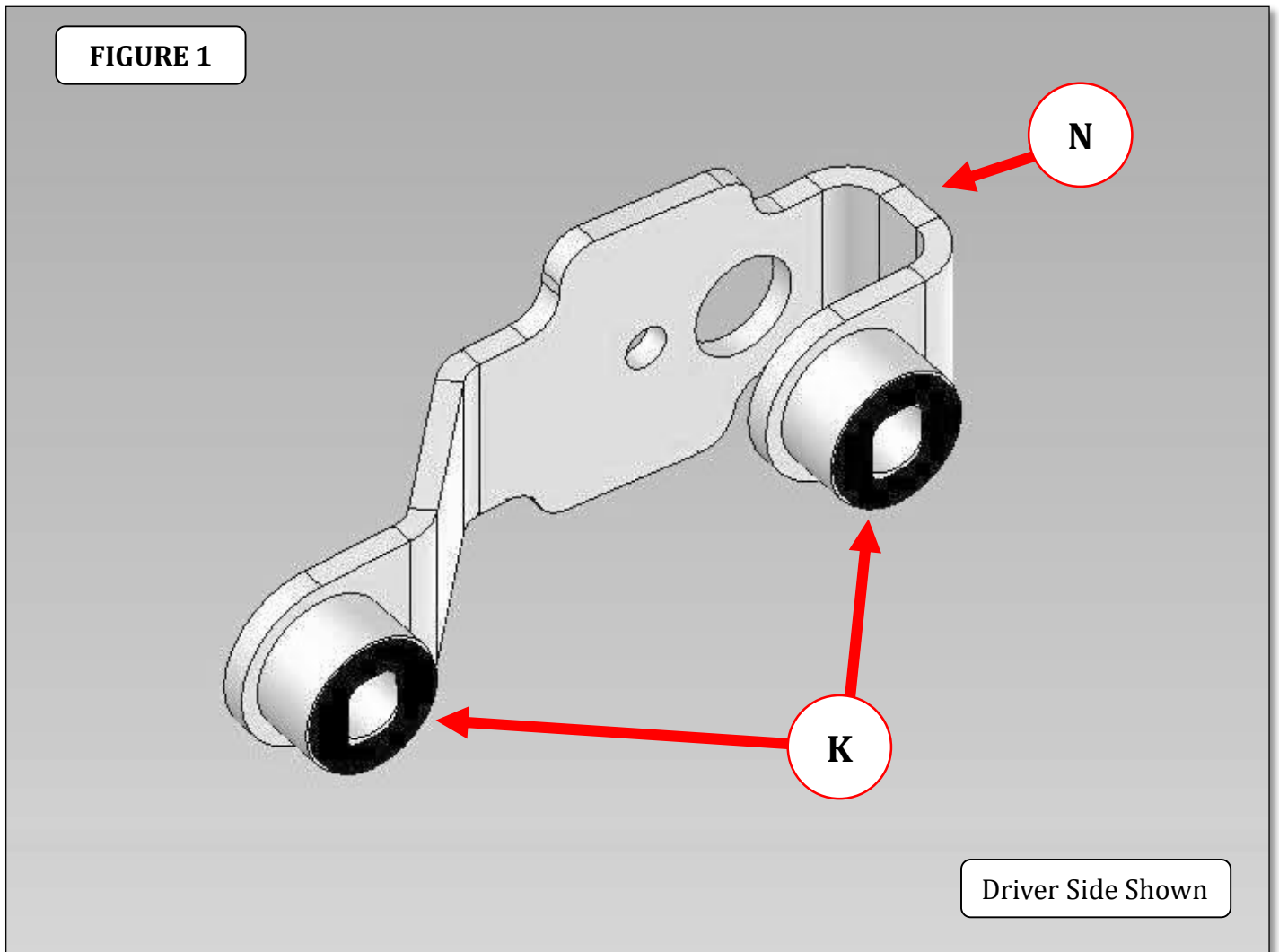
ESTIMATED TIME FOR INSTALLATION:

1 Hour

# GORRHINO®

## INSTALLATION INSTRUCTIONS

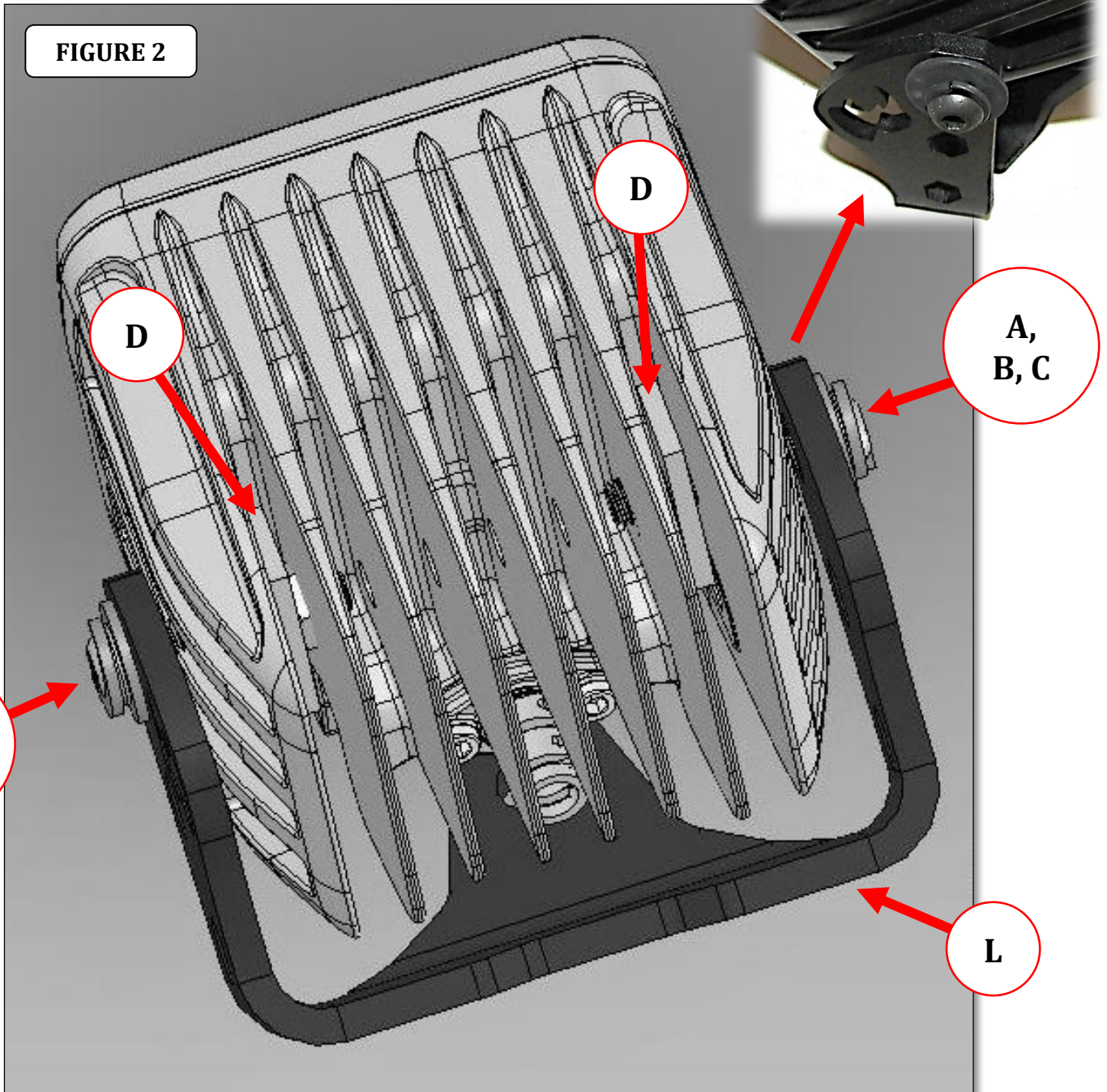
**Step-1** Remove the paper backing from the supplied rubber gaskets. With the adhesive side down, align the gaskets with the spacers on the bottom of each cowl light mount bracket, and stick the gaskets in place on the spacers, (FIGURE 1). Apply firm pressure for about 30 seconds, as the adhesive on the gasket needs to bond with the mounting surface, and it needs pressure to do this.



# GORRHINO®

## INSTALLATION INSTRUCTIONS

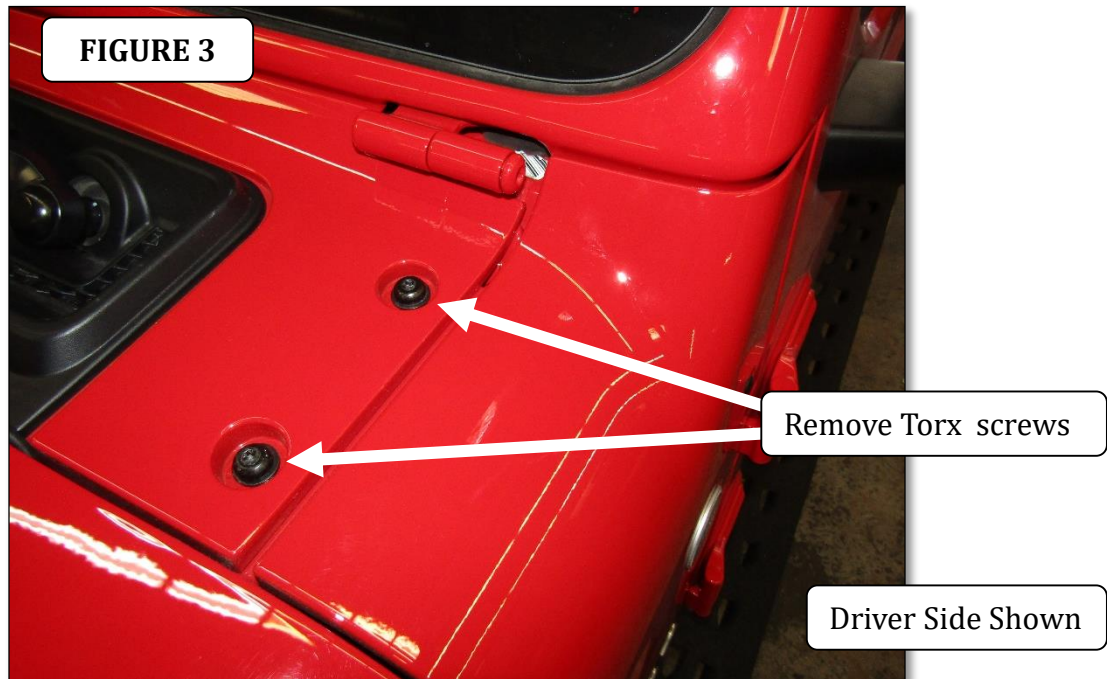
**Step-2** Position the LED light on the light bracket, and attach the light to the bracket using (2) M6 nut plates, (2) M6 x 30mm button head hex drive screws, (2) ¼" lock washers and (2) ¼" flat washers, (FIGURE 2). Repeat for the remaining LED light and light bracket.



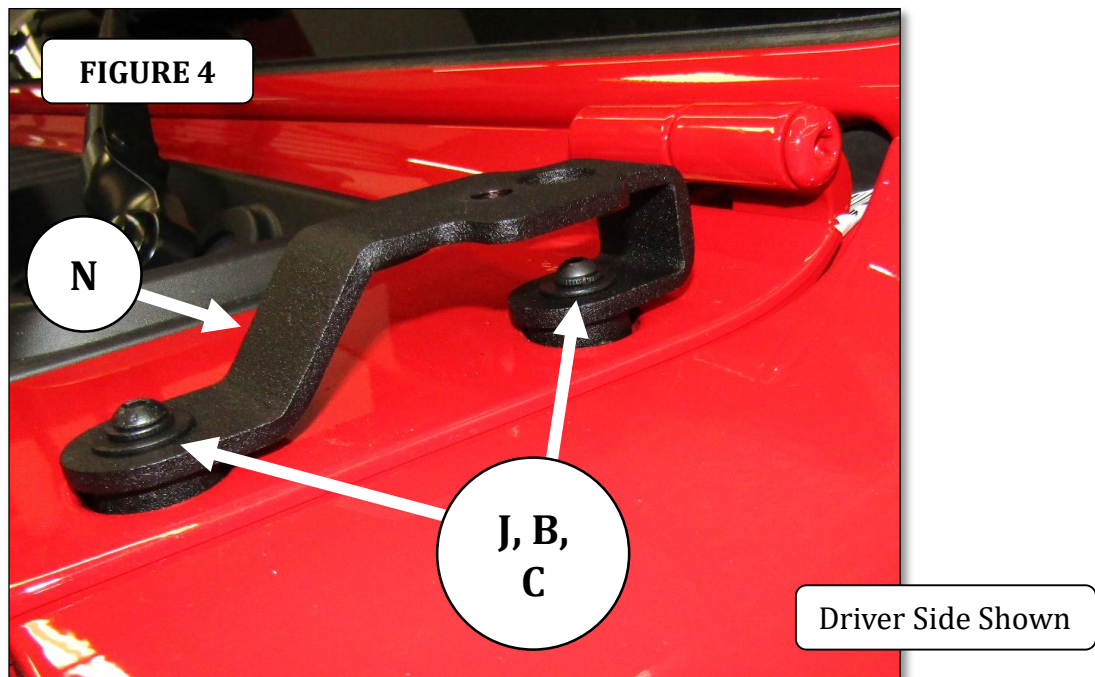
# GO RHINO®

## INSTALLATION INSTRUCTIONS

**Step-3** Beginning on the driver side of the vehicle, using a T-40 Torx driver, remove the (2) Torx screws securing the cowl to the vehicle, (FIGURE 3).



**Step-4** Align the hole in the (2) spacers of the driver side cowl mount light bracket with the cowl attachment holes, and secure the cowl mount light bracket and the cowl to the vehicle using (2) M6 x 55mm button head hex drive screws, (2) ¼" lock washers and (2) ¼" flat washers, (FIGURE 5). Tighten the screws.

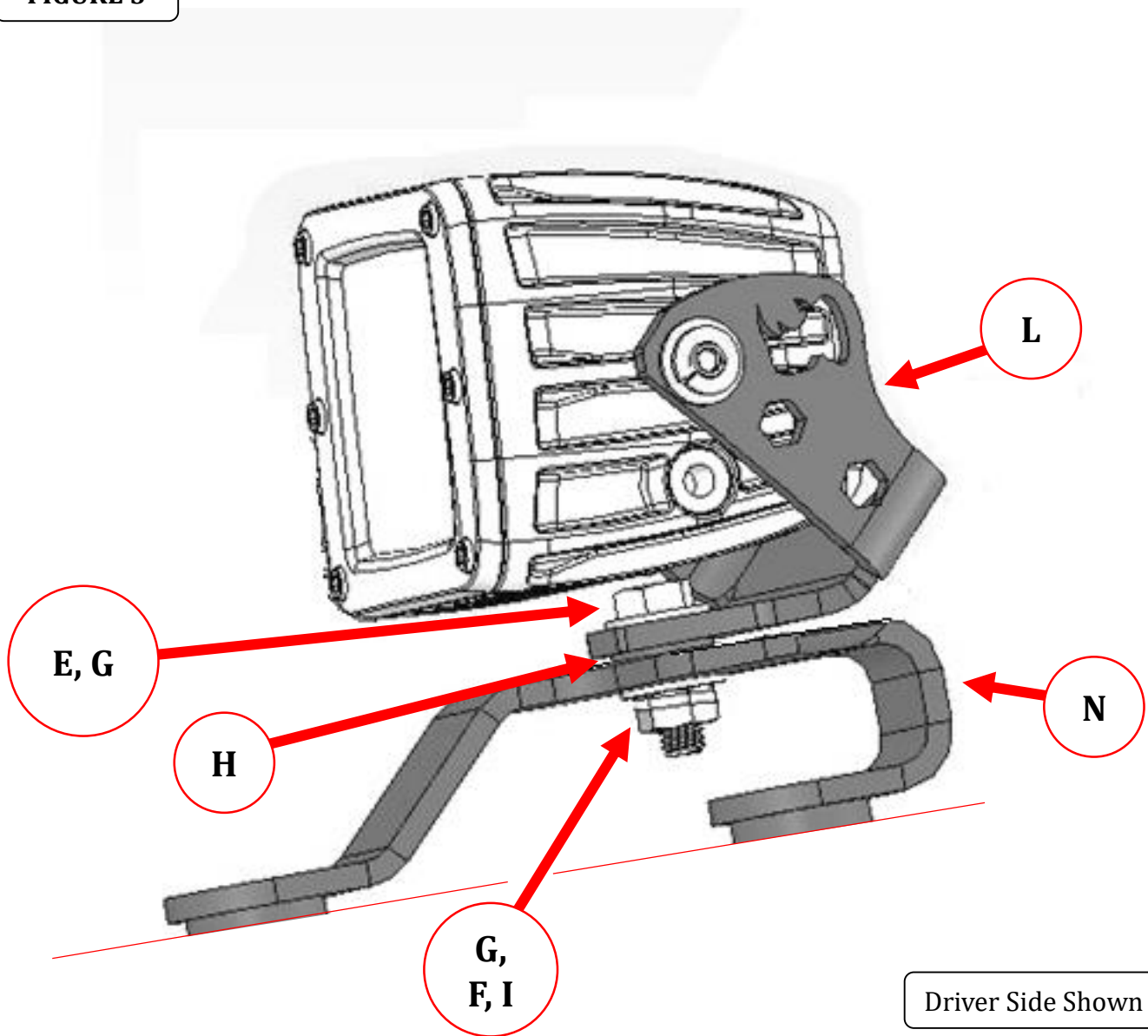




## INSTALLATION INSTRUCTIONS

**Step-5** Place (1) 5/16" plastic flat washer over each light bracket attachment hole on top of the cowl light mount bracket. Position the base of each light bracket on top of the 5/16" plastic flat washer, align the hole in the base of the light bracket with the plastic flat washer, and secure the light bracket to the cowl light mount bracket using (1) 5/16" X 1" hex bolt, (1) 5/16" lock washer, (2) 5/16" flat washers and (1) 5/16" Hex nut, (FIGURE 5). Snug but do not tighten the nut and bolt.

FIGURE 5



# GORRHINO®

## INSTALLATION INSTRUCTIONS

**Step-6** Adjust the LED lights and light brackets so the lens of the LED lights are in the desired position, then tighten all nuts and bolts, (FIGURE 6).



**Step-7** Repeat the above steps to install the LED lights, light brackets and cowl mount light bracket assembly on the passenger side of the vehicle.

**Step-8** Reference the installation instructions included with the LED lights to complete the wiring.