

## INSTALLATION INSTRUCTIONS

**RB10 RUNNING BOARD PART # 63417680**

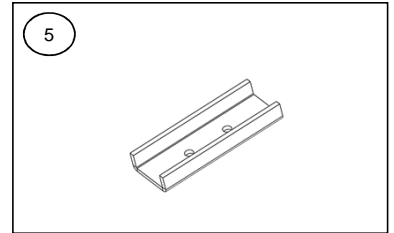
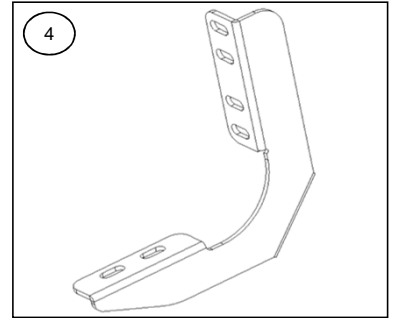
**RB20 RUNNING BOARD PART # 69417680**

**FORD F-250, F-350, F-450 SUPER DUTY SUPER CAB**

**Do not attempt to install this product on any vehicle other than the one listed above!**

### PARTS LIST

ITEM	QTY.	PART #	DESCRIPTION	TORQUE
1	1		Running board passenger	-
2	1		Running board driver	-
3	1		Hardware brackets kit	-
4	6	6341764AA	Bracket	-
5	6	6300874AA/4BA	U bracket	-
6	1	KTE-634176	Hardware kit	-
7	12	-	5/16 x 1" Hex head bolt black plated	11 Lb.ft
8	12	-	5/16" Flat washer black plated	-
9	12	-	5/16" Lock washer black plated	-
10	6	-	3/8" Clip nut black plated	30 Lb.ft
11	12	-	3/8 X 1 1/4" Hex head bolt black plated	30 Lb.ft
12	18	-	3/8" Flat washer black plated	-
13	12	-	3/8" Lock washer black plated	-
14	6	-	3/8" Hex nut black plated	30 Lb.ft



### ASSEMBLY & INSTALLATION TOOLS REQUIRED:

1/2" Socket & 1/2" Wrench  
 9/16" Socket & 9/16" Wrench  
 Ratchet  
 Extension.

**Approximate installation time: 40 min.**

Read the assembly and installation instructions completely and verify that all of the parts listed are accounted for.

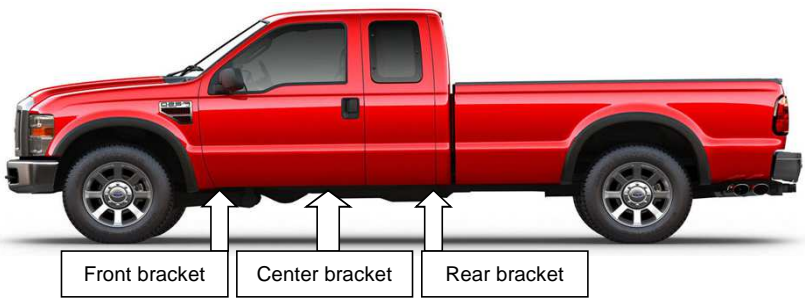
It is the customer's responsibility to protect the finish with a regular application of a nonabrasive polish compatible with the products finish. **NOTE: LOOK THE POSITION BEFORE INSTALLING THE BRACKETS.**

### INSTALLATION

**Step-1** Located holes inside the body in vehicle, front, middle, rear, place a clip nut in upper part. **SEE ILLUSTRATION 1 & 2.**

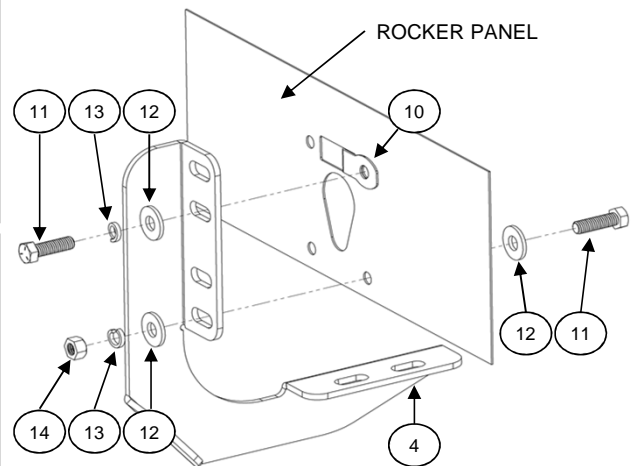
**Step-2** Mount bracket and attach with: 3/8 x 1 1/4" hex head bolt, 3/8" flat and lock washers, in lower part attach with: 3/8 x 1 1/4" hex head bolt, 3/8 flat washer, 3/8" lock washer, 3/8" hex nut. **SEE ILLUSTRATION 3.** By each bracket. Leave loose.

**PICTURE 1**



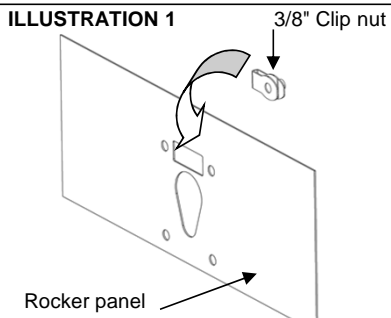
**ILLUSTRATION 3**

To install the brackets in rocker panel.

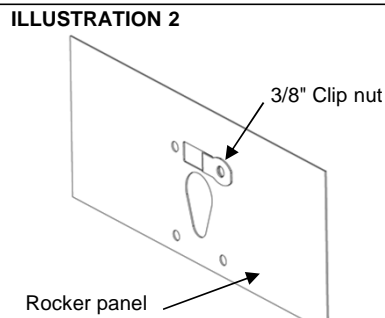


Use ratchet & 9/16" hex socket or 9/16" wrench.

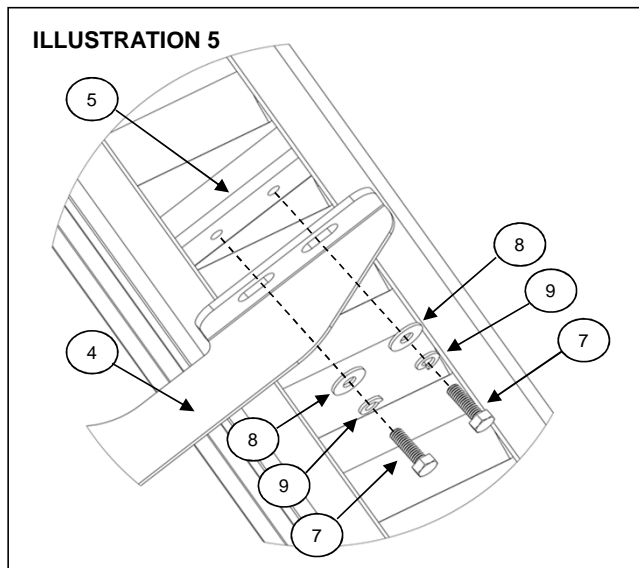
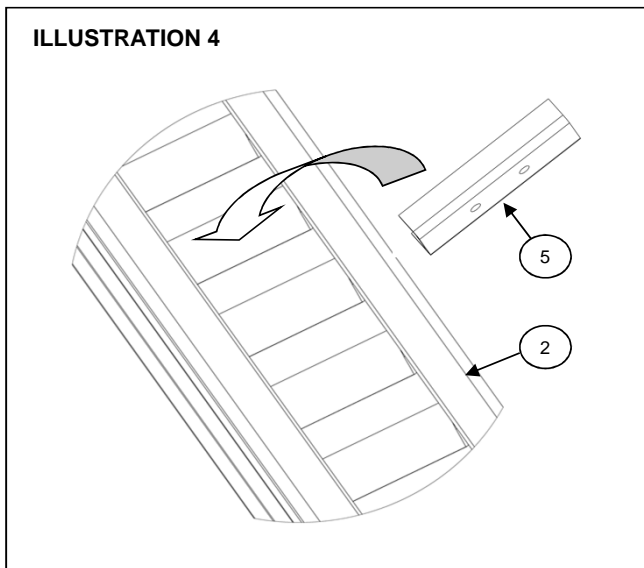
**ILLUSTRATION 1**



**ILLUSTRATION 2**



**Step-3** Place the U bracket and attach with: 5/16" hex head bolt, 5/16" Flat and lock washer (black plated), by each bracket. **SEE ILLUSTRATION 4 & 5.** Repeat for the opposite side. Leave loose.



Use ratchet & 1/2" hex socket or 1/2" wrench.

**Step-4** Align the side step and then tighten all bolts.

**Step-5** Periodically check your product because it may need a re-tighten of bolts.

**Step-6** Fill the warranty card and place it inside your vehicle's glove box.