

**BRACKET RUNNING
BOARD 4" / 5" / 6"
6843465**

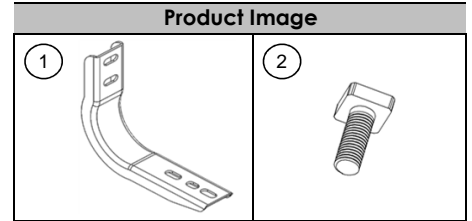
INSTALLATION INSTRUCTIONS

**NISSAN FRONTIER DOBLE CABINA USA
NISSAN FRONTIER V6 & PRO-4X DOBLE CABINA**

**2005 - 2016
2008 - 2016**

Parts List				
Item	Qty.	Code	Description	Max. Torque
1 Kit Hardware brackets kit				
1	6 Piece	392566AA	Bracket.	-
1 Kit KTE-392565 Hardware bolts kit				
2	12 Piece	-	5/16" Square head bolt. Zinc black	11 Lb.ft
3	24 Piece	-	5/16" Flat washer. Zinc black	-
4	24 Piece	-	5/16" Lock washer. Zinc black	-
5	12 Piece	-	5/16" Hex nut. Zinc black	11 Lb.ft
6	12 Piece	-	M8 P1.25 Hex nut. Zinc black	20 Lb.ft

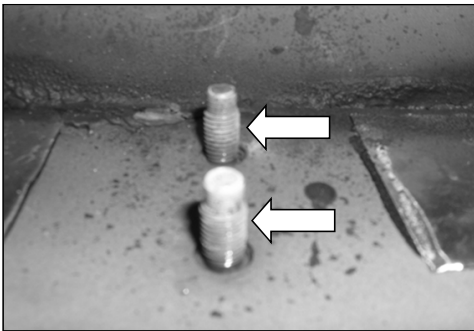
Required Tools (Not included)	
Qty.	Description
1	1/2" Socket & Wrench
1	13mm Socket & Wrench
1	17mm Double hex socket (12 point) or 15mm Wrench
1	Ratchet
1	Extension



Instructions

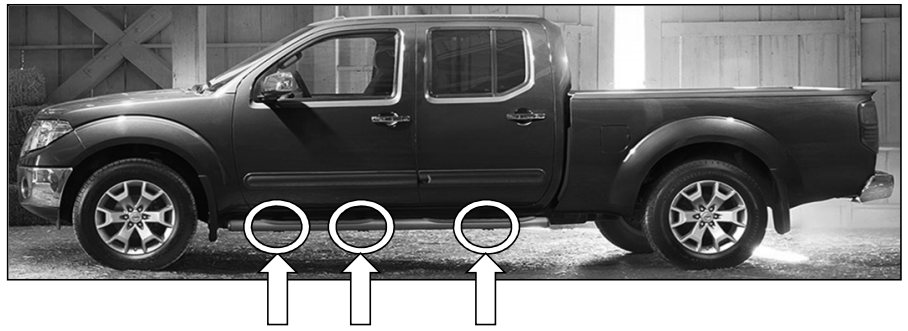
- 1.- Before beginning the installation, please read all directions carefully and verify that all necessary hardware is accounted for. If any parts are missing, stop the installation and contact your distributor immediately.
- 2.- To maintain and care this product keep it clean and do not use abrasive cleaners or polish waxes. We recommend to use only non-abrasive automotive wax such as pure carnauba to avoid scratches and rust.
- 3.- The approximate installation time is 45 min.
- 4.- Locate below in the rocker panel, in the sides, spiral per us to the front, center and rear of vehicle. **SEE PICTURE 1 & 2.**

PICTURE 1.



Threaded studs to install each of the brackets.

PICTURE 2.



In this part, under the vehicle install the driver side front, middle and rear bracket.

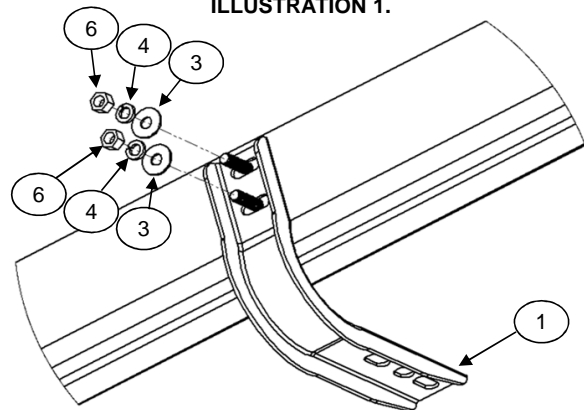
- 5.- Install the brackets on threaded stud to the front, center and rear of vehicle and attach with (2) nuts M8, (2) flat and lock washer 5/16". Leave loose. **SEE PICTURE 3 & ILLUSTRATION 1.**

PICTURE 3.



Shown the bracket installed.

ILLUSTRATION 1.



6.- If you acquired a 5" or 6" COMPOSITE Side bar, insert 5/16" square head bolt on rail, place on brackets and attach with: 5/16" Flat and lock washer, 5/16" hex nut. **SEE ILLUSTRATION 2.** Repeat for the opposite side. Leave loose.

7.- If you acquired a 4", 5" or 6" Black or Stainless Steel side bar, place on brackets and attach with: 5/16" square head bolt, 5/16" Flat and lock washer. **SEE ILLUSTRATION 3.** Repeat for the opposite side. Leave loose.

8.- Align the side bar and then tighten all bolts.

9.- Periodically check your product because it may need a re-tighten of bolts.

10.- Fill the warranty card and place it inside your vehicle's glove box.

ILLUSTRATION 2.

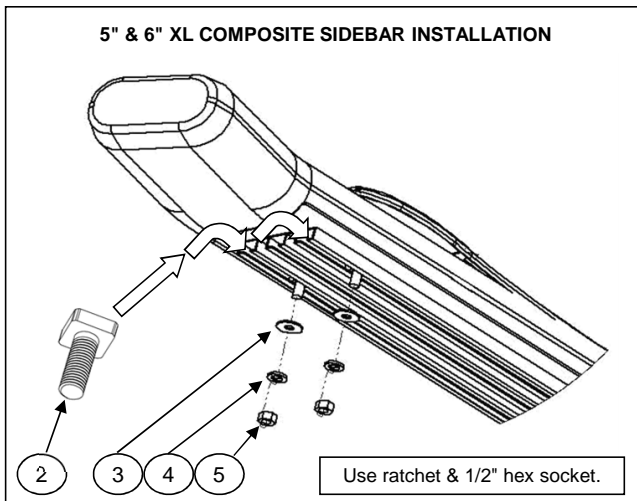
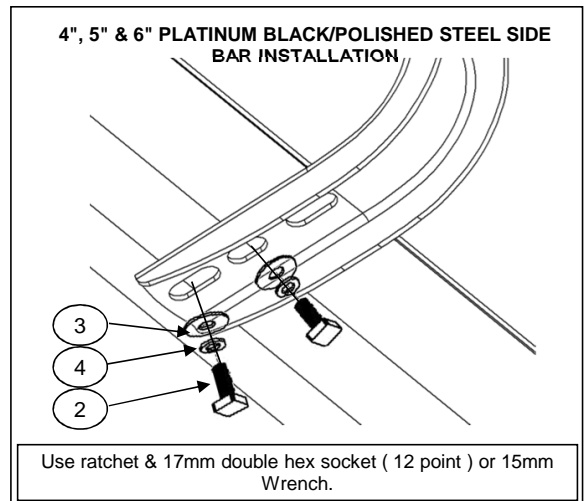


ILLUSTRATION 3.

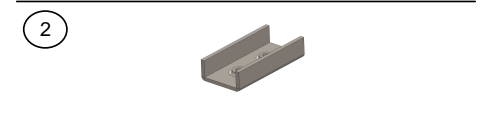
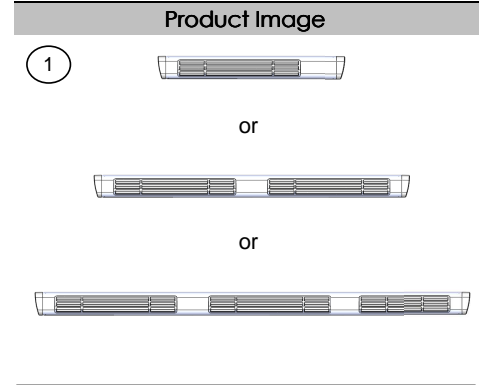


INSTALLATION INSTRUCTIONS UNIVERSAL RUNNING BOARD

Parts List					
Item	Qty.	Code	Description	Max. Torque	
1	1 Set	-	Running Board	-	
2	6 Pc.	396804AA	U (Clamp) Bracket *	-	

* Wheel to Wheel Running Boards have the U (Clamp) Brackets included on the Bracket Kit (Sold Separately)

Required Tools (Not included)	
Qty.	Description
1	15mm Wrench
1	17mm Socket
1	Ratchet



Instructions

1. Before beginning the installation, please read all directions carefully and verify that all necessary hardware is accounted for. If any parts are missing, stop the installation and contact your distributor immediately.
2. To maintain and care this product keep it clean and do not use abrasive cleaners or polish waxes. We recommend to use only non-abrasive automotive wax such as pure carnauba to avoid scratches and rust.
3. Once the main brackets are installed (**sold separately**), the approximate installation time is **15 min.**
4. Place the U brackets inside the Running Board. Move them to align to the main brackets. **See illustration 1.**
5. Place the flat and lock washers with the square head bolts. This hardware kit is included on the main brackets that are (**sold separately**). **See illustration 1.**
6. Align the Running board and tighten the bolts using a 1/2" wrench.
7. **NOTE: For some regular cabs only two U brackets are needed per side.**

ILLUSTRATION 1.

