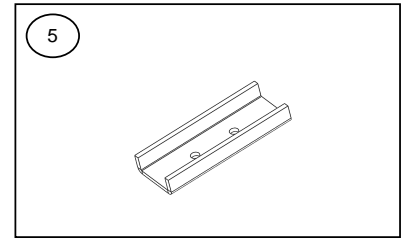
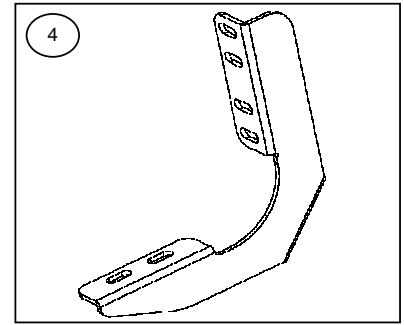


INSTALLATION INSTRUCTIONS
RB10 RUNNING BOARD PART # 63417680T
1999-2015 FORD F-250, F-350, F-450 SUPER DUTY SUPER CAB
Do not attempt to install this product on any vehicle other than the one listed above!

PARTS LIST

| ITEM | QTY. | PART # | DESCRIPTION | TORQUE |
|------|------|-------------|---|----------|
| 1 | 1 | 630080T | RB10 Running board passenger | - |
| 2 | 1 | 630080T | RB10 Running board driver | - |
| 3 | 1 | BRK-6341765 | Hardware brackets kit | - |
| 4 | 6 | 6341764AA | Bracket | - |
| 5 | 6 | 6300874AA | U bracket | - |
| 6 | 1 | KTE-634176 | Hardware kit | - |
| 7 | 12 | - | 5/16 x 1" Hex head bolt black plated | 11 Lb.ft |
| 8 | 12 | - | 5/16" Flat washer black plated | - |
| 9 | 12 | - | 5/16" Lock washer black plated | - |
| 10 | 6 | - | 3/8" Clip nut black plated | 30 Lb.ft |
| 11 | 12 | - | 3/8 X 1 1/4" Hex head bolt black plated | 30 Lb.ft |
| 12 | 18 | - | 3/8" Flat washer black plated | - |
| 13 | 12 | - | 3/8" Lock washer black plated | - |
| 14 | 6 | - | 3/8" Hex nut black plated | 30 Lb.ft |



ASSEMBLY & INSTALLATION TOOLS REQUIRED:

1/2" Socket & 1/2" Wrench
 9/16" Socket & 9/16" Wrench
 Ratchet
 Extension.

Approximate installation time: 40 min.

It is the customer's responsibility to protect the finish with a regular application of a nonabrasive polish compatible with the products finish. **NOTE: LOOK THE POSITION BEFORE INSTALLING THE BRACKETS.**

INSTALLATION

Step-1 Located holes inside the body in vehicle, front, middle, rear, place a clip nut in upper part. **SEE ILLUSTRATION 1 & 2.**

Step-2 Mount bracket and attach with: 3/8 x 1 1/4" hex head bolt, 3/8" flat and lock washers, in lower part attach with: 3/8 x 1 1/4" hex head bolt, 3/8 flat washer, 3/8" lock washer, 3/8" hex nut. **SEE ILLUSTRATION 3.** By each bracket. Leave loose.

PICTURE 1

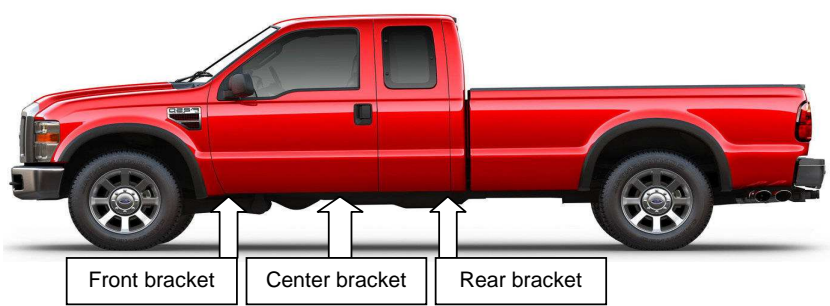
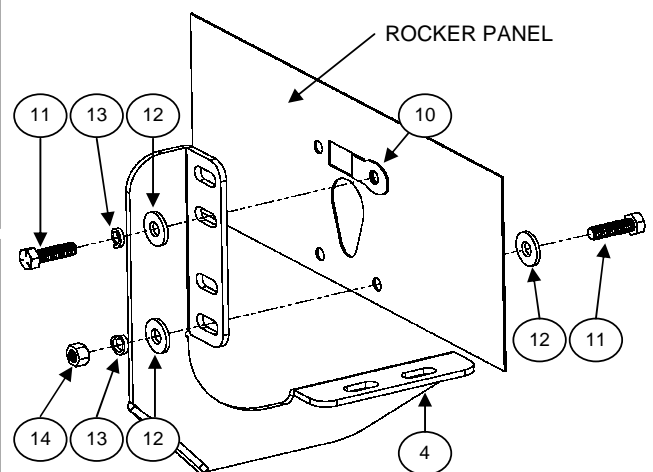


ILLUSTRATION 3

To install the brackets in rocker panel.



Use ratchet & 9/16" hex socket or 9/16" wrench.

ILLUSTRATION 1

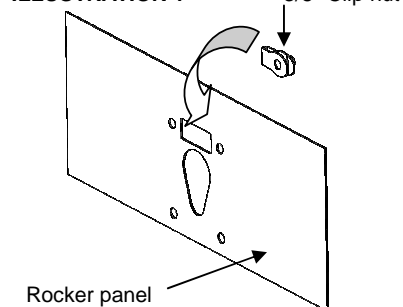
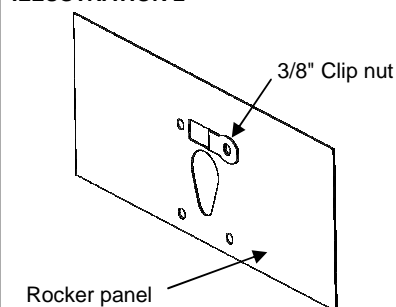
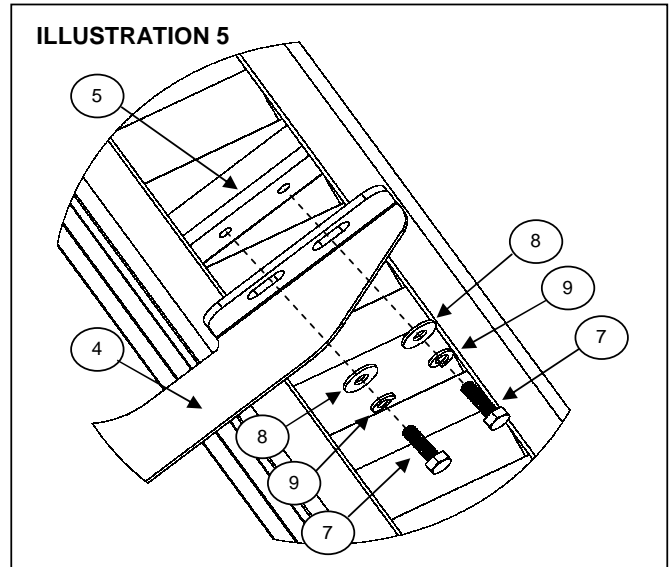
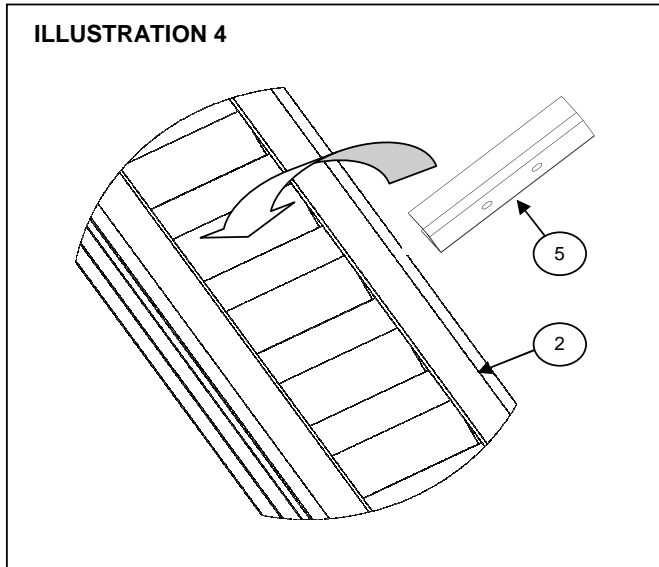


ILLUSTRATION 2



Step-3 Place the U bracket and attach with: 5/16" hex head bolt, 5/16" Flat and lock washer (black plated), by each bracket. **SEE ILLUSTRATION 4 & 5.** Repeat for the opposite side. Leave loose.



Use ratchet & 1/2" hex socket or 1/2" wrench.

Step-4 Align the side bar and then tighten all bolts.

Step-5 Periodically check your product because it may need a re-tighten of bolts.

Step-6 Fill the warranty card and place it inside your vehicle's glove box.