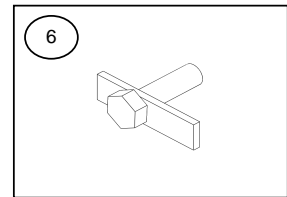
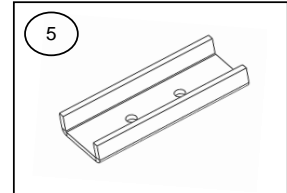
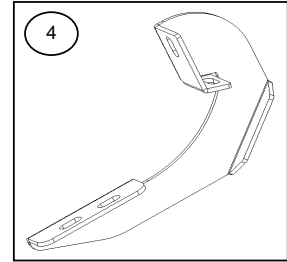


INSTALLATION INSTRUCTIONS
RB10 SIDE STEPS PART # 63415087T
2004-2014 FORD F-150 SUPER CREW

Do not attempt to install this product on any vehicle other than the one listed above!

PARTS LIST

ITEM	QTY.	PART #	DESCRIPTION	TORQUE
1	1	630087T	RB10 Side Steps passenger	-
2	1	630087T	RB10 Side Steps driver	-
3	1	BRK-6341265	Hardware brackets kit	-
4	6	6341264AA	Bracket	-
5	6	6300874AA	U bracket	-
6	2	371980EA	3/8" Bolt plate	30 Lb.ft
7	1	KTE-634126	Hardware kit	-
8	12	-	5/16 x 1" Hex head bolt black plated	11 Lb.ft
9	12	-	5/16" Flat washer black plated	-
10	12	-	5/16" Lock washer black plated	-
11	6	-	3/8" Clip nut black plated	30 Lb.ft
12	6	-	3/8 x 1 1/4" Hex head bolt zinc plated	30 Lb.ft
13	6	-	3/8 x 1" Carriage head bolt zinc plated	30 Lb.ft
14	12	-	3/8" Flat washer zinc plated	-
15	12	-	3/8" Lock washer zinc plated	-
16	8	-	3/8" Hex nut zinc plated	30 Lb.ft
17	2	-	3/8" Gasket vinyl	-



ASSEMBLY & INSTALLATION TOOLS REQUIRED:

1/2" Socket & 1/2" Wrench
 9/16" Socket & 9/16" Wrench
 Ratchet
 Extension.

Approximate installation time: 40 min.

Read the assembly and installation instructions completely and verify that all of the parts listed are accounted for.

It is the customer's responsibility to protect the finish with a regular application of a nonabrasive polish compatible with the products finish. **NOTE: LOOK THE POSITION BEFORE INSTALLING THE BRACKETS.**

INSTALLATION

Step-1 Located holes inside the body of vehicle, front, middle, rear, **see picture 1 & 2**, place a 3/8" clip nut in upper part. Mount bracket and attach with: 3/8 x 1 1/4" hex head bolt, 3/8" flat and lock washers. In lower part attach with: 3/8 x 1" carriage head bolt, 3/8" flat and lock washers, 3/8" hex nut. **SEE ILLUSTRATION 1.** Leave loose. Repeat in opposite side.

PICTURE 1

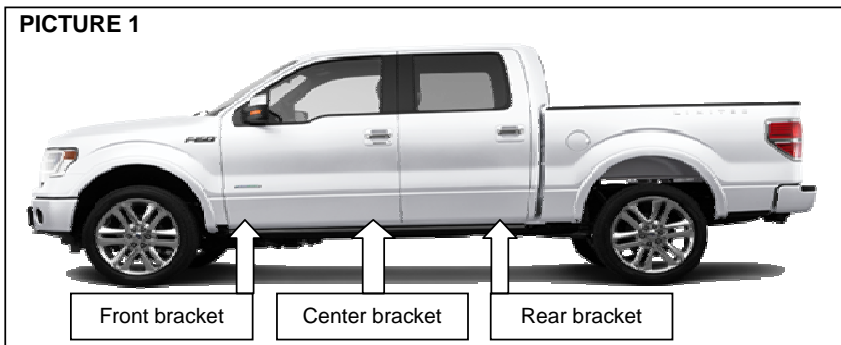
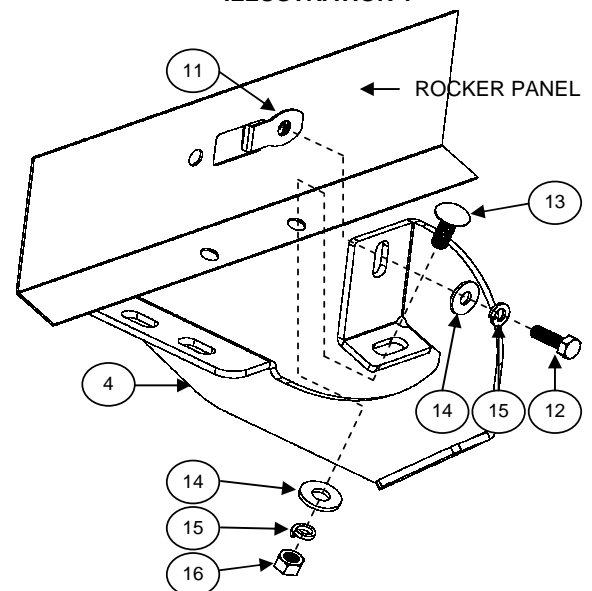
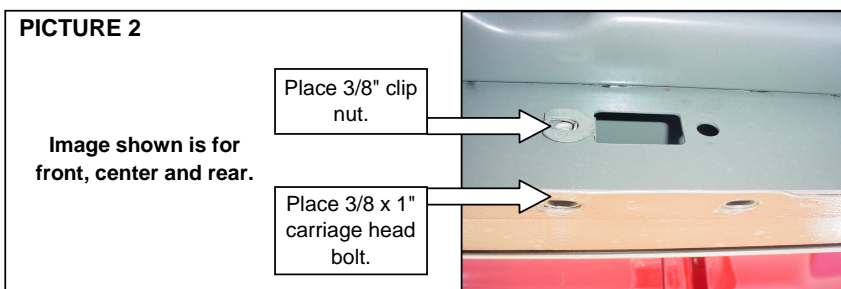


ILLUSTRATION 1



Use wrench, ratchet, hex socket 9/16".

PICTURE 2



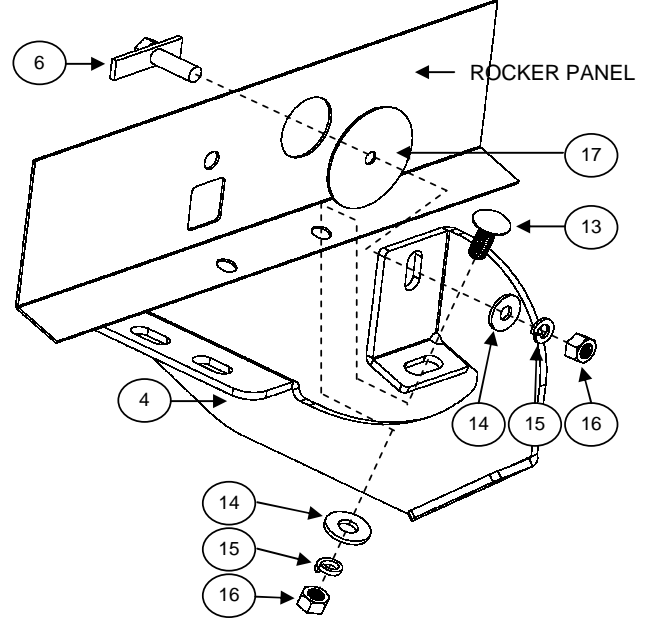
NOTA: Models 2009 - 2010 insert 3/8" bolt plate, gasket vinyl, middle part, attach with: 1 3/8" flat and lock washers, 3/8" hex nut. In lower part attach with: 3/8 x 1" carriage head bolt, 3/8" flat and lock washers, 3/8" hex nut. **SEE PICTURE 3 & ILLUSTRATION 2.** Leave loose. Repeat in opposite side.

PICTURE 3



In models 09 - 10 middle part. Passenger side shown.

ILLUSTRATION 2



9/16" Use wrench, ratchet, hex socket.

Step-2 Place the U bracket and attach with: 5/16" hex head bolt, 5/16" Flat and lock washer (black plated), by each bracket. **SEE ILLUSTRATION 3 & 4.** Repeat for the opposite side. Leave loose.

ILLUSTRATION 3

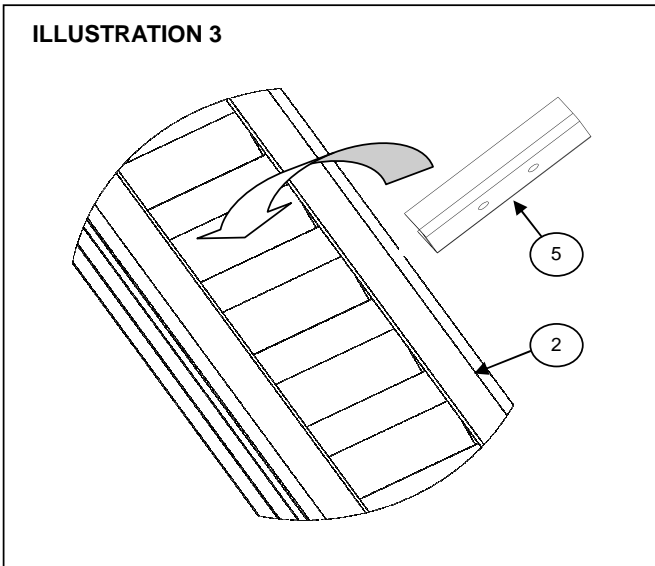
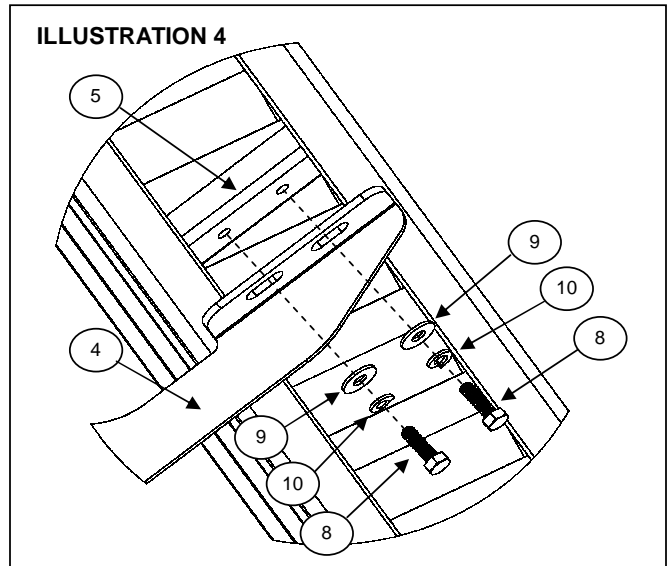


ILLUSTRATION 4



Use ratchet & 1/2" hex socket.

Step-3 Align the side bar and then tighten all bolts.

Step-4 Periodically check your product because it may need a re-tighten of bolts.

Step-5 Fill the warranty card and place it inside your vehicle's glove box.