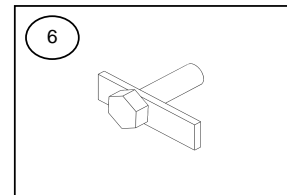
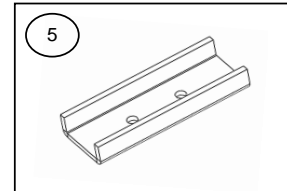
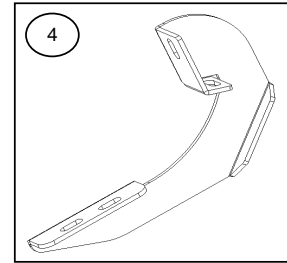


**INSTALLATION INSTRUCTIONS**  
**RB10 SIDE STEPS PART # 63412680T**  
**2004-2014 FORD F-150 SUPER CREW**

**Do not attempt to install this product on any vehicle other than the one listed above!**

**PARTS LIST**

ITEM	QTY.	PART #	DESCRIPTION	TORQUE
1	1	630080T	RB10 Side Steps passenger	-
2	1	630080T	RB10 Side Steps driver	-
3	1	BRK-6341265	Hardware brackets kit	-
4	6	6341264AA	Bracket	-
5	6	6300874AA	U bracket	-
6	2	371980EA	3/8" Bolt plate	30 Lb.ft
7	1	KTE-634126	Hardware kit	-
8	12	-	5/16 x 1" Hex head bolt black plated	11 Lb.ft
9	12	-	5/16" Flat washer black plated	-
10	12	-	5/16" Lock washer black plated	-
11	6	-	3/8" Clip nut black plated	30 Lb.ft
12	6	-	3/8 x 1 1/4" Hex head bolt zinc plated	30 Lb.ft
13	6	-	3/8 x 1" Carriage head bolt zinc plated	30 Lb.ft
14	12	-	3/8" Flat washer zinc plated	-
15	12	-	3/8" Lock washer zinc plated	-
16	8	-	3/8" Hex nut zinc plated	30 Lb.ft
17	2	-	3/8" Gasket vinyl	-



**ASSEMBLY & INSTALLATION TOOLS REQUIRED:**

1/2" Socket & 1/2" Wrench  
 9/16" Socket & 9/16" Wrench  
 Ratchet  
 Extension.

**Approximate installation time: 40 min.**

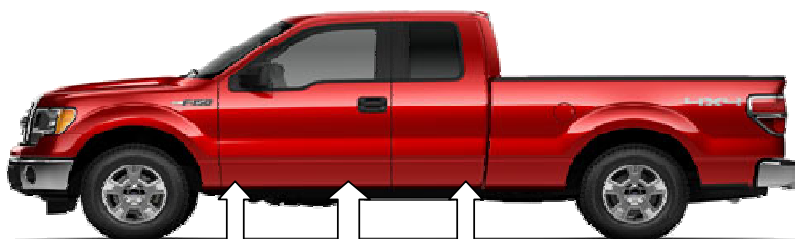
Read the assembly and installation instructions completely and verify that all of the parts listed are accounted for.

It is the customer's responsibility to protect the finish with a regular application of a nonabrasive polish compatible with the products finish. **NOTE: LOOK THE POSITION BEFORE INSTALLING THE BRACKETS.**

**INSTALLATION**

**Step-1** Located holes inside the body of vehicle, front, middle, rear, **see picture 1 & 2**, place a 3/8" clip nut in upper part. Mount bracket and attach with: 3/8 x 1 1/4" hex head bolt, 3/8" flat and lock washers. In lower part attach with: 3/8 x 1" carriage head bolt, 3/8" flat and lock washers, 3/8" hex nut. **SEE ILLUSTRATION 1.** Leave loose. Repeat in opposite side.

**PICTURE 1**



Front bracket

Center bracket

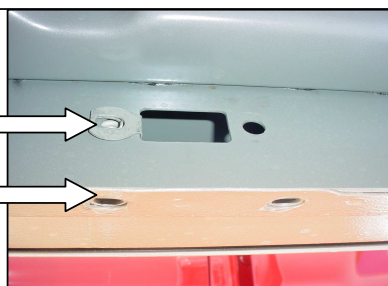
Rear bracket

**PICTURE 2**

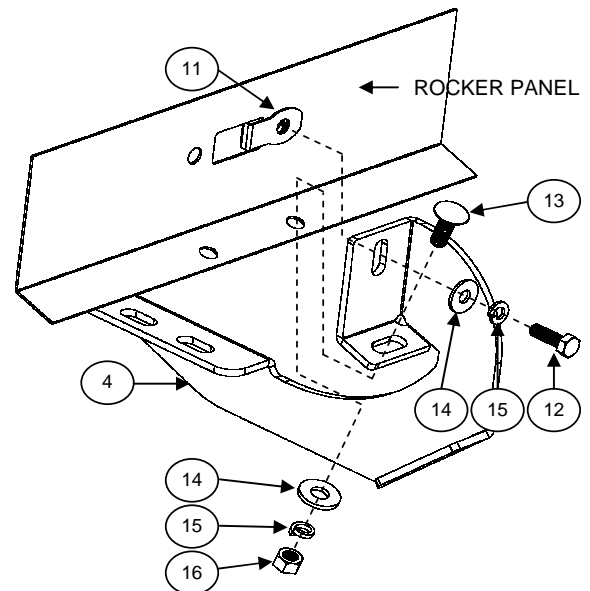
Image shown is for front, center and rear.

Place 3/8" clip nut.

Place 3/8 x 1" carriage head bolt.



**ILLUSTRATION 1**



Use wrench, ratchet, hex socket 9/16".

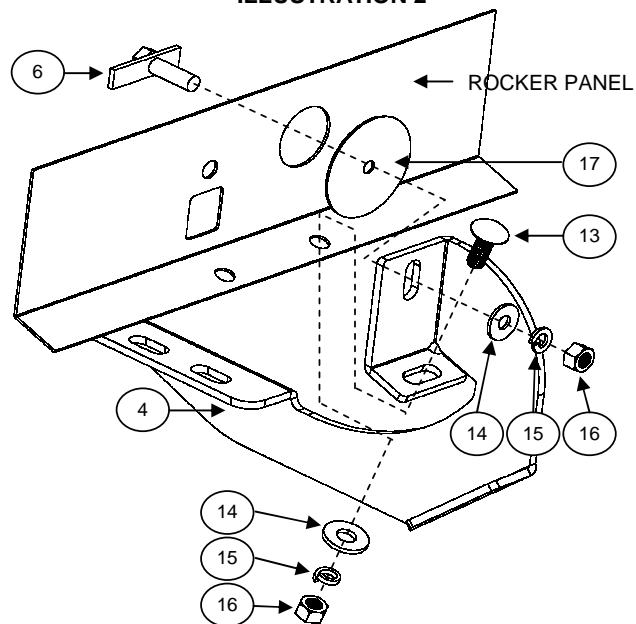
**NOTA:** Models 2009 - 2010 insert 3/8" bolt plate, gasket vinyl, middle part, attach with: 1 3/8" flat and lock washers, 3/8" hex nut. In lower part attach with: 3/8 x 1" carriage head bolt, 3/8" flat and lock washers, 3/8" hex nut. **SEE PICTURE 3 & ILLUSTRATION 2.** Leave loose. Repeat in opposite side.

**PICTURE 3**



In models 09 - 10 middle part. Passenger side shown.

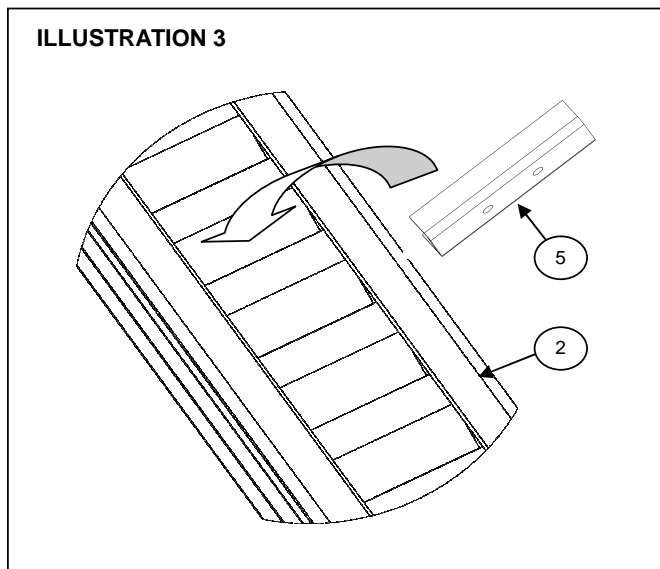
**ILLUSTRATION 2**



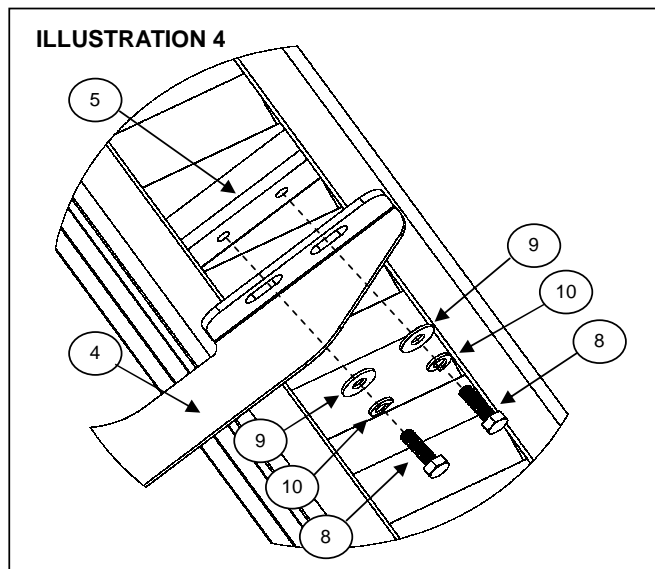
9/16" Use wrench, ratchet, hex socket.

**Step-2** Place the U bracket and attach with: 5/16" hex head bolt, 5/16" Flat and lock washer (black plated), by each bracket. **SEE ILLUSTRATION 3 & 4.** Repeat for the opposite side. Leave loose.

**ILLUSTRATION 3**



**ILLUSTRATION 4**



Use ratchet & 1/2" hex socket.

**Step-3** Align the side bar and then tighten all bolts.

**Step-4** Periodically check your product because it may need a re-tighten of bolts.

**Step-5** Fill the warranty card and place it inside your vehicle's glove box.