

# GO RHINO®

## INSTALLATION INSTRUCTIONS

PART NO.

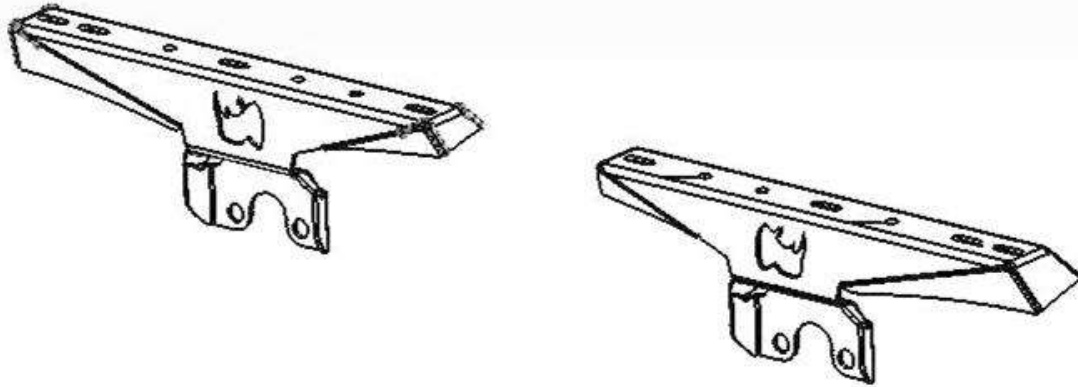
- 599501T

PRODUCT DESCRIPTION:

- HARD TOP REAR LIGHT BAR MOUNT BRACKET KIT

APPLICATION:

- JEEP WRANGLER JL



### PRODUCT SAFETY & LEGAL DISCLAIMER

- **IMPORTANT READ ALL INSTRUCTIONS CAREFULLY BEFORE INSTALLING, FAILURE TO DO SO MAY CAUSE PERSONAL INJURY OR DAMAGE TO PRODUCT AND/OR PROPERTY.**
- **Review the product package and contents prior to beginning the installation.** Take care when opening the packaging and removing items. If a return is needed you will want to return the product in its original packaging if possible.
- This instruction guide is provided as a GENERAL installation guide, some vehicles vary dimensionally and may require additional steps.
- Test fit the product on the vehicle prior to any third party modifications and or finishing. The manufacturer and/or distributors do not accept responsibility for third party charges, labor and or third part replacement modifications. Some modifications may void the factory warranty.
- Exercise due-diligence when installing this product. The manufacturer and distributors of this product do not accept any responsibility for vehicle damage or personal injury resulting from the installation of this product. Careless installation and operation can result in serious injury or equipment damage.
- This product is for general off-road use. All liability for installation and use rests with the owner/operator.
- **INSTALLER:** Once installation is complete, please return this guide along with other documentation included in this product back to the consumer for future reference. The manufacturer/distributors of this product do not guarantee this particular version will be available at a later date.



## INSTALLATION INSTRUCTIONS

### INJURY HAZARD

Please complete a shop and tool inspection prior to beginning the installation.

- Always make sure you have a clean, dry and well lit work area.
- Always remove jewelry, loose fitting clothing and wear protective gloves and eye protection.
- Always use extreme caution when jacking or raising a vehicle for work. Set the emergency brake and use tire/wheel blocks and jack stands. Refer to the vehicle manufacturer hand book. Utilize the vehicle manufacturers designated lifting points.
- Always use appropriate and adequate care in lifting parts during disassembly and installation. Seek help in lifting heavy or large items into place. Utilize jacks and or lifting devices when available.
- Always insure products are secure during disassembly and installation.
- Always wear eye protection and take steps to protect any exposed skin during the installations. Drilling, cutting and grinding plastic and metal may create flying particles that can cause injury.
- Always use extreme caution when drilling, cutting and or grinding on a vehicle. Thoroughly inspect the area to be drilled, on both sides of material, prior to modification and relocate any objects that may become damaged.
- Always assemble and tighten all fasteners per the installation instructions.
- Always route electrical cables carefully. Avoid moving parts, parts that may become hot and rough or sharp edges.
- Always insulate and protect all exposed wiring and electrical connections.

### MAINTENANCE AND CARE

- Always perform regular inspections and maintenance on mounts and related fasteners.
- Periodically check and tighten all fasteners.
- Stripped, fractured, or bent fasteners must be replaced.
- After washing the vehicle make sure to fully dry all surfaces.
- In areas with cold temperatures make sure to wash the product often to remove harmful materials used on road ways.
- Never use abrasive cleaners or polish compounds. Clean with a gentle soap and water. If you use wax use a non-abrasive automotive wax such as pure carnauba wax.

### WARNING

Some products have been designed to work together with factory rear sensor systems, factory forward facing sensor systems and factory air bags.

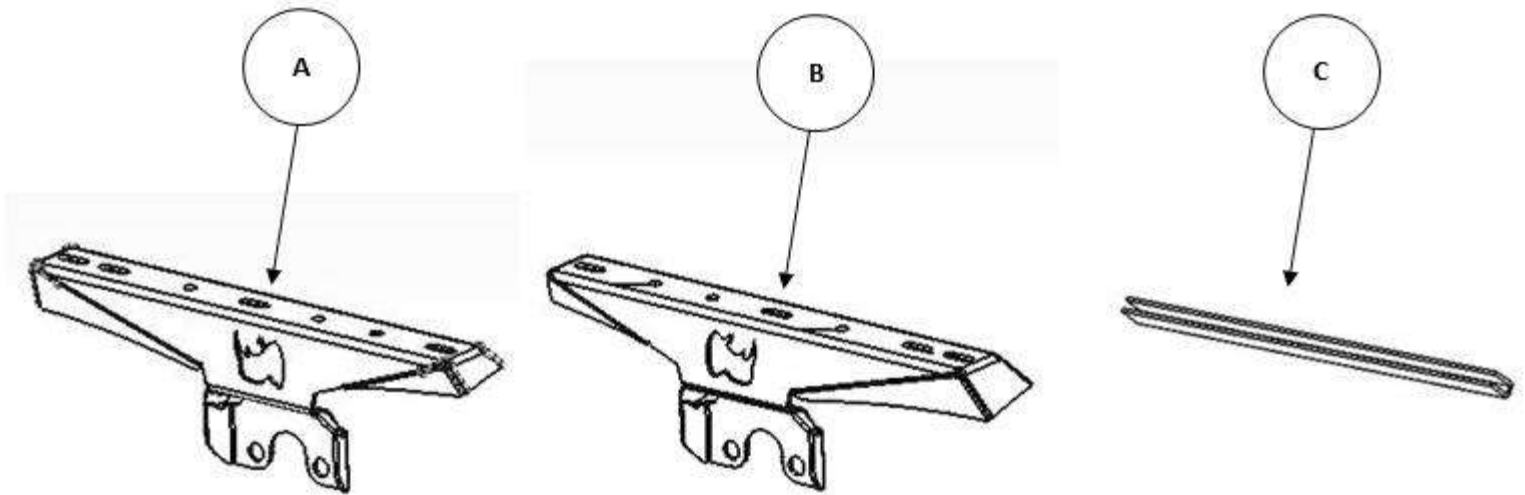
- Installation of some of these products may alter the factory sensor system performance.
- Factory sensors may read shackles or hooks protruding from the fairlead and or tow hooks.
- All sensor testing is completed by Go Rhino Products and or third party testing labs on modified vehicles.
- Sensor sensitivity, factory sensor housing, orientation, and operating conditions are all variables that will influence functionality of the sensors.
- Installation of some product may effect the factory air bag systems.
- Some products allow the use of third party products such as winches, shackles, hooks, etc. Follow the respective manufacturers operating instructions for use with our products.
- Make sure to fully understand the product, it's intended use and operation prior to use.
- Above all... be safe!

# GO RHINO®

## INSTALLATION INSTRUCTIONS

PARTS INCLUDED IN THIS LIST:

ITEM	QTY.	DESCRIPTION	ITEM	QTY.	DESCRIPTION
A	1	Hard Top Light Bar Mount Bracket (Driver)	C	2	Rubber U-Channel Push-On Trim
B	1	Hard Top Light Bar Mount Bracket (Passenger)			



Go Rhino recommends you, the installer, read this installation instruction manual from front to back before installing the product.

### TOOLS NEEDED FOR INSTALLATION:

- Standard & Metric Sockets
- Ratchet
- Standard & Metric Wrenches

ESTIMATED TIME FOR INSTALLATION:

1 hrs.

# GO RHINO®

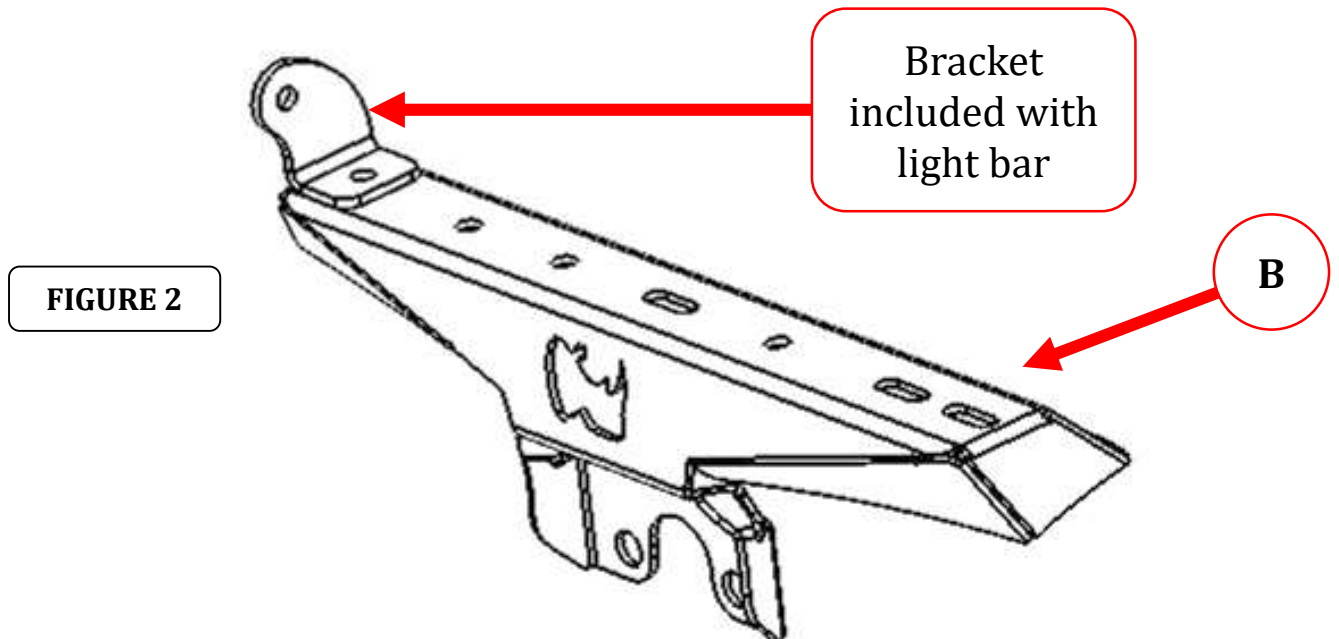
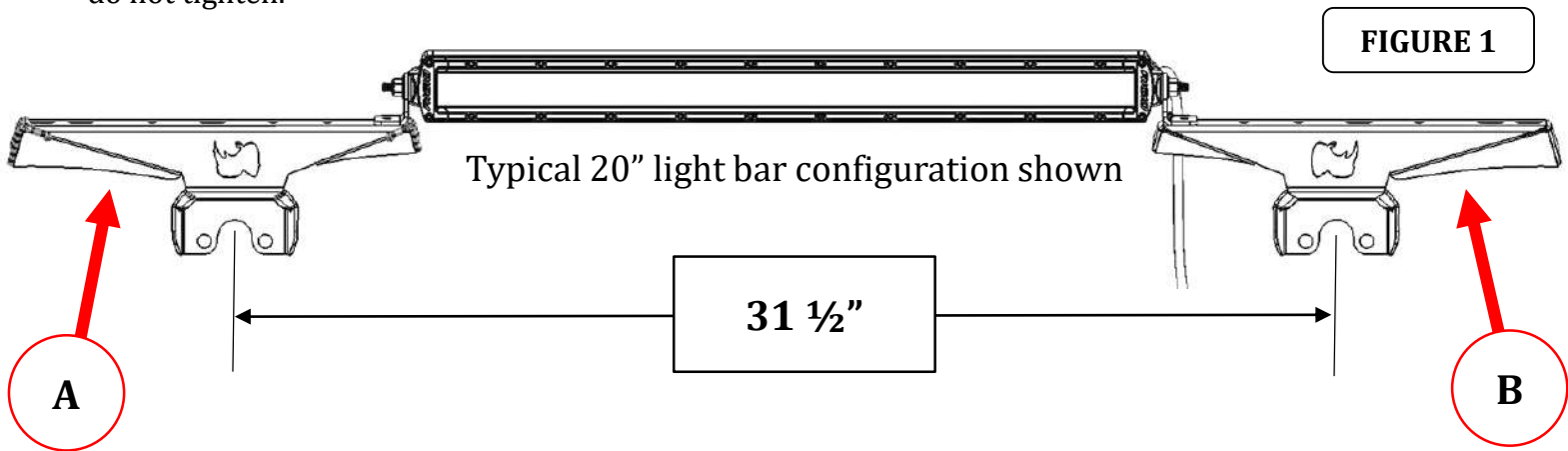
## INSTALLATION INSTRUCTIONS

**Step-1** The center to center measurement for the lift gate glass hinges is approximately 31 1/2". On a flat surface layout the driver and passenger side light bar mount brackets so the center to center measurement is approximately 31 1/2", (FIGURE 1).

**Step-2** Attach the brackets included with your light bar, to the light bar and position the light bar and bracket assembly above the Go Rhino light bar mount brackets, (FIGURE 1).

**Step-3** Determine which hole the light bar bracket aligns with in the Go Rhino light mount bracket then mark the location on each Go Rhino Light bar mount bracket.

**Step-4** Remove the brackets from the light bar and attach the brackets to the Go Rhino light mount brackets using the hardware included with the light bar, (FIGURE 2). Note: Leave the hardware loose, do not tighten.



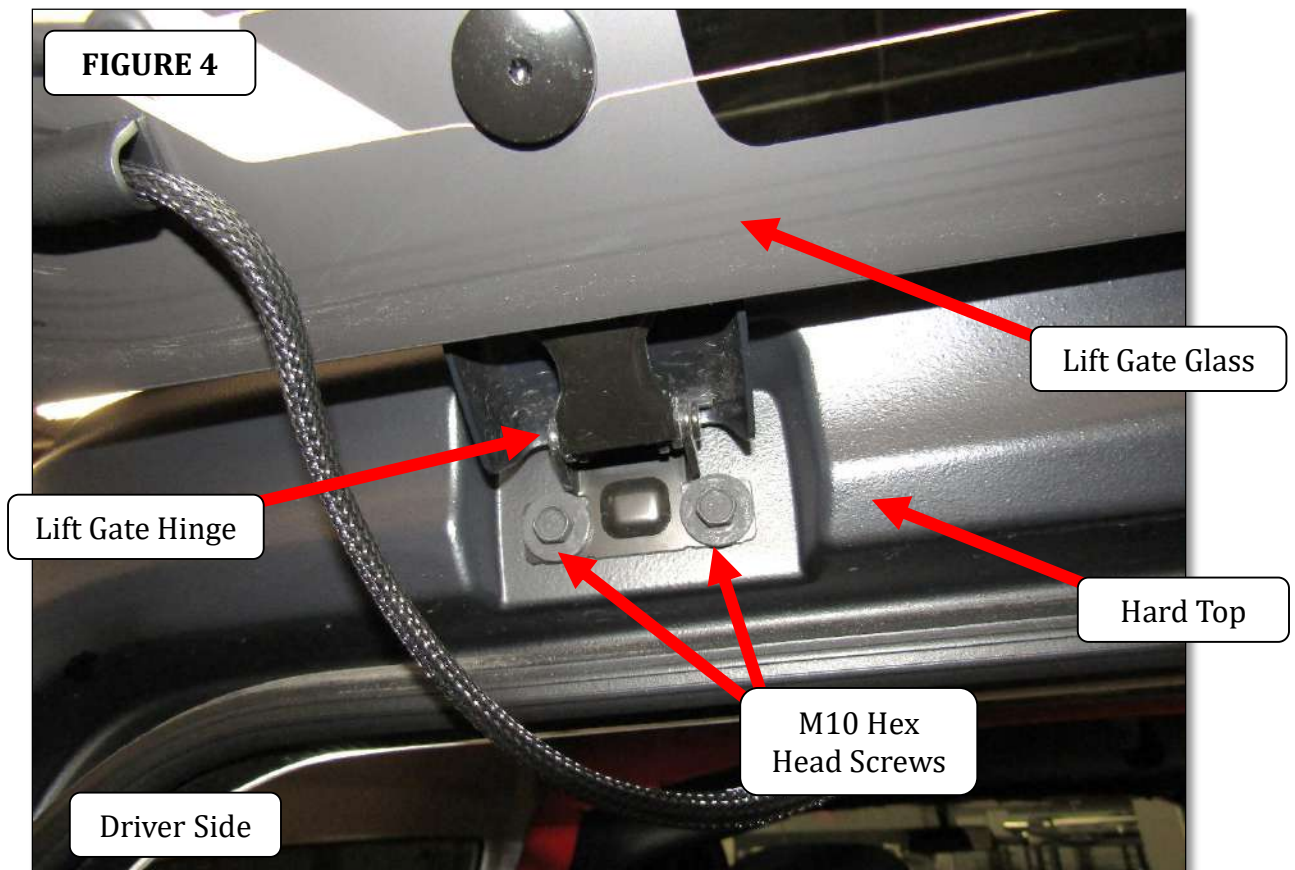
# GO RHINO®

## INSTALLATION INSTRUCTIONS

**Step-5** Identify the lift gate glass hinges, then open the tail gate and lift gate glass, (FIGURE 3).



**Step-6** Beginning on the drive side use an M10 socket and remove the (2) hex head screws securing the lift gate glass hinge to the hard top, (FIGURE 4).

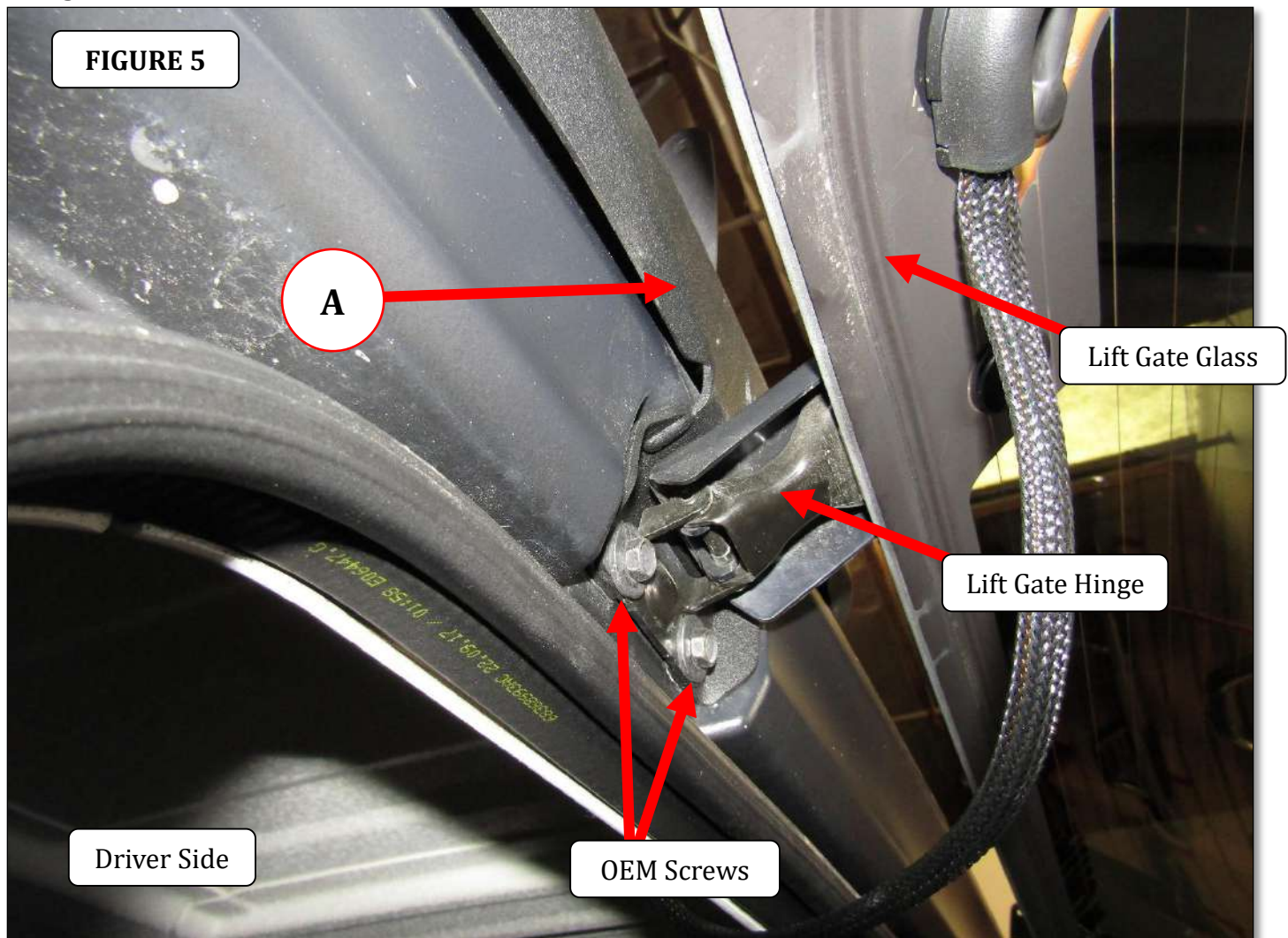




# GO RHINO®

## INSTALLATION INSTRUCTIONS

**Step-7** Install the supplied rubber channel to the bottom back edge of the driver side hard top light bar mount bracket then position the bracket mounting flange between the lift gate glass hinge and the hard top. Align the holes in the hard top light bar mount bracket mounting flange with the treads in the hard top and re-install the (2) OEM screws to secure the hard top light bar mount bracket, (FIGURE 5). Tighten the screws.



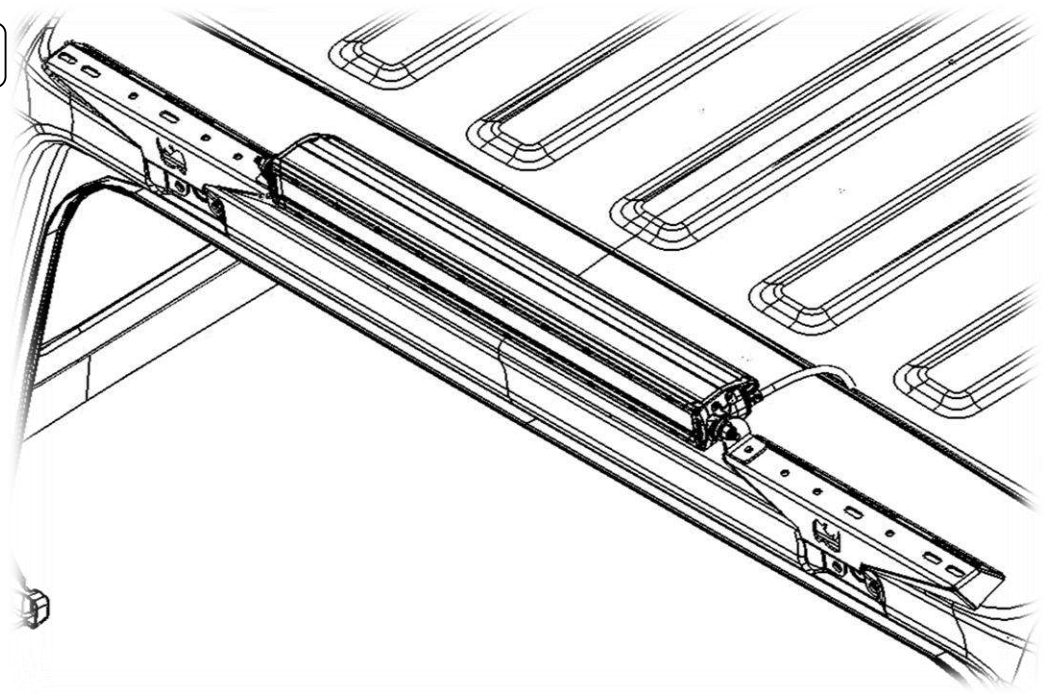
**Step-8** Repeat the installation steps to install the light bar bracket and hard top light bar mount bracket assembly on the passenger side of the vehicle.

# GORRHINO®

## INSTALLATION INSTRUCTIONS

**Step-9** Attach the light bar, to the light bar brackets using the hardware included with the light bar, (FIGURE 6 & 7). Adjust the light bar so the lens is in the desired position, then tighten all nuts and bolts. Remember to check and retighten all nuts and bolts periodically.

**FIGURE 6**



**FIGURE 7**

