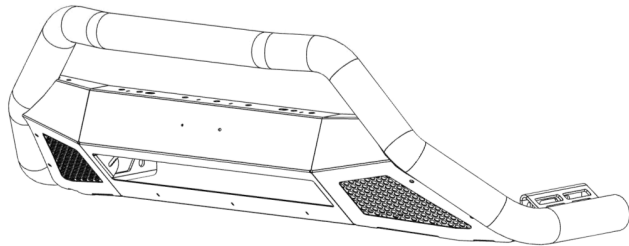
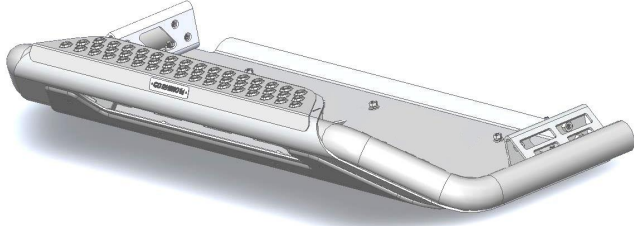


# GO RHINO®

## INSTALLATION INSTRUCTIONS



### PART NO.

- 569860T
- 549860T

### PRODUCT DESCRIPTION:

- RC3 LR SKID PLATE
- RC4 BULL BAR

### APPLICATION:

- FORD F-250 & F-350 SUPER DUTY

### PRODUCT SAFETY & LEGAL DISCLAIMER

- **IMPORTANT READ ALL INSTRUCTIONS CAREFULLY BEFORE INSTALLING, FAILURE TO DO SO MAY CAUSE PERSONAL INJURY OR DAMAGE TO PRODUCT AND/OR PROPERTY.**
- **Review the product package and contents prior to beginning the installation.** Take care when opening the packaging and removing items. If a return is needed you will want to return the product in its original packaging if possible.
- This instruction guide is provided as a GENERAL installation guide, some vehicles vary dimensionally and may require additional steps.
- Test fit the product on the vehicle prior to any third party modifications and or finishing. The manufacturer and/or distributors do not accept responsibility for third party charges, labor and or third part replacement modifications. Some modifications may void the factory warranty.
- Exercise due-diligence when installing this product. The manufacturer and distributors of this product do not accept any responsibility for vehicle damage or personal injury resulting from the installation of this product. Careless installation and operation can result in serious injury or equipment damage.
- This product is for general off-road use. All liability for installation and use rests with the owner/operator.
- **INSTALLER:** Once installation is complete, please return this guide along with other documentation included in this product back to the consumer for future reference. The manufacturer/distributors of this product do not guarantee this particular version will be available at a later date.



## INSTALLATION INSTRUCTIONS

### INJURY HAZARD

Please complete a shop and tool inspection prior to beginning the installation.

- Always make sure you have a clean, dry and well lit work area.
- Always remove jewelry, loose fitting clothing and wear protective gloves and eye protection.
- Always use extreme caution when jacking or raising a vehicle for work. Set the emergency brake and use tire/wheel blocks and jack stands. Refer to the vehicle manufacturer hand book. Utilize the vehicle manufacturers designated lifting points.
- Always use appropriate and adequate care in lifting parts during disassembly and installation. Seek help in lifting heavy or large items into place. Utilize jacks and or lifting devices when available.
- Always insure products are secure during disassembly and installation.
- Always wear eye protection and take steps to protect any exposed skin during the installations. Drilling, cutting and grinding plastic and metal may create flying particles that can cause injury.
- Always use extreme caution when drilling, cutting and or grinding on a vehicle. Thoroughly inspect the area to be drilled, on both sides of material, prior to modification and relocate any objects that may become damaged.
- Always assemble and tighten all fasteners per the installation instructions.
- Always route electrical cables carefully. Avoid moving parts, parts that may become hot and rough or sharp edges.
- Always insulate and protect all exposed wiring and electrical connections.

### MAINTENANCE AND CARE

- Always perform regular inspections and maintenance on mounts and related fasteners.
- Periodically check and tighten all fasteners.
- Stripped, fractured, or bent fasteners must be replaced.
- After washing the vehicle make sure to fully dry all surfaces.
- In areas with cold temperatures make sure to wash the product often to remove harmful materials used on road ways.
- Never use abrasive cleaners or polish compounds. Clean with a gentle soap and water. If you use wax use a non-abrasive automotive wax such as pure carnauba wax.

### WARNING

Some products have been designed to work together with factory rear sensor systems, factory forward facing sensor systems and factory air bags.

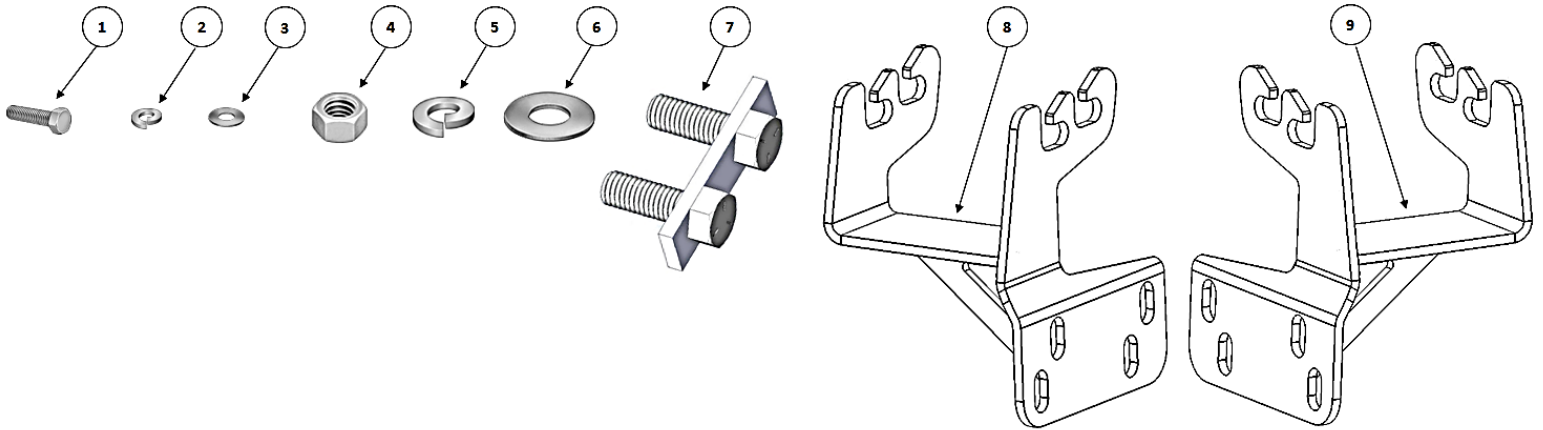
- Installation of some of these products may alter the factory sensor system performance.
- Factory sensors may read shackles or hooks protruding from the fairlead and or tow hooks.
- All sensor testing is completed by Go Rhino Products and or third party testing labs on modified vehicles.
- Sensor sensitivity, factory sensor housing, orientation, and operating conditions are all variables that will influence functionality of the sensors.
- Installation of some product may effect the factory air bag systems.
- Some products allow the use of third party products such as winches, shackles, hooks, etc. Follow the respective manufacturers operating instructions for use with our products.
- Make sure to fully understand the product, it's intended use and operation prior to use.
- Above all... be safe!

# GO RHINO®

## INSTALLATION INSTRUCTIONS

PARTS INCLUDED IN THIS LIST:

ITEM	QTY.	DESCRIPTION	ITEM	QTY.	DESCRIPTION
1	4	3/8" x 1 1/4" Hex Bolt	7	4	1/2" Double Bolt Plate
2	4	3/8" Lock Washer	8	1	Passenger Mounting Bracket
3	4	3/8" Flat Washer	9	1	Driver Mounting Bracket
4	8	1/2" Hex Nut	10	1	Pull Wire (not shown)
5	8	1/2" Lock Washer	11	1	RC3 / RC4 (not shown)
6	8	1/2" Flat Washer	12	1	Light Bar Installation Kit (not shown)



Go Rhino recommends you, the installer, read this installation instruction manual from front to back before installing the product.

### TOOLS NEEDED FOR INSTALLATION:

- 8mm, 18mm, 9/16" & 3/4" Sockets
- 8mm, 18mm, 9/16" & 3/4" Wrenches
- Ratchet, Ratchet Extensions & Swivel Joint Adapter

ESTIMATED TIME FOR INSTALLATION:

1 Hour

# GO RHINO®

## INSTALLATION INSTRUCTIONS

**Step-1** Using an 8mm socket and ratchet remove the (19) bolts securing the bumper valance panel to the bottom of the OEM bumper, (FIGURE1).

FIGURE 1

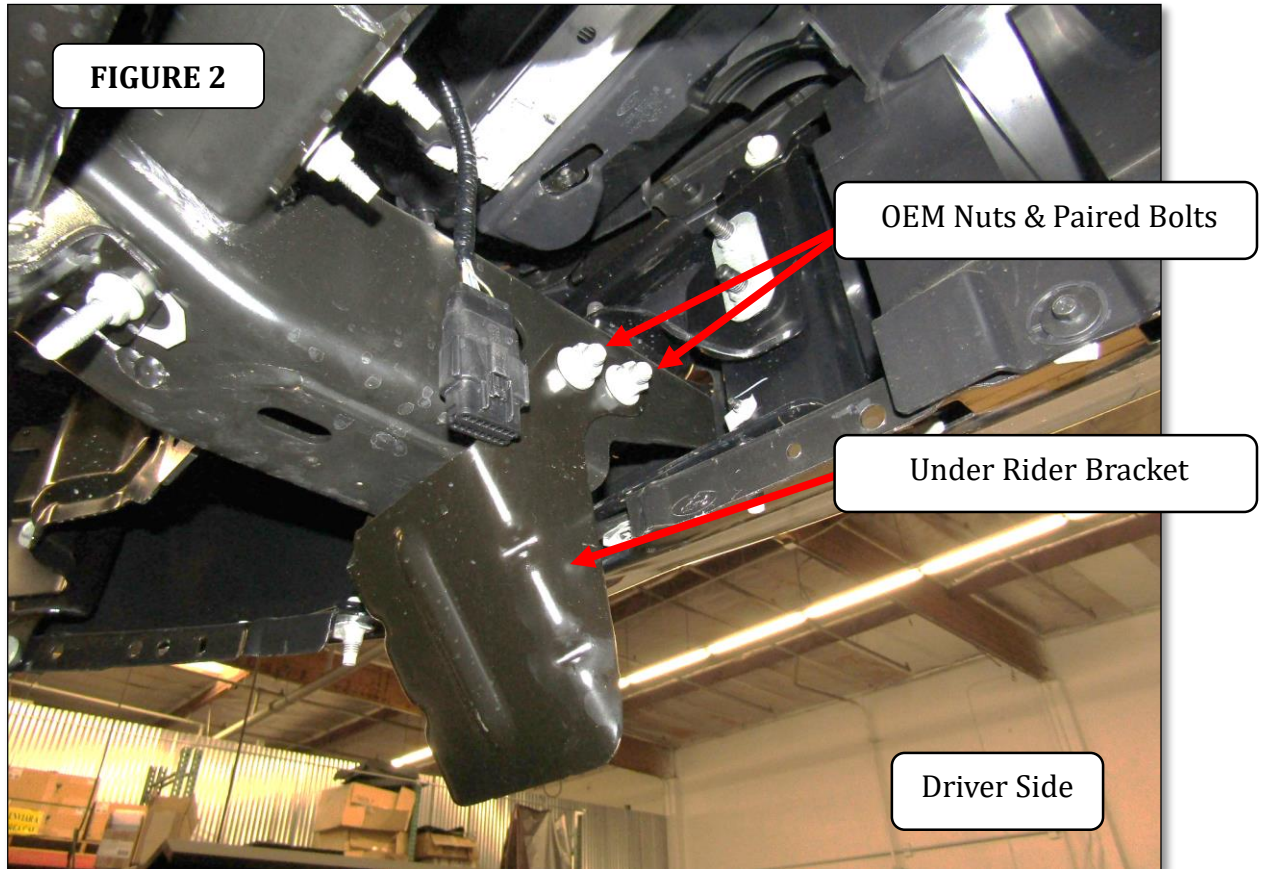


Valance Panel

# GO RHINO®

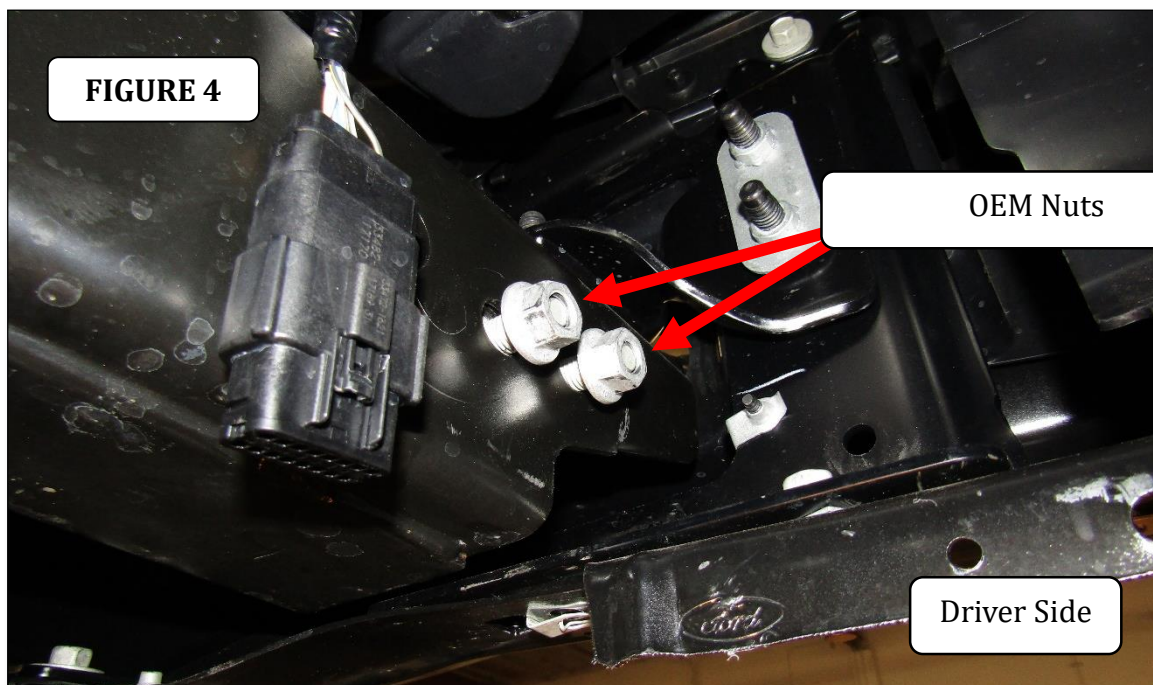
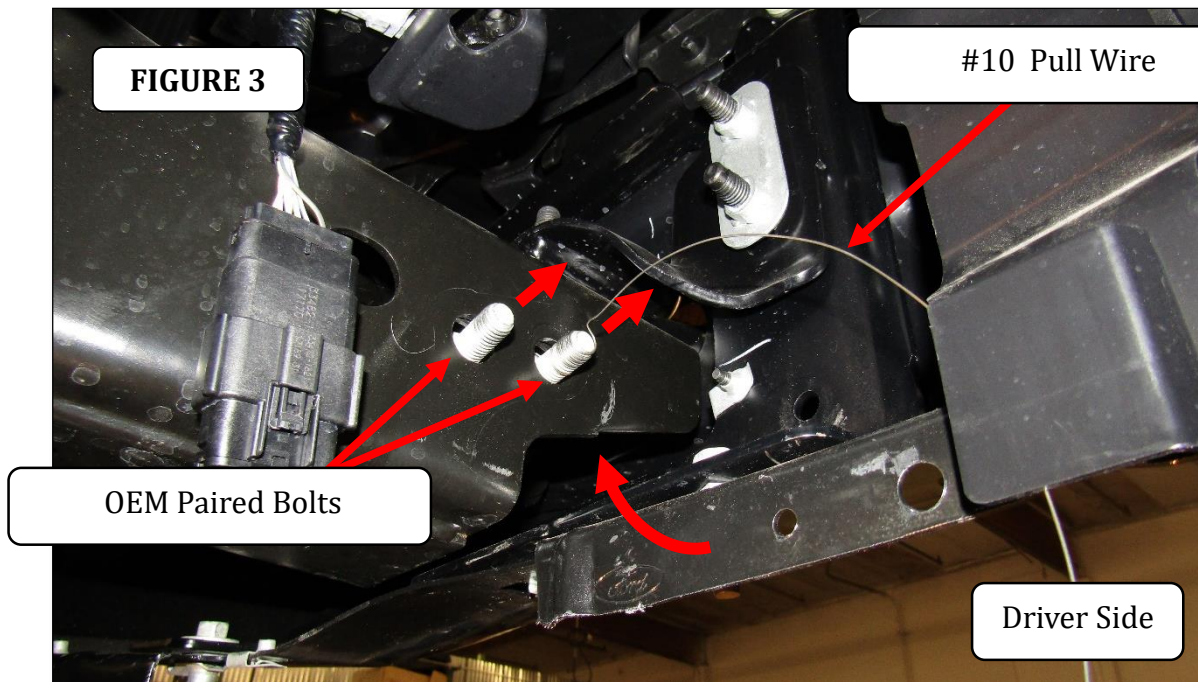
## INSTALLATION INSTRUCTIONS

**Step-2** Using an 18mm socket and ratchet remove the nuts and paired bolts securing the under rider brackets to each side of the frame rails. Retain the nuts and paired bolts as they will be reused for attachment of the RC3 mounting brackets, (FIGURE 2).



## INSTALLATION INSTRUCTIONS

**Step-3** Use the supplied pull wire to fish the OEM paired bolts through the holes in the frame used for attachment of the under rider brackets. Loosely install the OEM nuts to keep the paired bolts from falling into the frame, (FIGURE 3 & 4). **Note:** If your vehicle is not equipped with under rider brackets, attach the mounting bracket to the frame using the supplied ½" double bolt plate, washers and nuts.

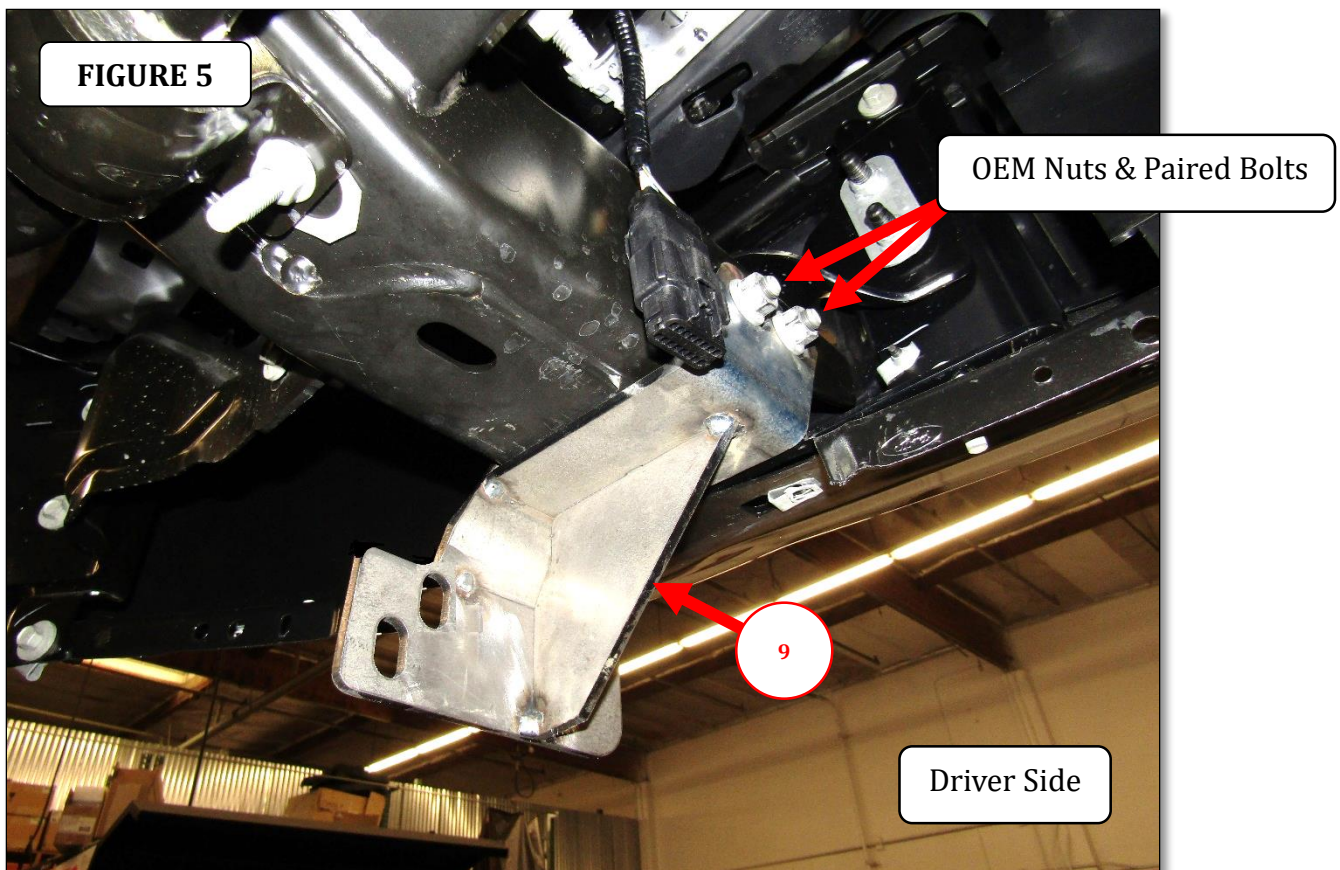


# GO RHINO®

## INSTALLATION INSTRUCTIONS

**Step-4** Install the driver's side mounting bracket by positioning the bracket up from the bottom of the frame, then position the bracket between the nuts and side of the frame, with the slots in the bracket over the paired bolts, (FIGURE 5).

**Step-5** Position the mounting bracket flush with the bottom of the frame then tighten the OEM nuts and paired bolts. Repeat steps 3 through 5 to install the passenger side mounting bracket.

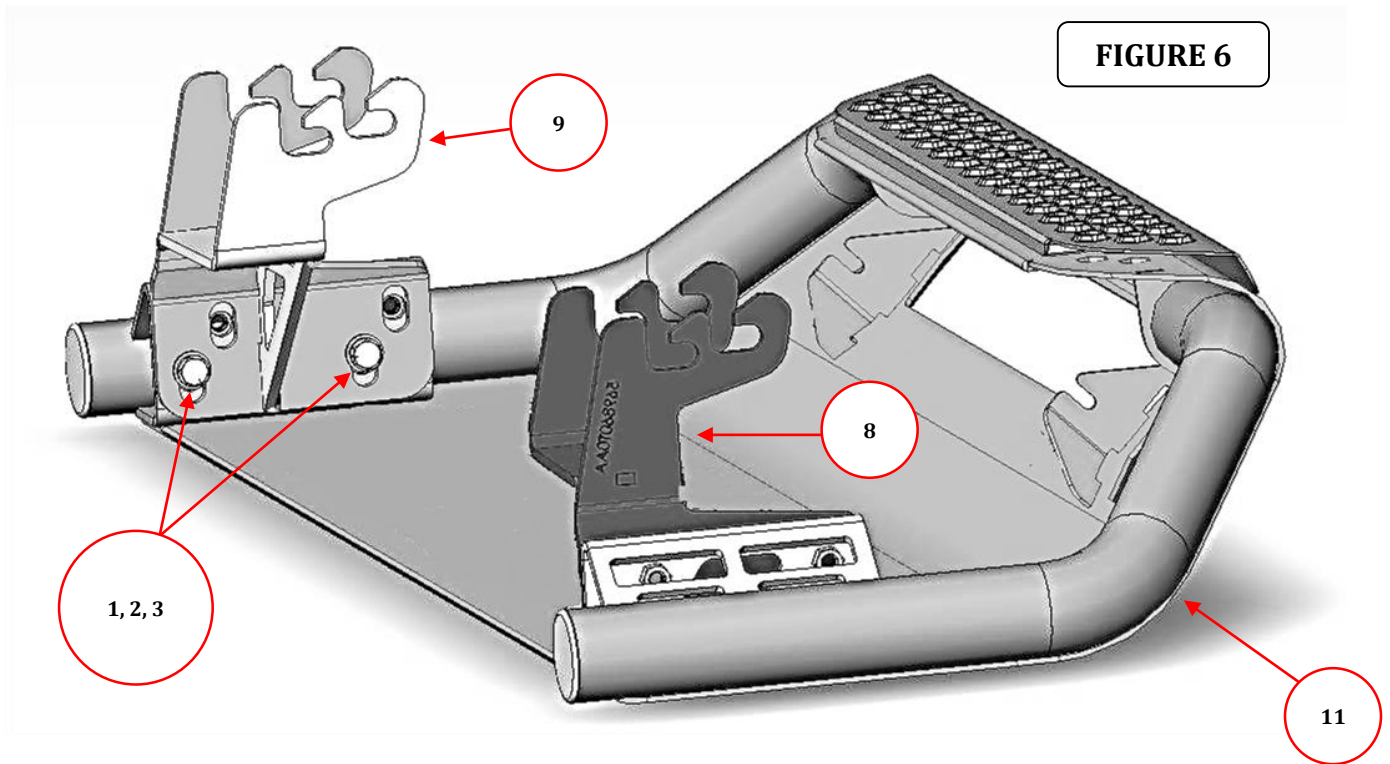


# GO RHINO®

## INSTALLATION INSTRUCTIONS

**Step-6** With assistance lift the RC3 or RC4 front guard up to the vehicle and position the RC3 or RC4 front guard brackets on the outside of the mounting brackets.

**Step-7** Align the holes in the mounting brackets with the weld nuts in the RC3 or RC4 front guard brackets, then secure each mounting bracket to the RC3 or RC4 front guard bracket using (2) 3/8" x 1 1/4" hex bolts, (2) 3/8" lock washers and (2) 3/8" flat washers, (FIGURE6). Leave the bolts loose for final adjustment



**Step-8** With assistance align and hold the RC3 or RC4 front guard in the desired position on the vehicle, then tighten all OEM and supplied nuts and bolts.

Optional: Measure, Cut and remove the area from the bumper valance panel to fit the contour of the RC3 or RC4 front guard then reinstall the bumper valance using the factory bolts.