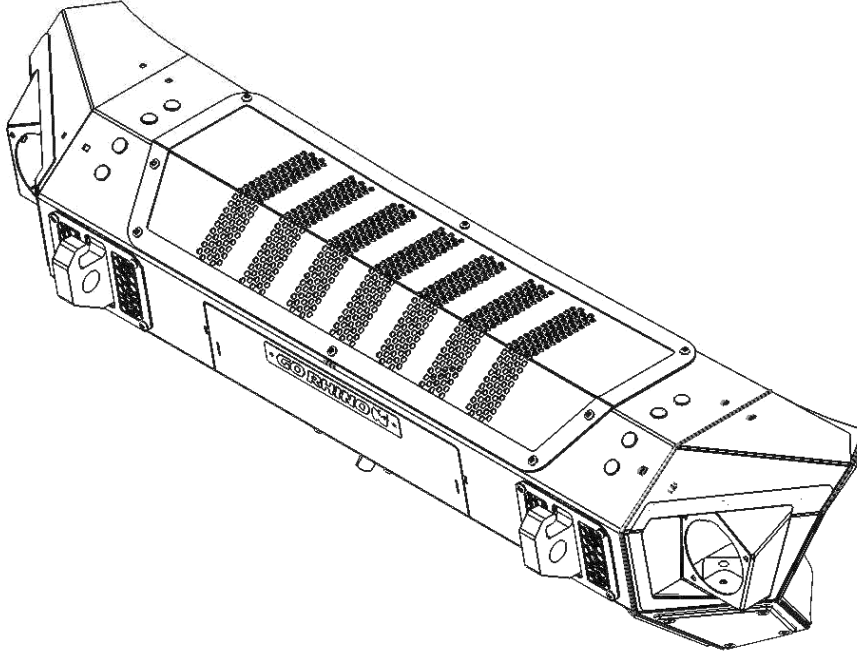


# GO RHINO®

## INSTALLATION INSTRUCTIONS



### PART NO.

- 230111T

### PRODUCT DESCRIPTION:

- TRAILLINE FRONT WINCH BUMPER-STUBBY

### APPLICATION:

- JEEP WRANGLER JK & JL

### PRODUCT SAFETY & LEGAL DISCLAIMER

- **IMPORTANT READ ALL INSTRUCTIONS CAREFULLY BEFORE INSTALLING, FAILURE TO DO SO MAY CAUSE PERSONAL INJURY OR DAMAGE TO PRODUCT AND/OR PROPERTY.**
- **Review the product package and contents prior to beginning the installation.** Take care when opening the packaging and removing items. If a return is needed you will want to return the product in its original packaging if possible.
- This instruction guide is provided as a GENERAL installation guide, some vehicles vary dimensionally and may require additional steps.
- Test fit the product on the vehicle prior to any third party modifications and or finishing. The manufacturer and/or distributors do not accept responsibility for third party charges, labor and or third part replacement modifications. Some modifications may void the factory warranty.
- Exercise due-diligence when installing this product. The manufacturer and distributors of this product do not accept any responsibility for vehicle damage or personal injury resulting from the installation of this product. Careless installation and operation can result in serious injury or equipment damage.
- This product is for general off-road use. All liability for installation and use rests with the owner/operator.
- **INSTALLER:** Once installation is complete, please return this guide along with other documentation included in this product back to the consumer for future reference. The manufacturer/distributors of this product do not guarantee this particular version will be available at a later date.



## INSTALLATION INSTRUCTIONS

### INJURY HAZARD

Please complete a shop and tool inspection prior to beginning the installation.

- Always make sure you have a clean, dry and well lit work area.
- Always remove jewelry, loose fitting clothing and wear protective gloves and eye protection.
- Always use extreme caution when jacking or raising a vehicle for work. Set the emergency brake and use tire/wheel blocks and jack stands. Refer to the vehicle manufacturer hand book. Utilize the vehicle manufacturers designated lifting points.
- Always use appropriate and adequate care in lifting parts during disassembly and installation. Seek help in lifting heavy or large items into place. Utilize jacks and or lifting devices when available.
- Always insure products are secure during disassembly and installation.
- Always wear eye protection and take steps to protect any exposed skin during the installations. Drilling, cutting and grinding plastic and metal may create flying particles that can cause injury.
- Always use extreme caution when drilling, cutting and or grinding on a vehicle. Thoroughly inspect the area to be drilled, on both sides of material, prior to modification and relocate any objects that may become damaged.
- Always assemble and tighten all fasteners per the installation instructions.
- Always route electrical cables carefully. Avoid moving parts, parts that may become hot and rough or sharp edges.
- Always insulate and protect all exposed wiring and electrical connections.

### MAINTENANCE AND CARE

- Always perform regular inspections and maintenance on mounts and related fasteners.
- Periodically check and tighten all fasteners.
- Stripped, fractured, or bent fasteners must be replaced.
- After washing the vehicle make sure to fully dry all surfaces.
- In areas with cold temperatures make sure to wash the product often to remove harmful materials used on road ways.
- Never use abrasive cleaners or polish compounds. Clean with a gentle soap and water. If you use wax use a non-abrasive automotive wax such as pure carnauba wax.

### WARNING

Some products have been designed to work together with factory rear sensor systems, factory forward facing sensor systems and factory air bags.

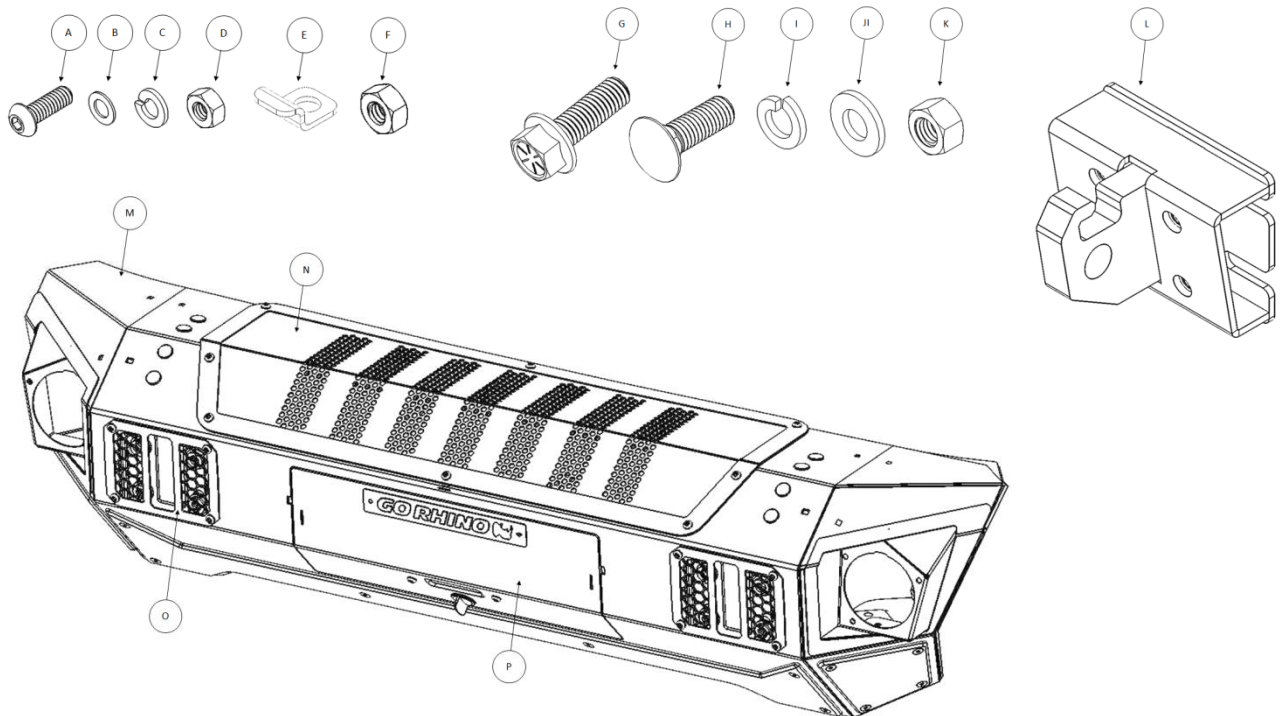
- Installation of some of these products may alter the factory sensor system performance.
- Factory sensors may read shackles or hooks protruding from the fairlead and or tow hooks.
- All sensor testing is completed by Go Rhino Products and or third party testing labs on modified vehicles.
- Sensor sensitivity, factory sensor housing, orientation, and operating conditions are all variables that will influence functionality of the sensors.
- Installation of some product may effect the factory air bag systems.
- Some products allow the use of third party products such as winches, shackles, hooks, etc. Follow the respective manufacturers operating instructions for use with our products.
- Make sure to fully understand the product, it's intended use and operation prior to use.
- Above all... be safe!

# GO RHINO®

## INSTALLATION INSTRUCTIONS

PARTS INCLUDED IN THIS LIST:

ITEM	QTY.	DESCRIPTION	ITEM	QTY.	DESCRIPTION
A	6	1/4" x 3/4" Button Head Hex Drive Screw	I	8	1/2" Lock Washer
B	6	1/4" Flat Washer (Plastic)	J	16	1/2" Flat Washer
C	6	1/4" Lock Washer	K	8	1/2" Hex Nut
D	6	1/4" Hex Nut	L	2	Frame Bracket
E	6	Offset Clip	M	1	Trail line Front Winch Bumper-Stubby
F	2	3/8" Hex Nut	N	1	Removable Center Cover (Pre-Installed)
G	8	1/2" x 1 1/2" Flange Head Bolt	O	2	Mesh Cover (Pre-Installed)
H	8	1/2" X 1 1/2" Carriage Bolt	P	1	Gear Drawer (Pre-Installed)



Go Rhino recommends you, the installer, read this installation instruction manual from front to back before installing the product.

### TOOLS NEEDED FOR INSTALLATION:

- Inch & Metric Sockets / Ratchet, Ratchet Extensions & Swivel Joint Adapter
- Inch & Metric Wrenches
- Slotted Screw Driver or Panel clip removal tool
- 5/32" Hex Key
- Drill Motor & 1/2" Drill Bit

ESTIMATED TIME FOR INSTALLATION:

1 1/2 hrs.

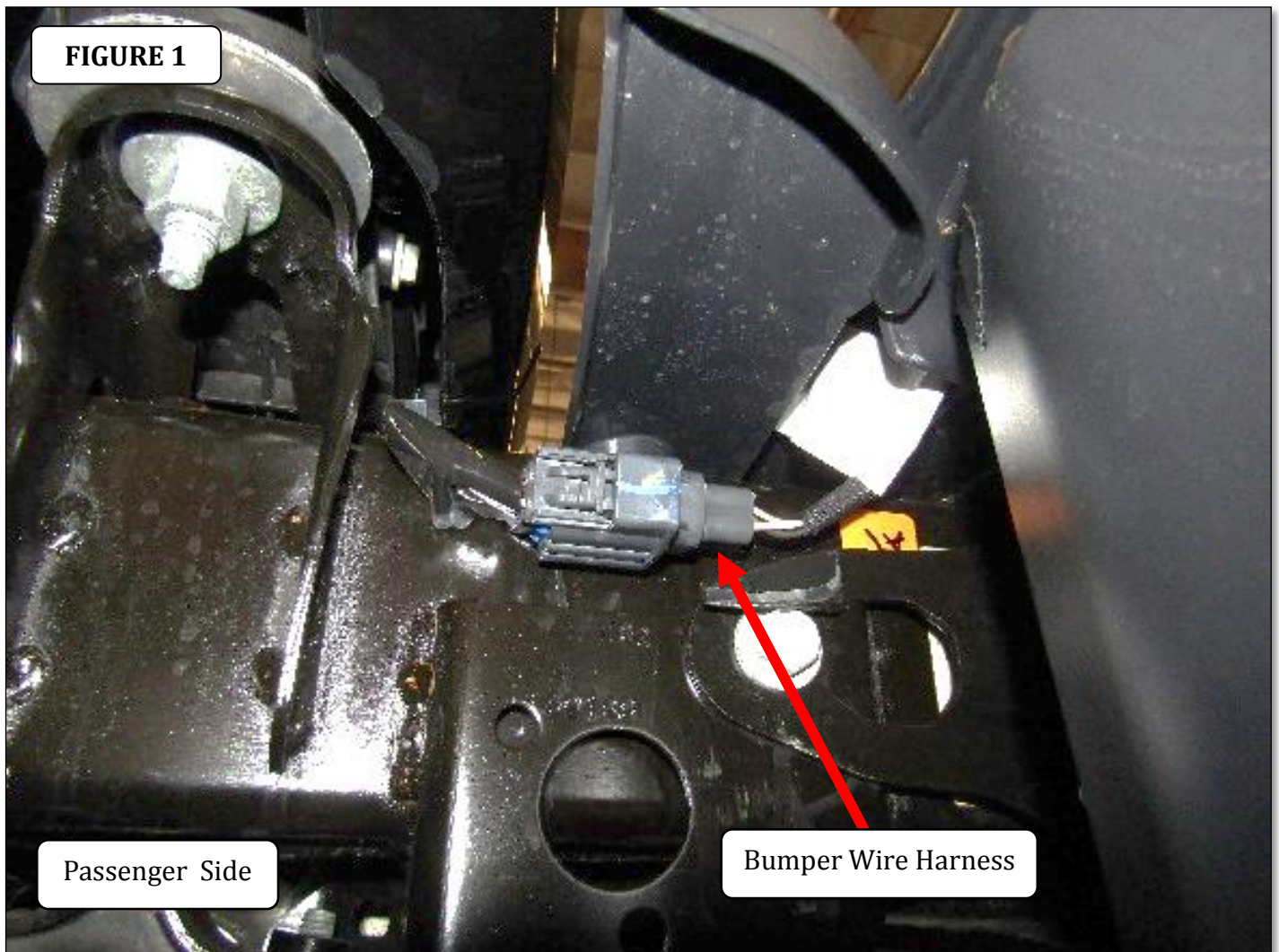
# GO RHINO<sup>®</sup>

## INSTALLATION INSTRUCTIONS

### Wrangler JL OEM Bumper Removal

**Step-1** Open the hood and disconnect the vehicle battery or batteries.

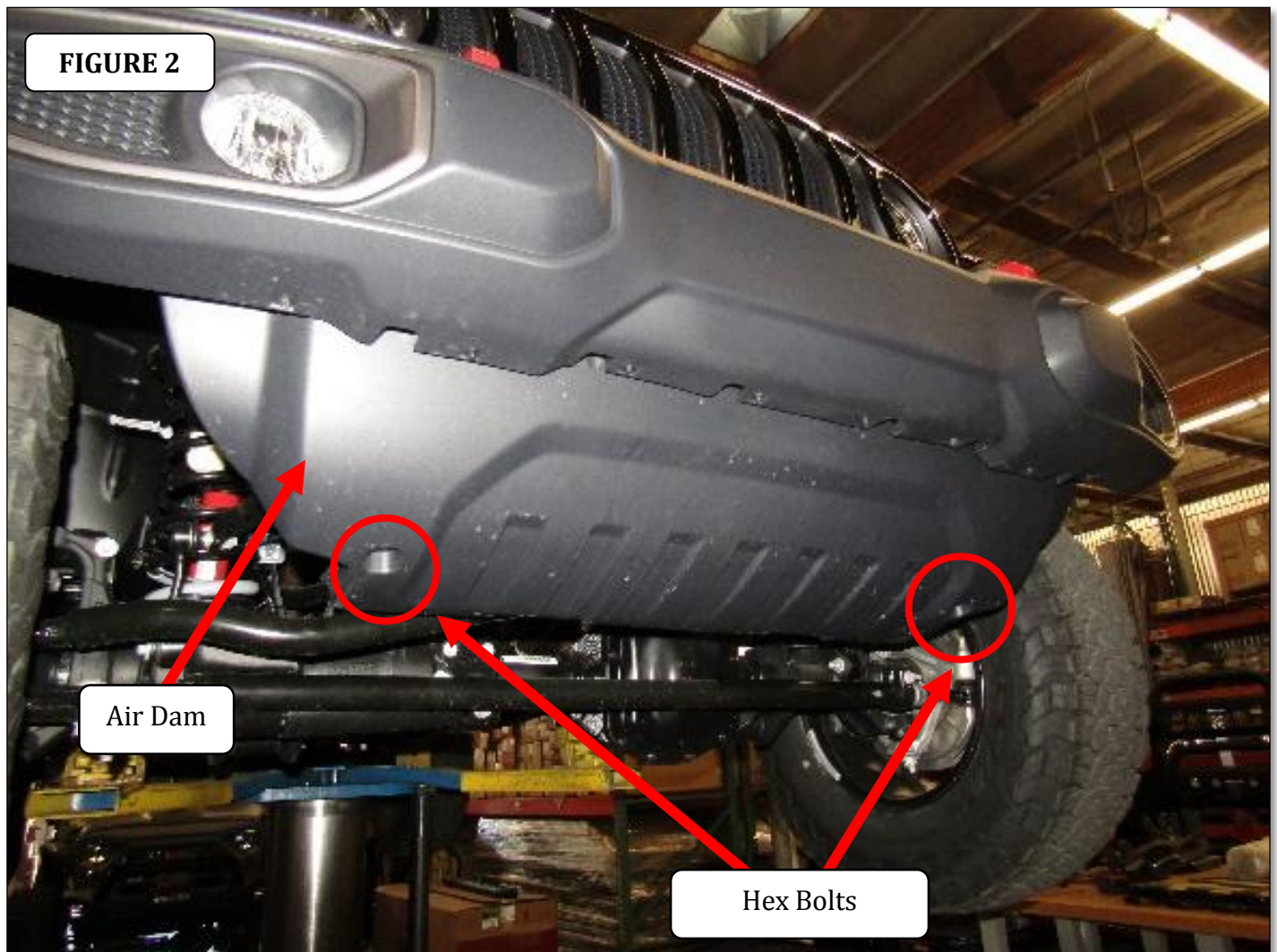
**Step-2** On the passenger side, disconnect the bumper wire harness from the vehicle wire harness, (FIGURE 1).



# GORRHINO<sup>®</sup>

## INSTALLATION INSTRUCTIONS

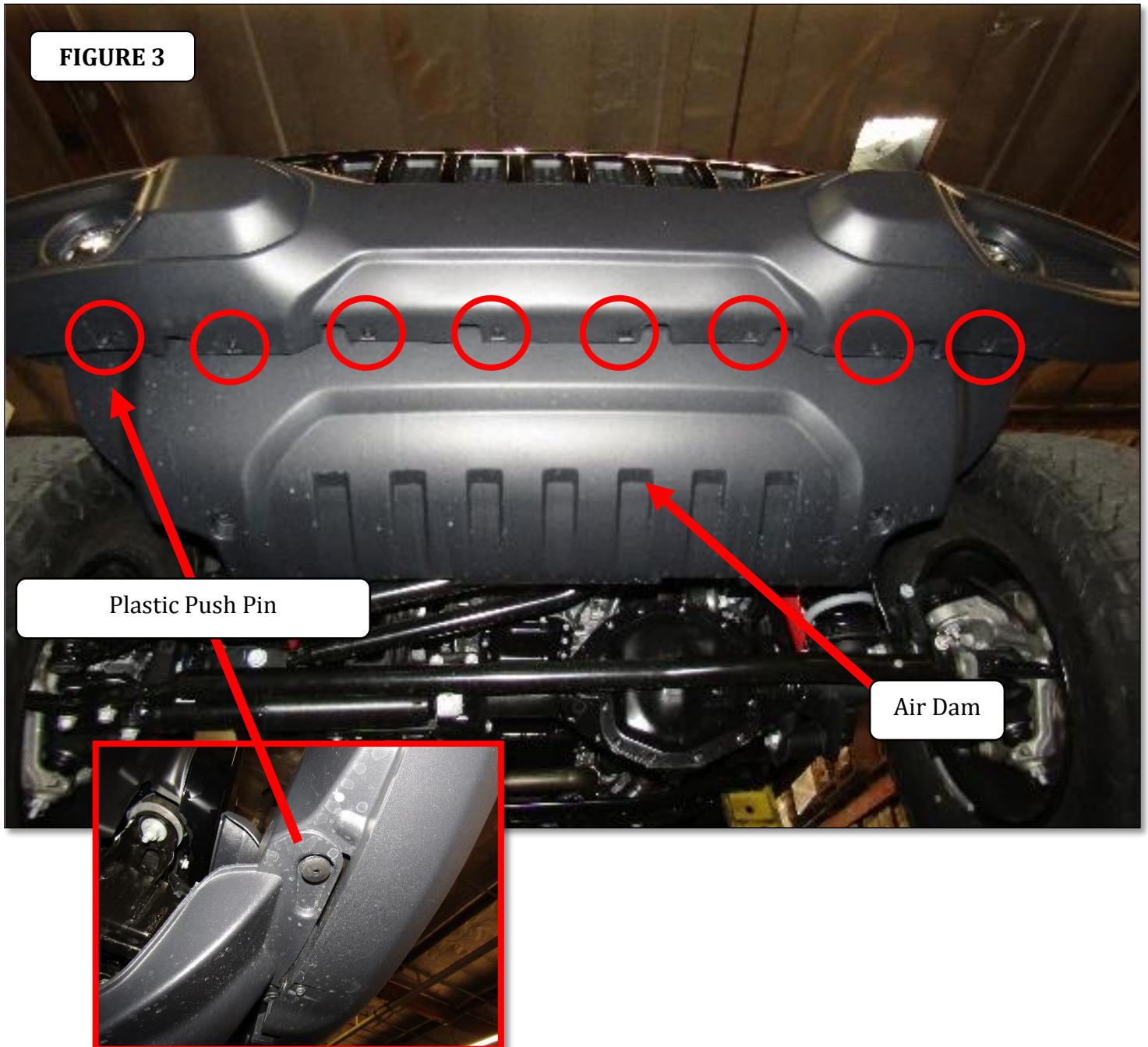
**Step-3** Using an 8mm socket, remove (1) hex bolt on each side of the vehicle securing the air dam to the metal shield behind the air dam, (FIGURE 2).



# GO RHINO<sup>®</sup>

## INSTALLATION INSTRUCTIONS

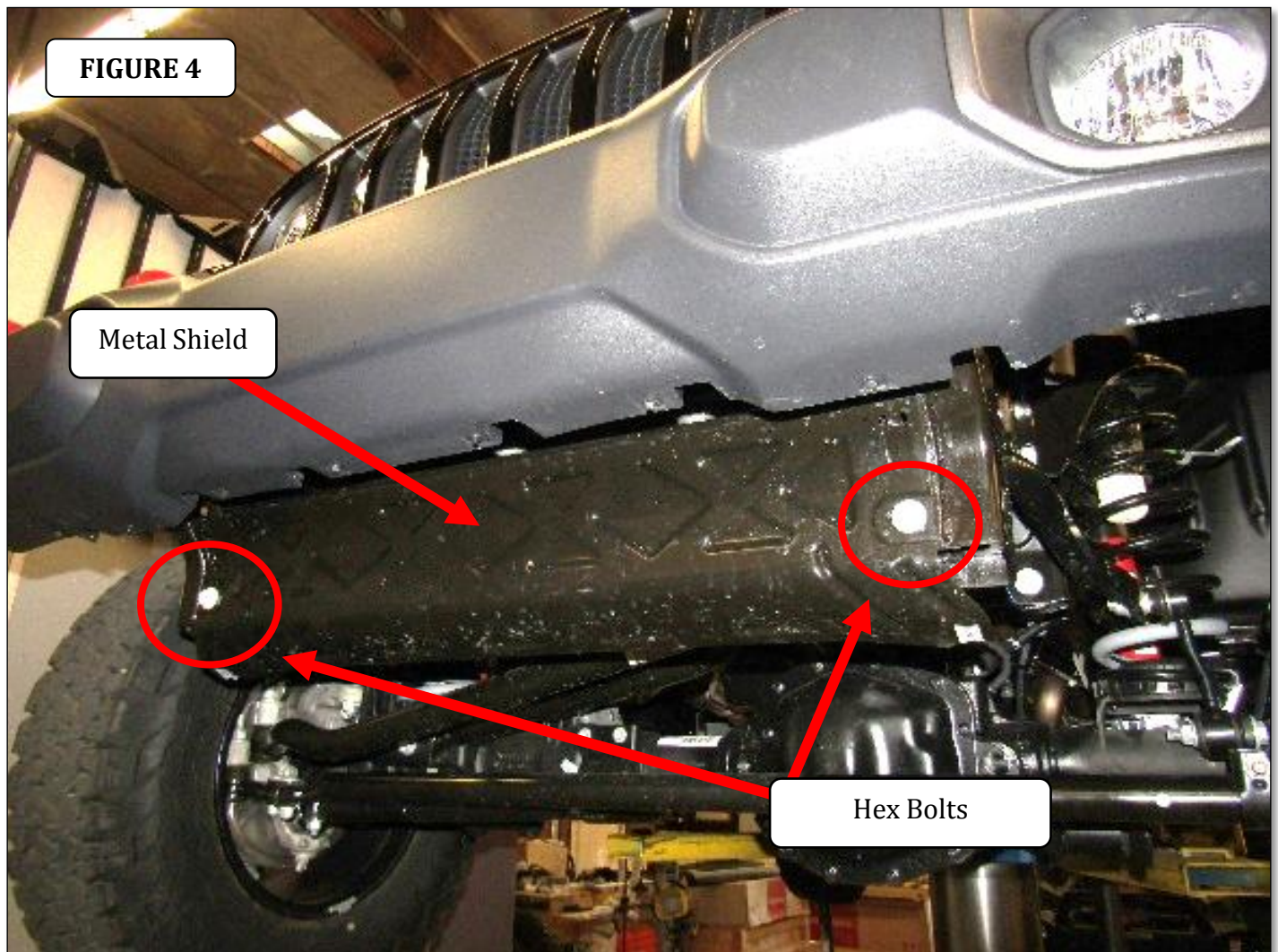
**Step-4** Using a slot screwdriver or panel clip removal tool, remove the (8) plastic push pins securing the air dam to the bumper, (FIGURE 3). Remove the air dam from the vehicle.



# GO RHINO®

## INSTALLATION INSTRUCTIONS

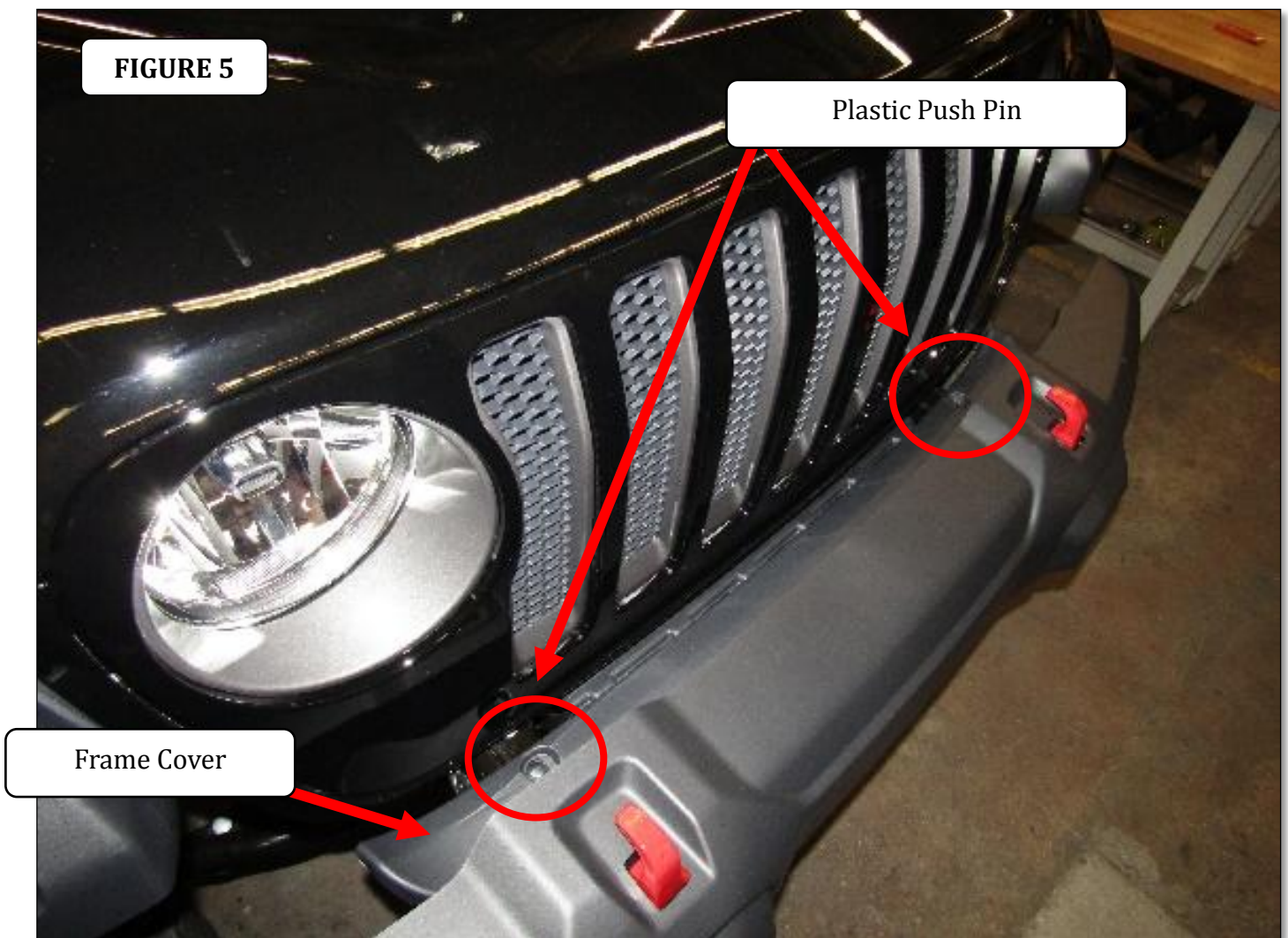
**Step-5** Using a 16mm socket remove, the (2) hex bolts securing the metal shield to the frame, (FIGURE 4). Remove the metal shield from the vehicle.



# GORRHINO<sup>®</sup>

## INSTALLATION INSTRUCTIONS

**Step-6** on each side of the vehicle, use a slot screwdriver or panel clip removal tool and remove (1) plastic push pin securing the frame cover to the frame rail, (FIGURE 5).

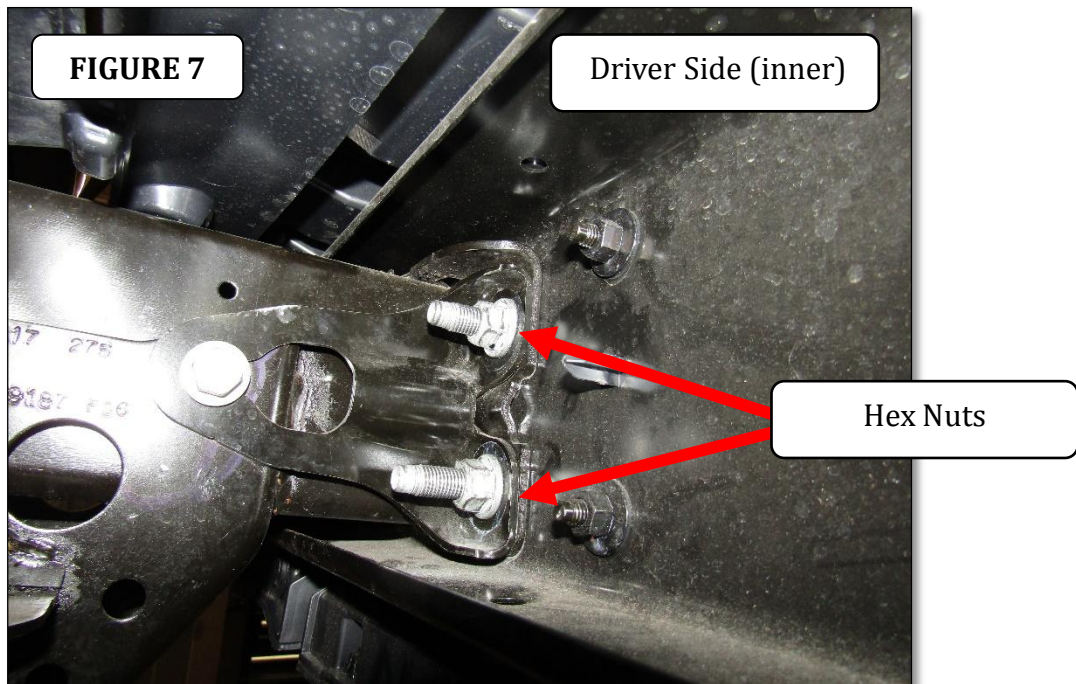
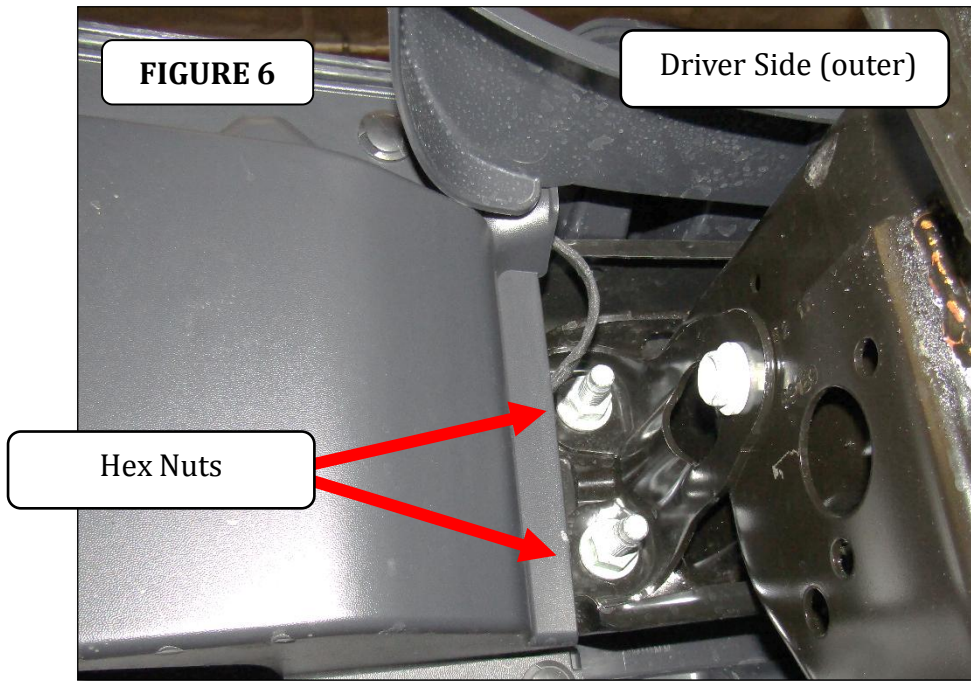




# GORRHINO<sup>®</sup>

## INSTALLATION INSTRUCTIONS

**Step-7** On each side of the vehicle, use an 18mm socket and remove the (2) hex nuts from the studs on each side of the vehicle frame securing the OEM front bumper to the frame, (FIGURE 6 & 7).

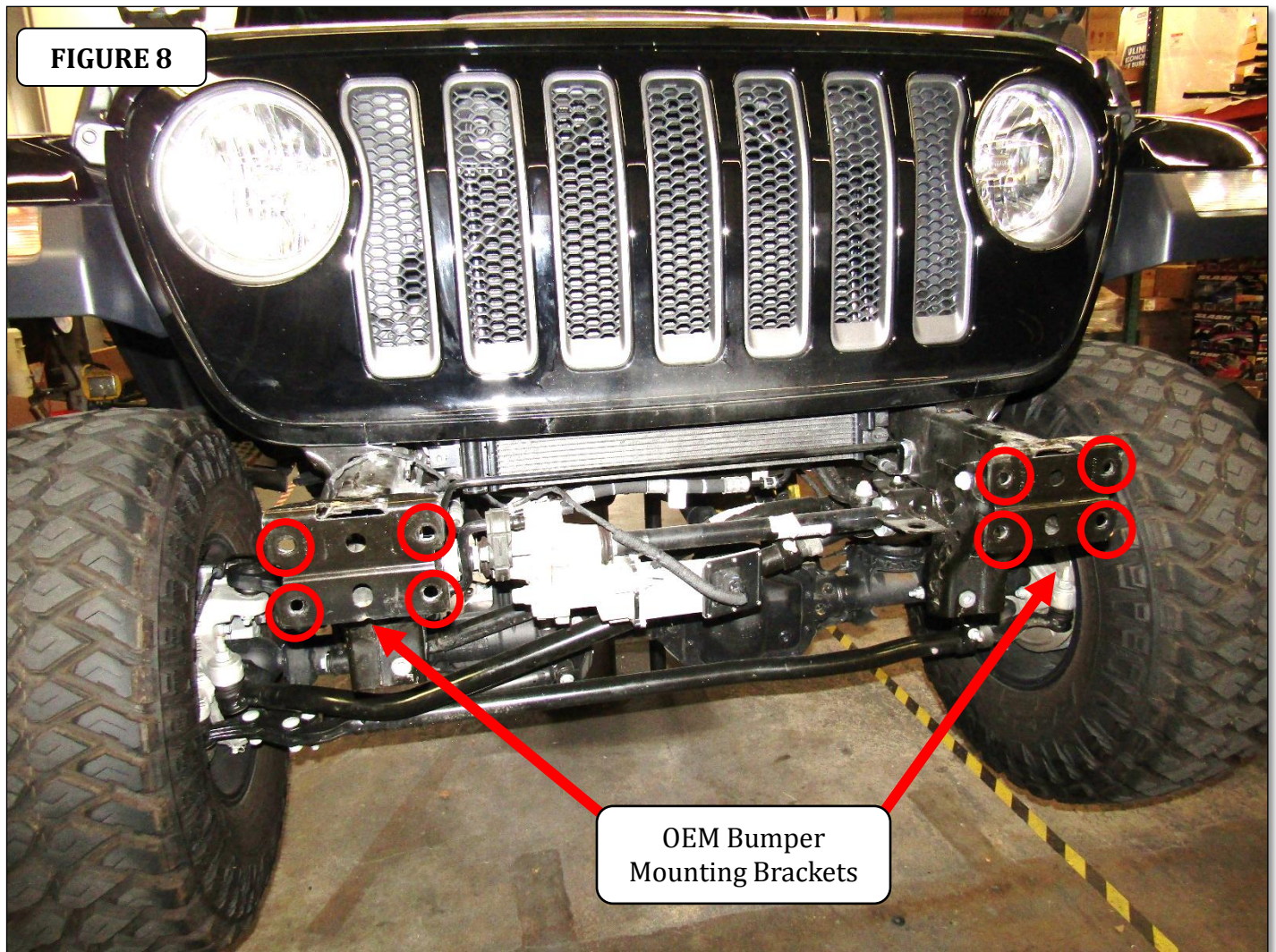


# GO RHINO®

## INSTALLATION INSTRUCTIONS

**Step-8** With assistance remove the OEM front bumper from the vehicle.

**Step-9** On each side of the vehicle, drill the OEM bumper mounting bracket holes to 1/2", (FIGURE 8).



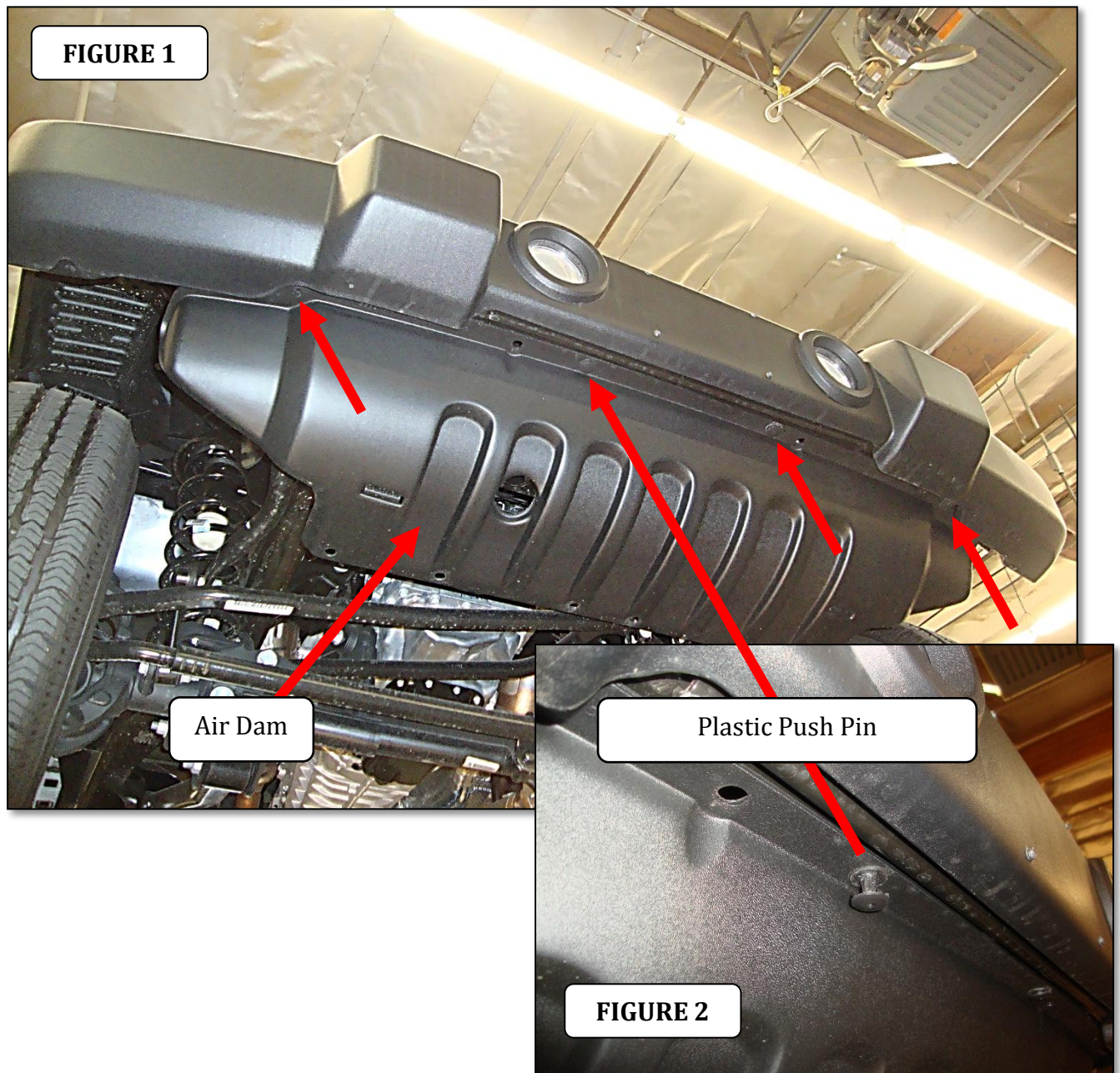
# GO RHINO®

## INSTALLATION INSTRUCTIONS

### Wrangler JK OEM Bumper Removal

**Step-1** Open hood and disconnect the vehicle battery or batteries.

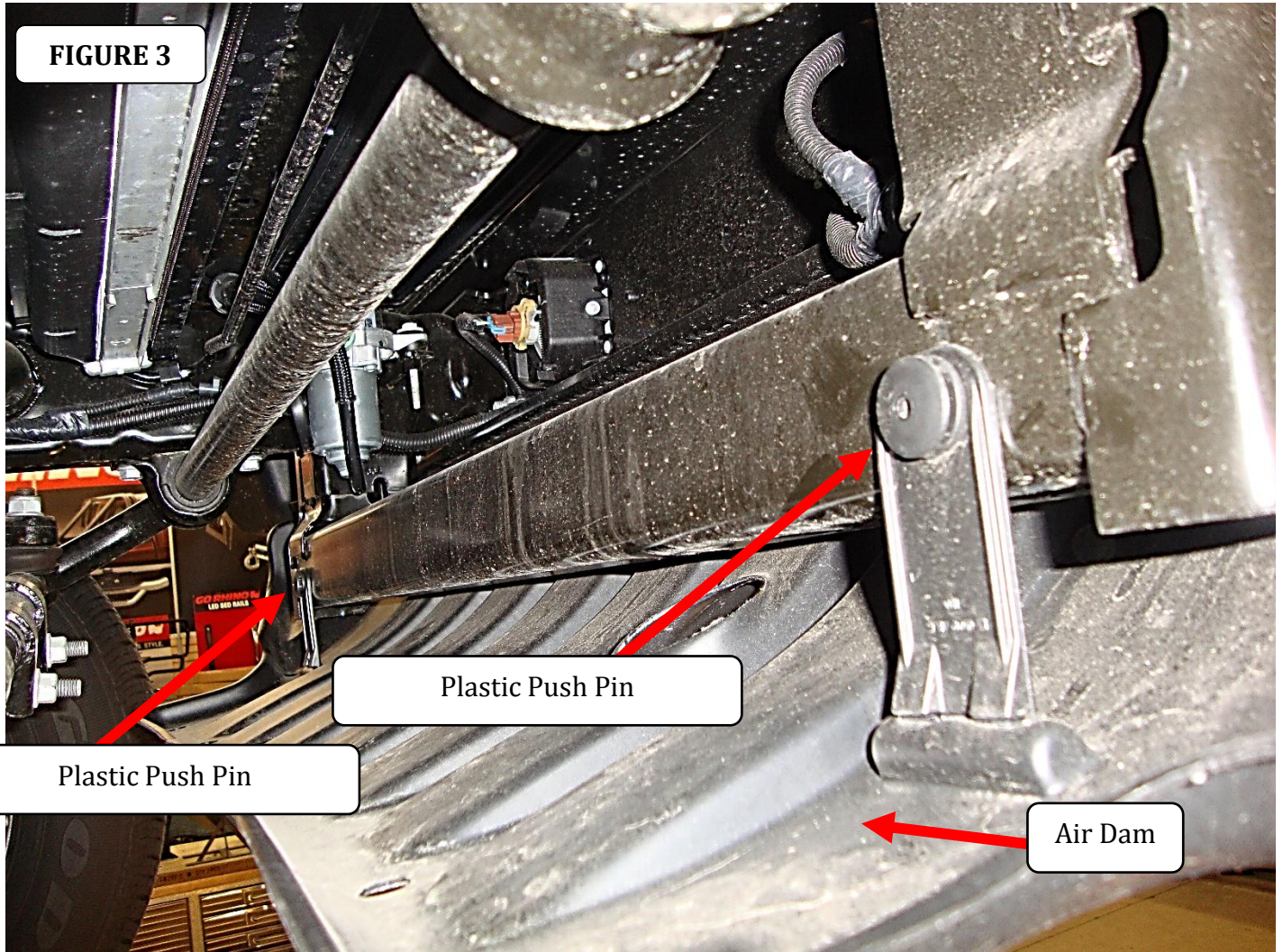
**Step-2** Begin by using a slotted screwdriver, pry and remove the (4) plastic push pins securing the front of the air dam to the bottom of the factory bumper, (FIGURE 1 & 2).



# GO RHINO®

## INSTALLATION INSTRUCTIONS

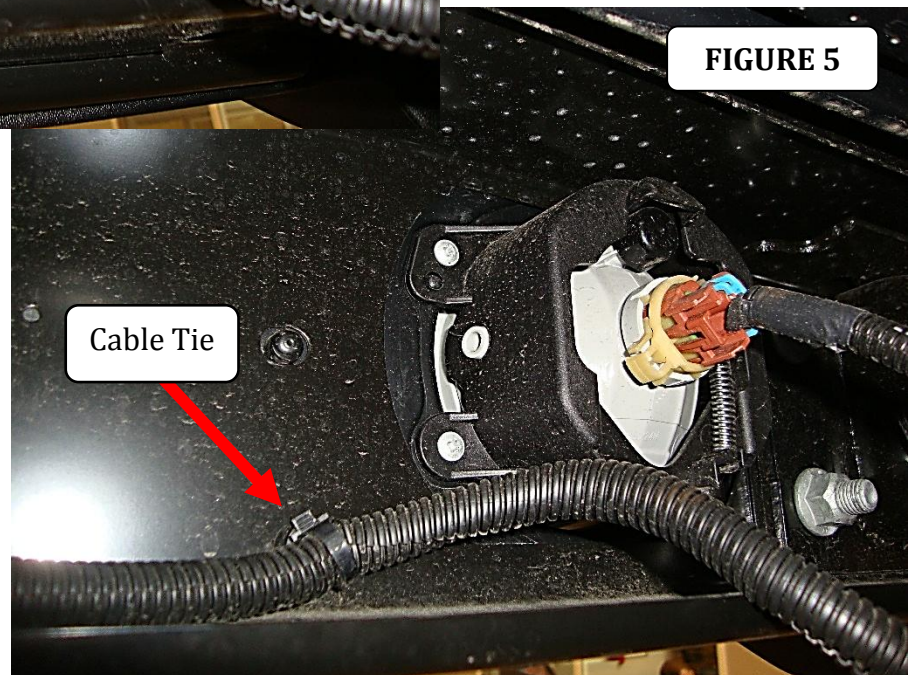
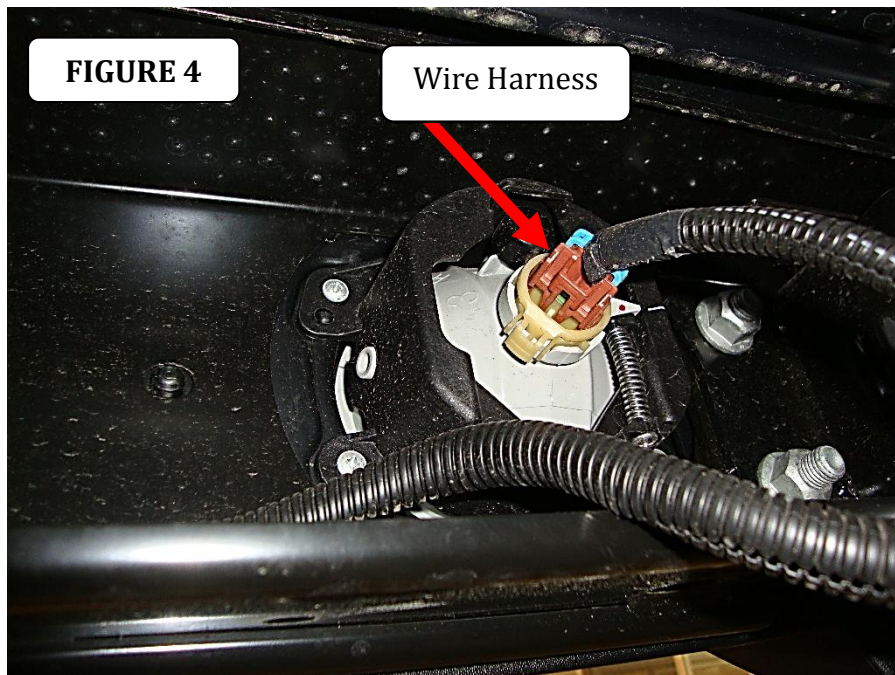
**Step-3** Remove the (2) plastic pushpins securing the rear of the air dam to the frame cross member, and remove the air dam from the underside of the vehicle, (FIGURE 3).



# GO RHINO®

## INSTALLATION INSTRUCTIONS

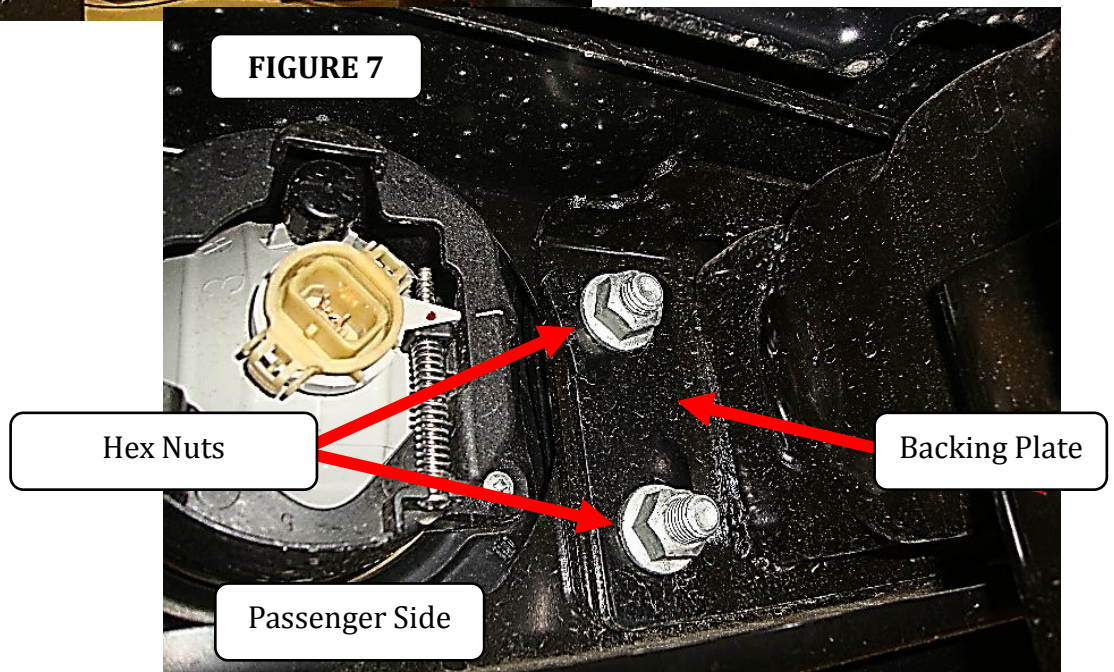
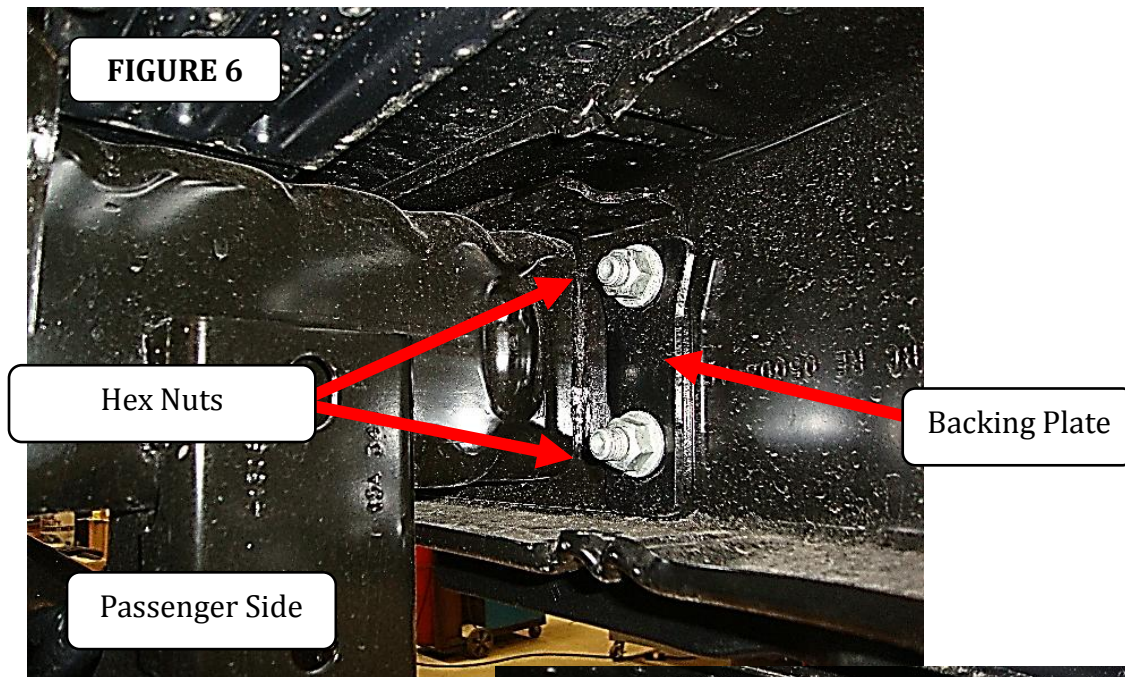
**Step-4** If equipped, disconnect the wiring harness from the fog lights and unclip the cable ties securing the wiring harness to the factory bumper, (FIGURE 4 & 5).



# GORRHINO®

## INSTALLATION INSTRUCTIONS

**Step-5** On each side of the vehicle, remove the (4) hex nuts from the studs securing the factory bumper to the frame using an 18mm socket, (Figure 6 & 7). **Note:** Remove (4) backing plates behind the nuts and save for installation with supplied frame brackets.

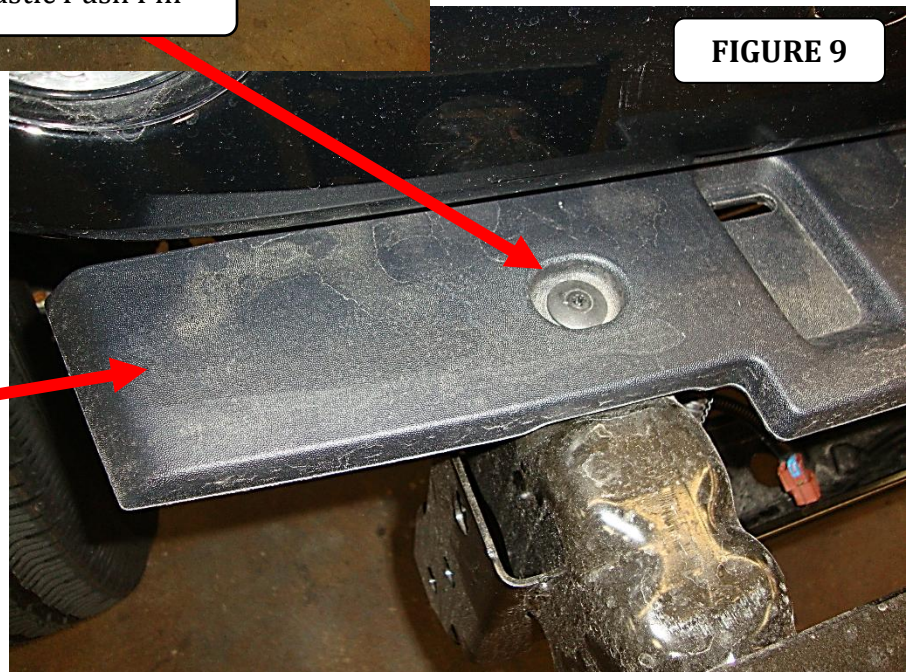
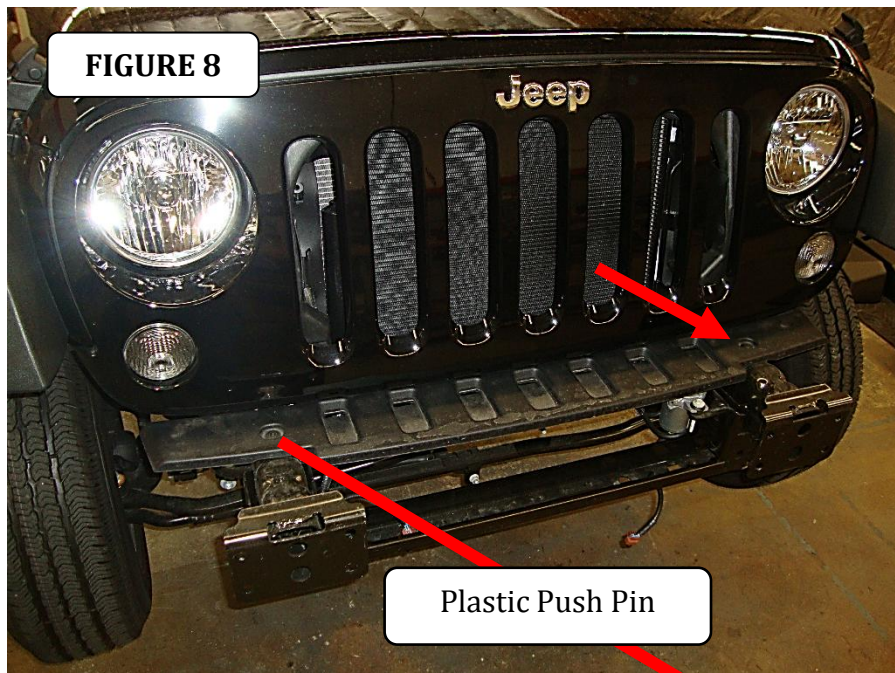


# GORRHINO<sup>®</sup>

## INSTALLATION INSTRUCTIONS

**Step-6** With assistance remove the factory bumper from the vehicle and set aside.

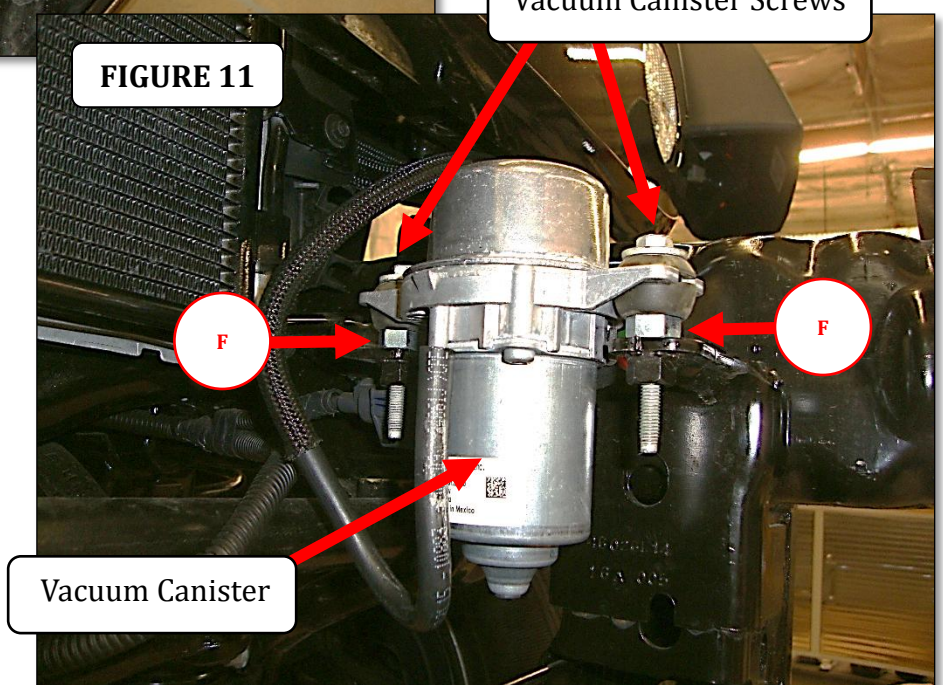
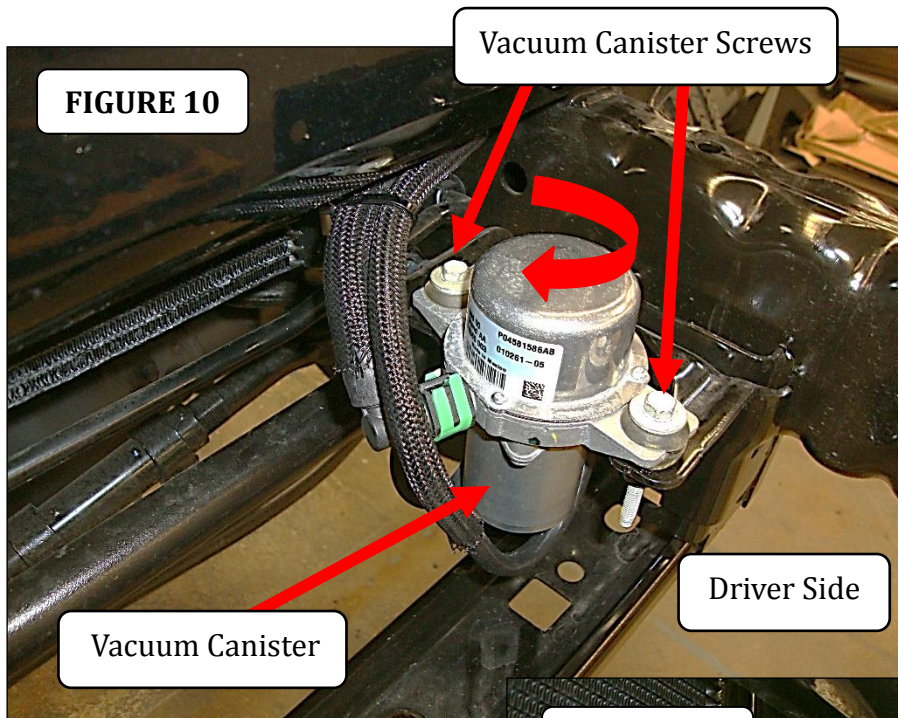
**Step-7** Using a Phillips screwdriver remove the (2) fastener securing the frame cover to the top of the frame, (FIGURE 8 & 9). Remove the cover from the vehicle.



# GO RHINO®

## INSTALLATION INSTRUCTIONS

**Step-8** Using a 10mm socket remove the (2) screws securing the vacuum canister to the frame bracket. Lift and rotate the canister clockwise 180 degrees, then place (1) 3/8" hex nut under each of the canisters mounting flanges and reinstall, and tighten the screws, (FIGURE 10 & 11).



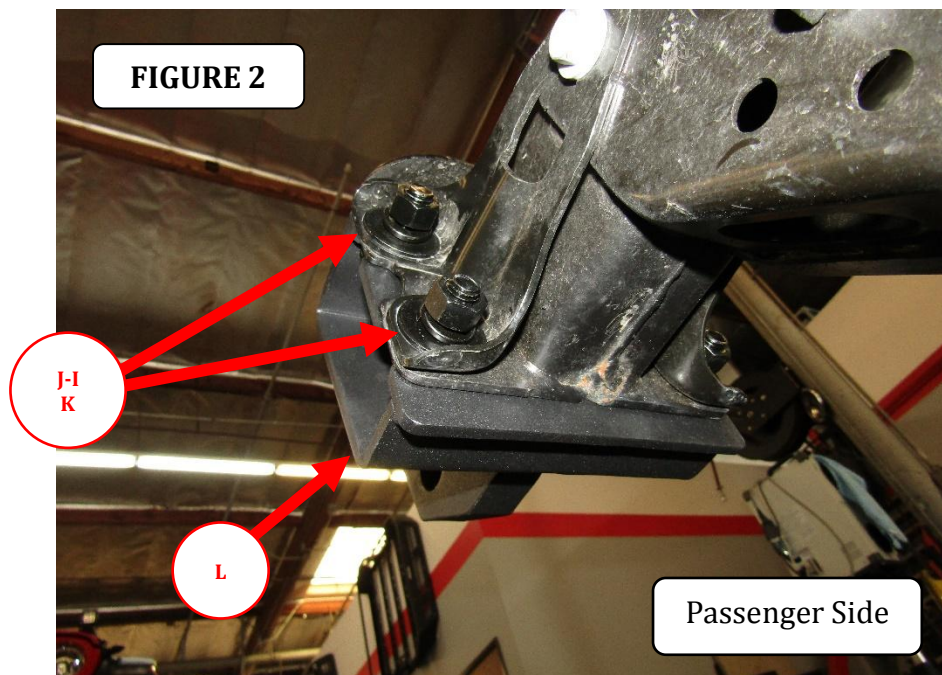
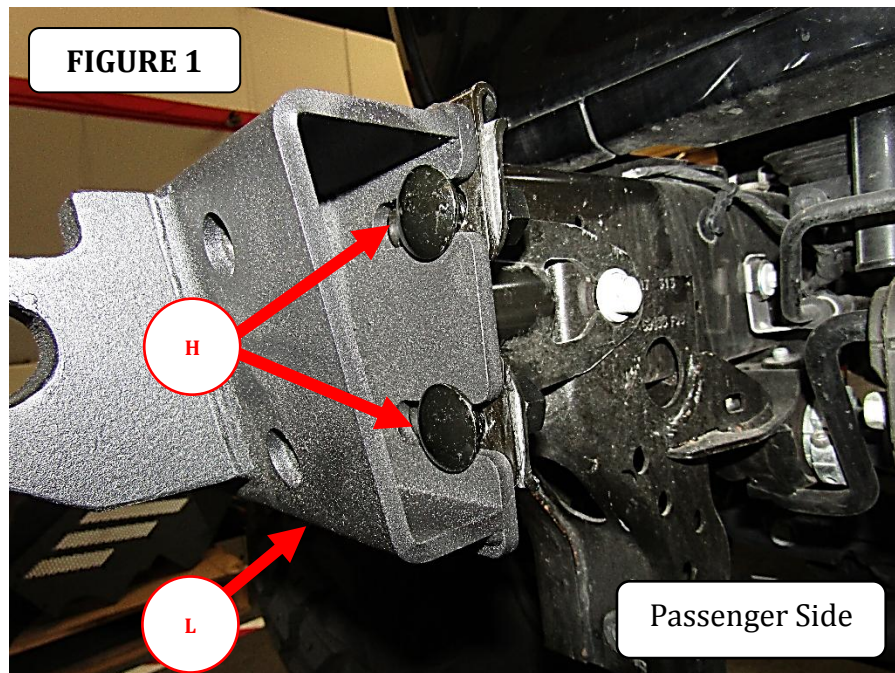


# GORRHINO®

## INSTALLATION INSTRUCTIONS

### Trailline Bumper Installation JL & JK

**Step-1** Position the passenger side frame bracket up to the end of the frame, align the holes in the frame bracket with the holes in the frame and secure the frame bracket to the frame using (4) ½" X 1 ½" carriage bolts, (4) ½" flat washers, (4) ½" lock washers and (4) ½" hex nuts. bolts, (FIGURE 1 & 2). Leave the nuts and bolts loose for final adjustment. **Note:** JK models, reinstall the (2) OEM bumper backing plates prior to installing the ½" washers and nuts. Repeat to install the driver side frame bracket.



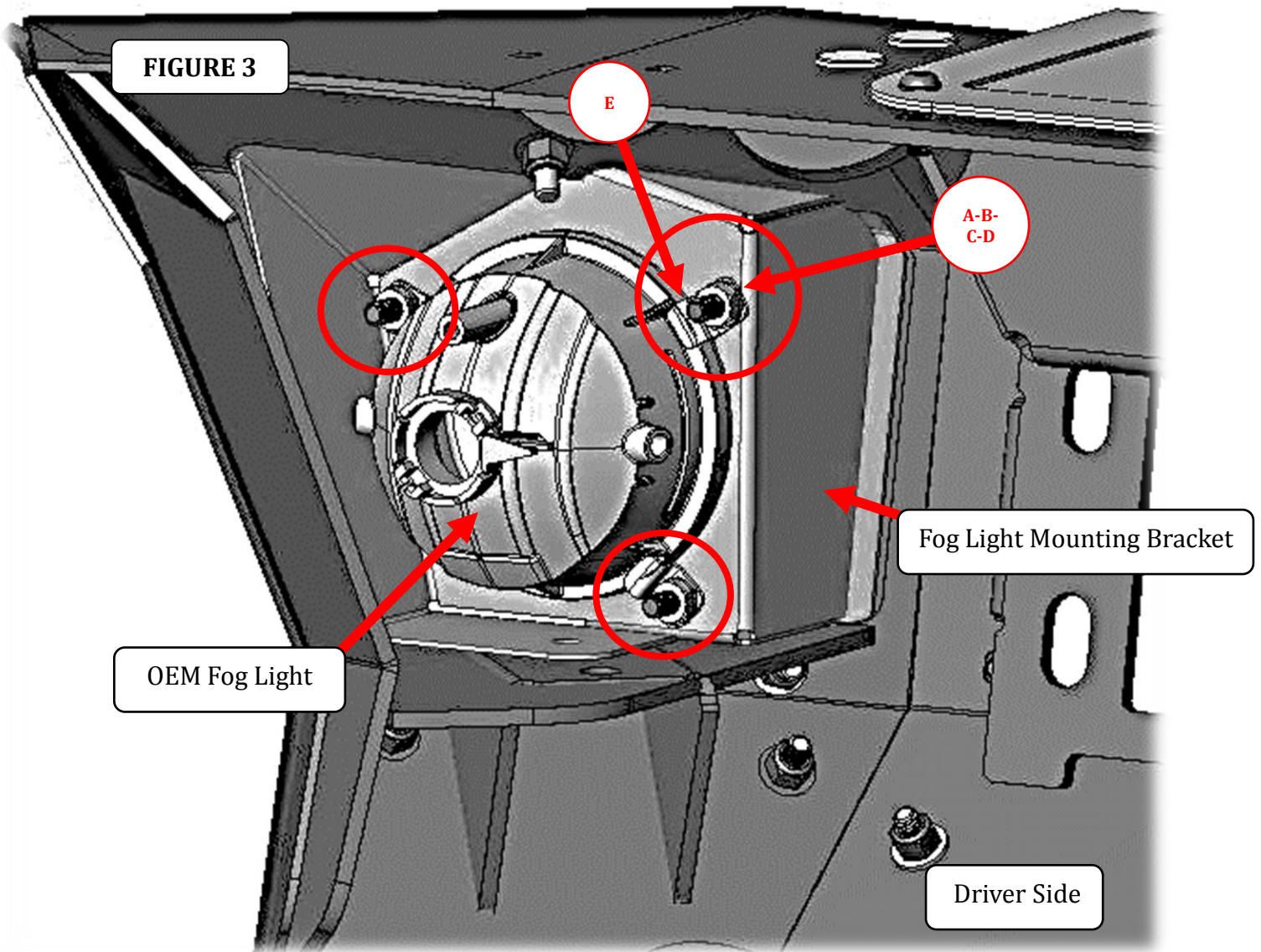
# GO RHINO®

## INSTALLATION INSTRUCTIONS

**Step-2** If equipped, remove the fog lights from the OEM bumper.

**Step-3** From the back of the Trailline front winch bumper, position one of the factory fog lights so the top of the lens aligns with notch and the lens protrudes out through the opening in the fog light mounting bracket, (FIGURE 3).

**Step-4** Assemble and attach the fog light housing to the fog light mounting bracket using (3) of the offset mount clips (3) ¼" x 3/4" button head screws, (3) ¼" plastic flat washers, (3) ¼" Lock washers and (3) ¼" hex nuts, (FIGURE 3). Repeat step 3 and 4 to install the remaining fog light on the passenger side of the Trailline front winch bumper.

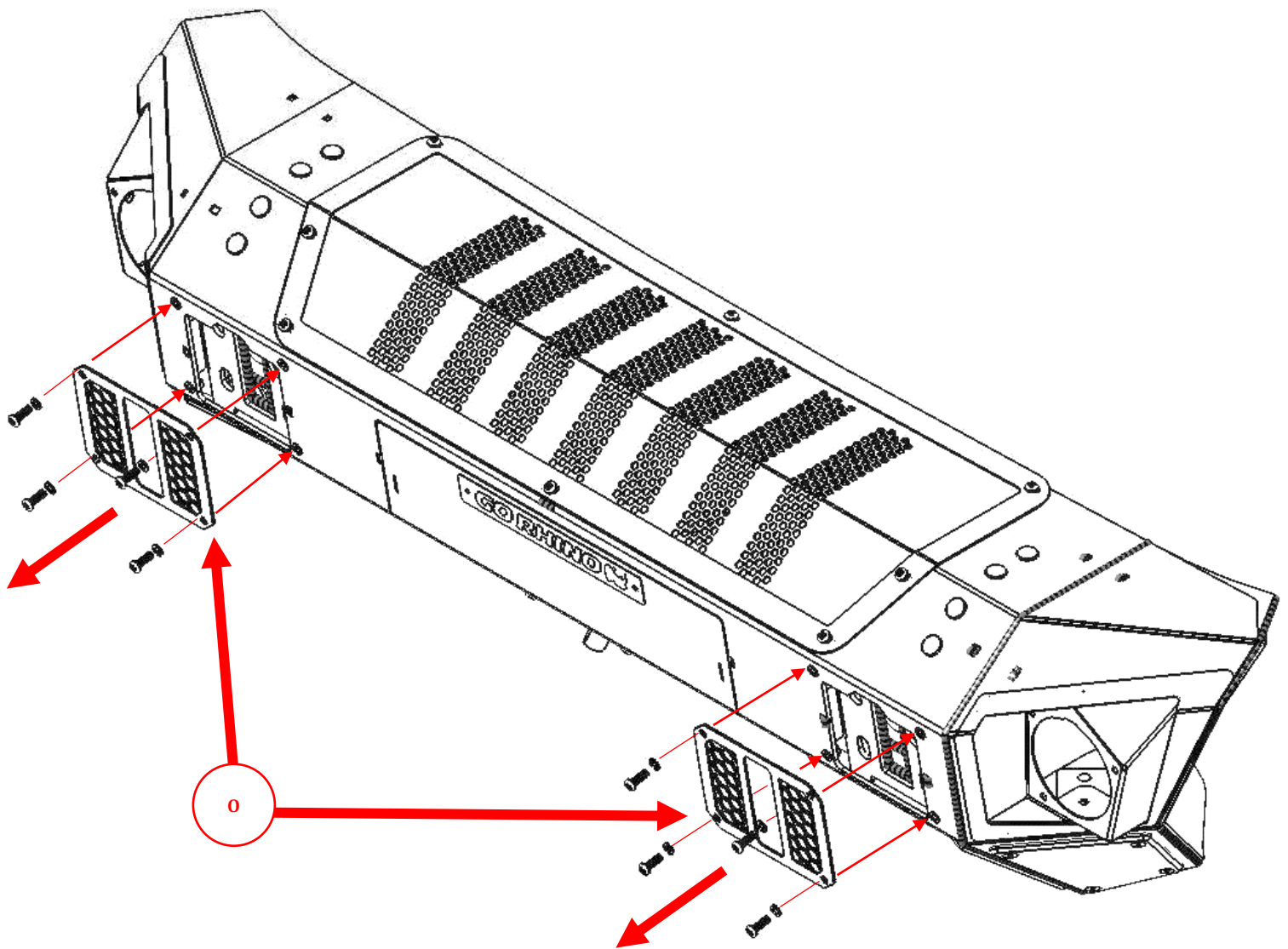


# GORRHINO<sup>®</sup>

## INSTALLATION INSTRUCTIONS

**Step-5** The pre-installed mesh front covers need to be removed using hand tools to slowly remove the screws, (FIGURE 4). Using an air assisted impact or ratchet will damage the screw threads and the internal nut assembly in the bumper shell. Use of an appropriate anti-seize compound is highly recommended for re-installation.

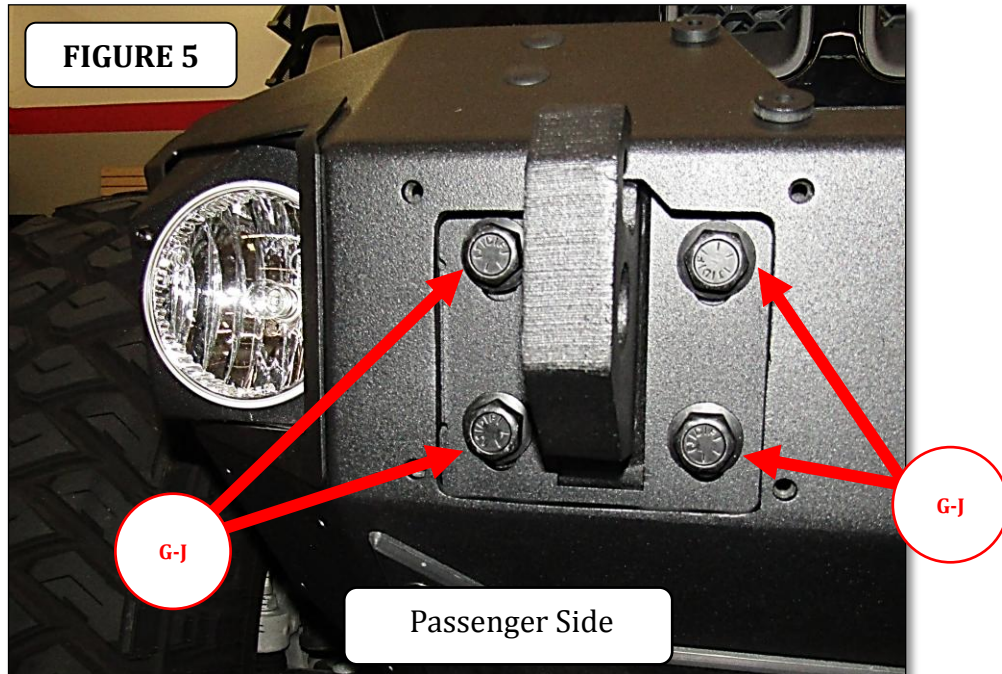
FIGURE 4



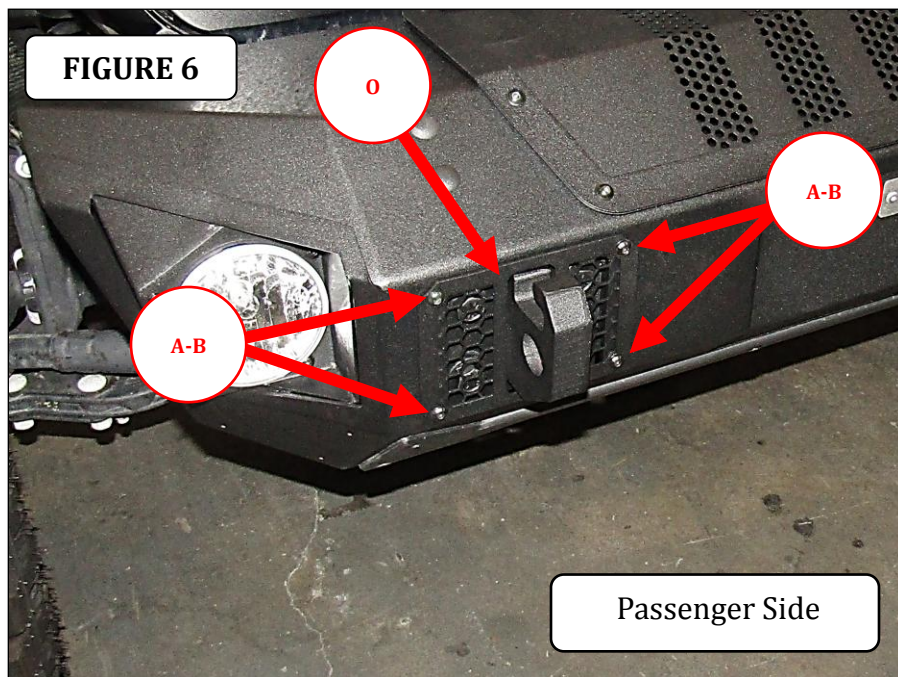
# GO RHINO®

## INSTALLATION INSTRUCTIONS

**Step-6** With assistance lift the Trailline front winch bumper up to the vehicle, align the holes in the face of the bumper with the weld nuts on the frame brackets and secure the bumper to each frame bracket using (4) ½" x 1 1/2" flange head bolts and (4) ½" flat washers, (FIGURE 5). adjust and hold the bumper visual alignment position, then tighten the bolts securing the bumper to the frame brackets then tighten the nuts and bolts securing the frame brackets to the vehicle frame.



**Step-7** Reinstall the mesh front covers to the Trailline front winch bumper using the ¼" x ¾" button head hex drive screws and plastic flat washers removed in step-7, (FIGURE 6).



# GO RHINO®

## INSTALLATION INSTRUCTIONS

**Step-8** Reconnect the OEM fog lights to the vehicle wiring harness, and reconnect the battery or batteries. Remember to check and retighten all nuts and bolts periodically.



### WARNING

Do not operate vehicle with tool drawer in unlocked position. Tool drawer must be securely closed and locked.  
Failure to follow instructions may cause severe damage or loss of drawer.