

INSTALLATIONS INSTRUCTIONS
52179 DAKAR DAKAR SPORT
CHEVROLET 1500HD - 2500HD - LD - 3500 P. U. 03 - 06

Parts list:

ITEM	QTY.	DESCRIPTION	TORQUE MAX.
	1	BRK-5504 Brackets kit includes:	-
1	1	Rhino Charger	-
2	1	Bracket set (Driver & Passenger)	-
3	2	1/2" nut bar.	70 Lb.Ft
	1	KTE-58004 Hardware kit includes:	
4	6	1/2 x 2" Hex head bolt	70 Lb.Ft
5	6	1/2" Flat washer	-
6	6	1/2" Lock washer	-
7	2	1/2" Hex nut.	70 Lb.Ft

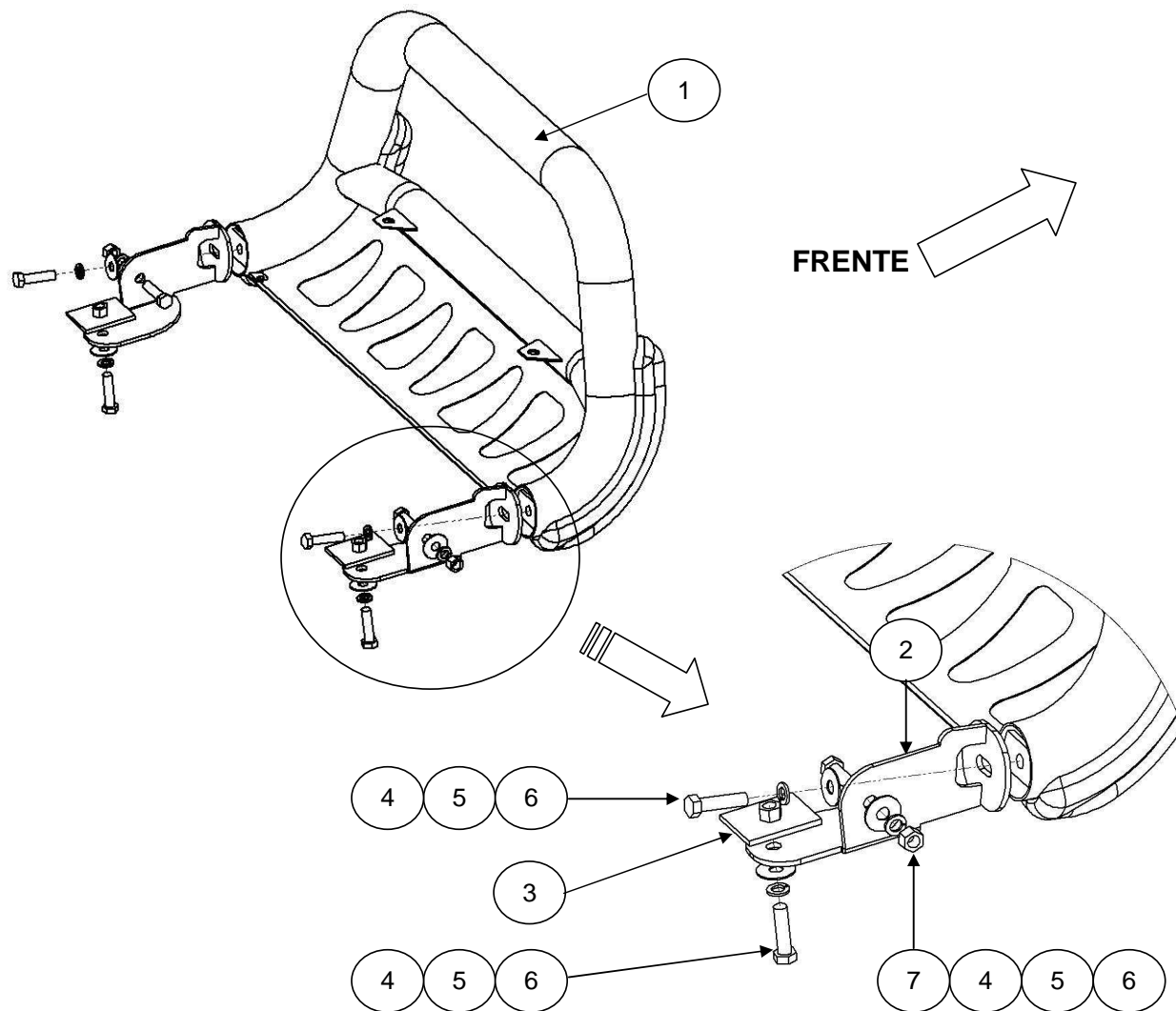
Required Tools (no included)	
DESCRIPTION	QTY.
3/4" Socket / Wrench	1
18mm Socket / Wrench	1
Extensión	1
Ratchet	1

Instructions:

Approximate installation time: 40 min.

1. Before beginning the installation, please read all directions carefully and verify that all necessary hardware is accounted for. If any parts are missing, stop the installation and contact your distributor immediately.

ILUSTRACION 1.



Cleaning and care instructions:

Design :

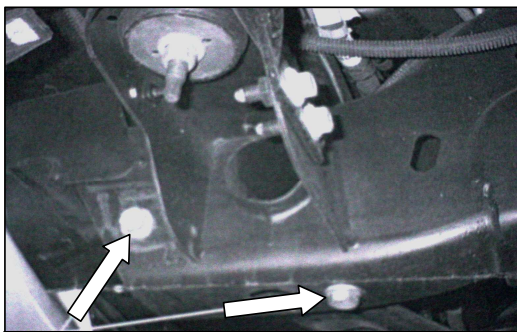
Quality:

Keep your product clean. Do not use abrasive cleaners or polish. We recommend only non-abrasive automotive wax such as pure carnauba to avoid scratches or rust.

INSTALLATIONS INSTRUCTIONS
52179 DAKAR DAKAR SPORT
CHEVROLET 1500HD - 2500HD - LD - 3500 P. U. 03 - 06

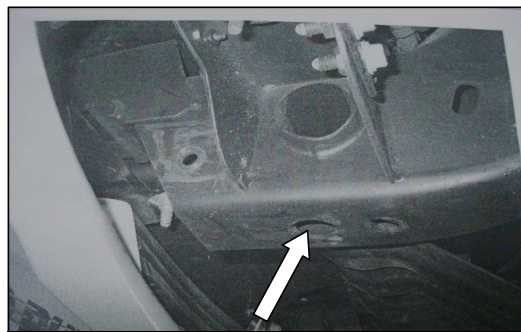
2. If equipped, remove the tow hook, from the bottom of the driver side frame rail. Discard the bolts and tow hook. **See picture 1.**
3. Position one of the 1/2" nut bar inside the frame rail. **See picture 2 and 3.** Center the 1/2" nut bar, over the larger hole in the bottom of the frame rail.
4. Place the bracket to the bottom and side of the frame, and attach in lower part with:(1) 1/2 x 2" hex head bolt, (1) 1/2" flat and lock washers. In the side part attach with: (1) 1/2 x 2" hex head bolt, (1) 1/2" flat and lock washers, (1) 1/2" hex nut. Leave loose. **See illustration 1 and 2.**
5. Repeat the previous steps to install the opposite side.
6. Place the Dakar Dakar Sport in the brackets and attach with: (1) 1/2 x 2" hex head bolt, (1) 1/2" flat and lock. By each bracket. Leave loose. **See illustration 1 and 3.**
7. Align the Dakar Dakar Sport to the vehicle and tighten all hardware.
8. Does not use abrasive substances to clean the accessory.
9. Tightens the bolts kit periodically.
10. Fill out the warranty card included and place it inside your vehicle.

PICTURE 1.



Remove this tow hook bolts.

PICTURE 2.



Insert here 1/2" nut bar.

PICTURE 3.

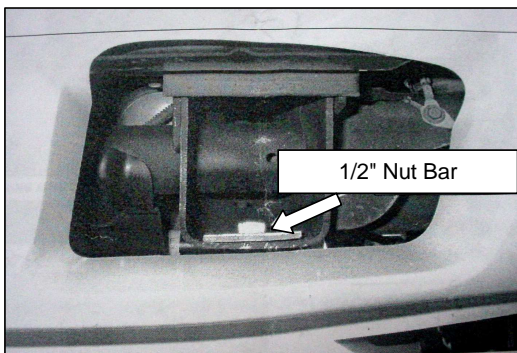
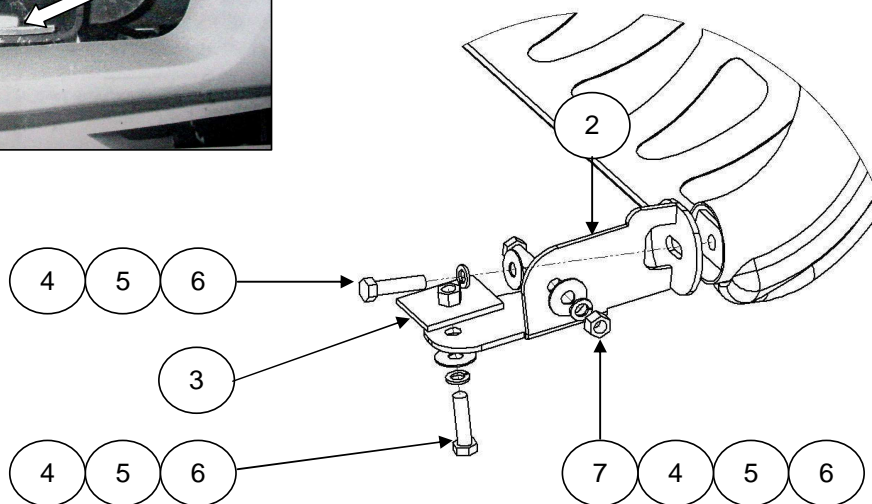


ILLUSTRATION 2.



NOTE: Illustration passenger side.

Cleaning and care instructions:

Design :

Quality:

Keep your product clean. Do not use abrasive cleaners or polish. We recommend only non-abrasive automotive wax such as pure carnauba to avoid scratches or rust.