

**GO RHINO! PRODUCTS 3000 SERIES INSTALLATION INSTRUCTIONS**  
**99-04 FORD F-250, F-350 SUPER DUTY P/U & EXCURSION 2/4WD PART# 3364B & 3364C**

---

<u>QTY</u>	<u>PARTS DESCRIPTION</u>
1	P200 PLUG KIT
2	1/4" SOCKET SCREWS
6	3/8" X 1" BUTTON HEAD BOLTS
4	3/8" X 1" HEX HEAD BOLTS
4	3/8" X 1 1/4" HEX HEAD BOLTS
4	3/8" FLAT WASHERS
10	3/8" LOCK WASHERS
10	3/8" HEX NUTS
1	1131AD DRIVER SIDE UPPER BRACKET
1	1131AP PASSENGER SIDE UPPER BRACKET
1	1131BD DRIVER SIDE LOWER BRACKET
1	1131BP PASSENGER SIDE LOWER BRACKET

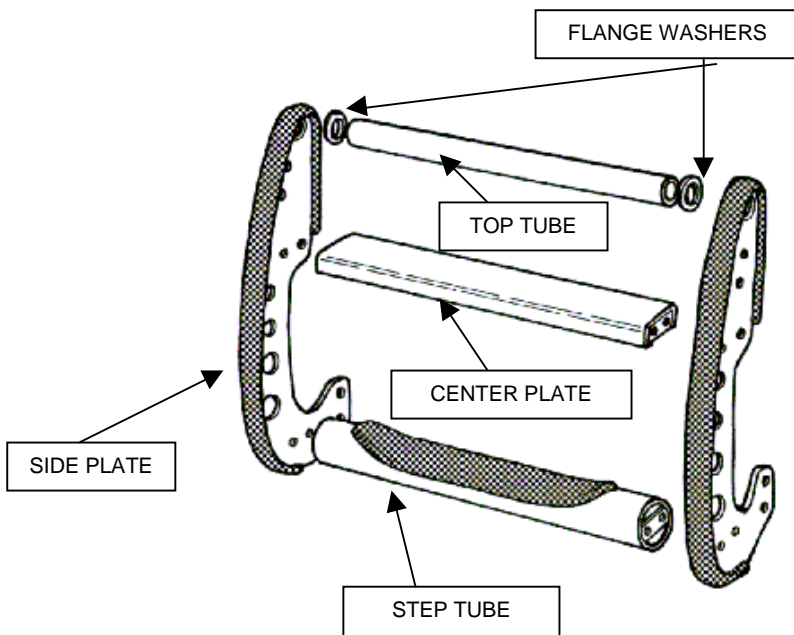
**ASSEMBLY INSTRUCTIONS**

**STEP 1.** BEGIN THE ASSEMBLY BY LOOSELY ATTACHING THE BOTTOM STEP TUBE TO THE GRILLE GUARD SIDE PLATES USING THE 3/8" X 1" BUTTON HEAD BOLTS.

**STEP 2.** INSTALL THE TUBE CONNECTORS FROM THE P200 PLUG KIT INTO THE TOP TUBE.

**STEP 3.** POSITION THE CENTER PLATE BETWEEN THE SIDE PLATES, AND ATTACH THE CENTER PLATE TO THE SIDE PLATES AND BRUSH GUARDS USING THE 3/8" X 1" HEX BOLTS, LOCK WASHERS, AND HEX NUTS. NOTE: THREADS MUST FACE OUTWARDS ON BOLTS.

**STEP 4.** ALIGN THE GRILLE AND TIGHTEN ALL NUTS AND BOLTS.



## **INSTALLATION INSTRUCTIONS**

STEP 1. BEGIN THE INSTALLATION BY OPENING THE HOOD AND REMOVING THE (4) PHILLIPS HEAD SCREWS FROM THE TOP OF THE GRILLE. UNHOOK THE (2) RETAINING CLIPS AT THE BOTTOM AND REMOVE THE GRILLE FROM THE VEHICLE.

STEP 2. LOCATE THE 10MM BOLTS THAT CONNECT THE BUMPER TO THE BUMPER SUPPORT BRACKETS. THE BOLTS ARE LOCATED ON THE BACK EDGE AT THE TOP OF THE BUMPER. REACH THROUGH THE OPENING IN THE FACE OF THE BUMPER AND REMOVE THE BOLTS (1) PER SIDE CLOSEST TO THE CENTER OF THE VEHICLE.

STEP 3. LOOSELY ATTACH 1131AD AND 1131AP UPPER BRACKETS TO THE BUMPER SUPPORT BRACKETS USING THE FACTORY 10MM BOLTS.

STEP 4. RE-ATTACH THE GRILLE TO THE FRONT OF THE VEHICLE.

STEP 5. REMOVE THE 12MM BUMPER BOLTS (2) PER SIDE FROM THE FACE OF THE BUMPER.

STEP 6. POSITION 1131BD AND 1131BP LOWER BRACKETS OVER THE TOW HOOKS AND ATTACH TO THE FACE OF THE BUMPER USING THE FACTORY 12MM BUMPER BOLTS.

STEP 7. ATTACH THE GRILLE AND BRUSH GUARD ASSEMBLY TO THE OUTSIDE OF THE MOUNTING BRACKETS USING THE 3/8" X 1" BUTTON HEAD BOLTS FOR THE UPPER BRACKETS AND THE 3/8" X 1 1/4" HEX HEAD BOLTS FOR THE LOWER BRACKETS. ALIGN WITH FRONT OF VEHICLE AND TIGHTEN ALL NUTS AND BOLTS.

