



REV B 08/09

3000 SERIES STEPGUARD

GRILLE GUARD ASSEMBLY INSTRUCTIONS

PART NO. 3363MB & 3363MC 99-02 FORD EXPEDITION 2/4WD / 99 - 03 F150 2/4WD

Do not attempt to install this product on any vehicle other than the one it is designed for and listed above!

PART LIST

<u>QTY</u>	<u>PART DESCRIPTION</u>	<u>QTY</u>	<u>PART DESCRIPTION</u>
4	3/8 x 1" BUTTON BOLT	2	5/16 x 1" HEX BOLT
4	3/8 x 1" HEX BOLT	2	5/16" LOCK WASHER
4	3/8" LOCK WASHER	2	5/16" HEX NUT
4	3/8" HEX NUT	1	1121TD DRIVER SIDE TOP BRACKET
2	1/2 x 5" HEX BOLT	1	1121TP PASSENGER SIDE TOP BRKT
4	1/2 x 1 1/2" HEX BOLT	1	1121D DRIVER SIDE FRAME BRACKET
4	1/2" FLAT WASHER	1	1121P PASSENGER SIDE FRAME BRKT
8	1/2" LOCK WASHER	1	P200 PLUG KIT
8	1/2" HEX NUT	2	1312BP BOLT PLATES
		2	1/2" HOLE 1/4 THICK X 2" O.D. WASHER

ASSEMBLY INSTRUCTIONS

READ THE ASSEMBLY AND INSTALLATION INSTRUCTIONS COMPLETELY BEFORE YOU BEGIN.

STEP 1. BEGIN THE GRILLE ASSEMBLY BY LAYING THE COMPONENTS OUT ON A PROTECTIVE SURFACE.

STEP 2. INSTALL THE TUBE CONNECTORS FROM THE P200 PLUG KIT INTO THE TOP TUBE.

STEP 3. LOOSELY ATTACHING THE BOTTOM PLATE TO THE GRILLE GUARD SIDE PLATES USING THE 3/8" X 1" BUTTON BOLTS.

STEP 4. POSITION THE CENTER PLATE BETWEEN THE SIDE PLATES, AND ATTACH THE CENTER PLATE USING THE 3/8" X 1" HEX HEAD BOLTS, LOCK WASHERS, AND NUTS.

STEP 5. ALIGN THE GRILLE ASSEMBLY AND TIGHTEN ALL NUTS AND BOLTS. NOTE: SECURE THE TOP TUBE USING THE P200 PLUG KIT HARDWARE.

INSTALLATION INSTRUCTIONS

NOTE: 2 WD MODELS REQUIRE NOTCHING LOWER BUMPER FASCIA

STEP 1. IF EQUIPPED, REMOVE TOW HOOKS FROM BOTTOM OF FRAME RAILS.

STEP 2. POSITION 1312BP BOLT PLATE INSIDE OF PASSENGER SIDE FRAME RAIL AS SHOWN IN DIAGRAM (A).

STEP 3. PLACE 1121P PASSENGER SIDE FRAME BRACKET OVER BOLT PLATE AND SECURE USING 1/2" FLAT AND LOCK WASHER AND HEX NUT AS SHOWN. DO NOT TIGHTEN.

STEP 4. ATTACH REAR OF 1121P FRAME BRACKET TO SIDE OF FRAME RAIL USING 1/2 x 5" HEX BOLT, 1/4" THICK x 2" O.D. WASHER, FLAT AND LOCK WASHER AND HEX NUT AS SHOWN. DO NOT TIGHTEN.

STEP 5. REPEAT ABOVE STEPS FOR DRIVER SIDE FRAME BRACKET.

STEP 6. REMOVE THE FACTORY 10MM BUMPER BOLT FROM LOCATION SHOWN IN DIAGRAM (B).

STEP 7. POSITION 1121TP PASSENGER SIDE TOP BRACKET BETWEEN BUMPER AND GRILLE. ATTACH 1121TP BRACKET TO BUMPER BRACKET USING FACTORY 10MM BOLT, AS SHOWN IN DIAGRAM. DO NOT TIGHTEN.

STEP 8. REPEAT THE ABOVE STEPS FOR 1121TD DRIVER SIDE TOP BRACKET.

STEP 9. ATTACH THE GRILLE AND BRUSH GUARD ASSEMBLY TO THE OUTSIDE OF THE TOP AND LOWER FRAME BRACKETS USING NUTS AND BOLTS SUPPLIED AS SHOWN IN DIAGRAMS (A) AND (B). DO NOT TIGHTEN.

STEP 10. ALIGN GRILLE ASSEMBLY WITH FRONT OF VEHICLE AND TIGHTEN ALL NUTS AND BOLTS.

STEP 11. REATTACH TOW HOOKS TO BOTTOM OF FRAME RAILS.

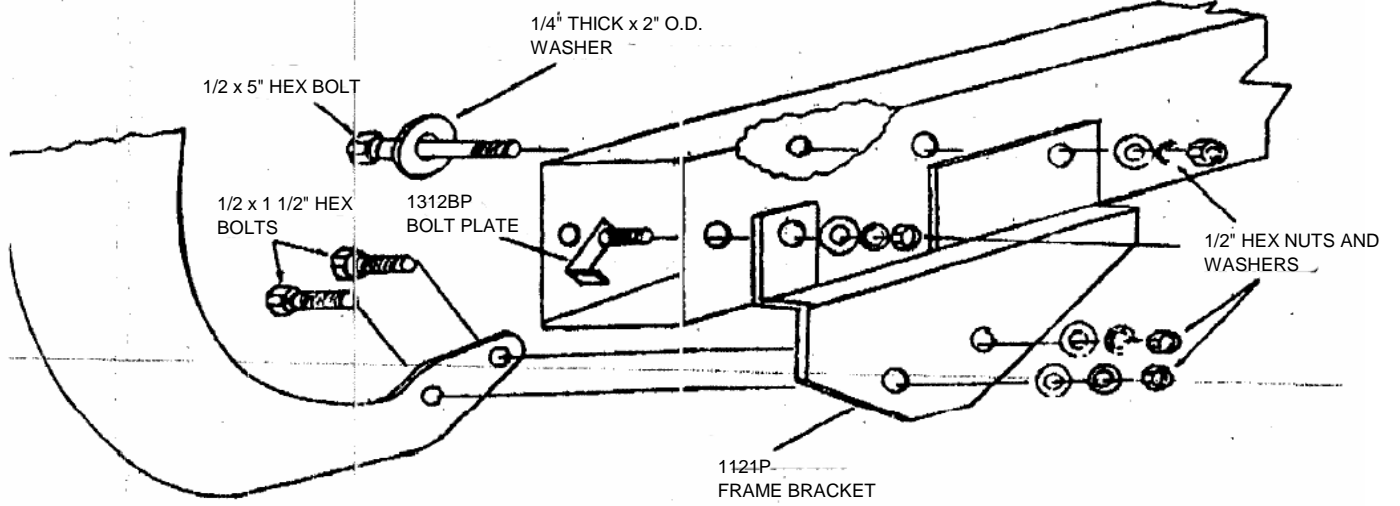


DIAGRAM (A) ASSEMBLY AND INSTALLATION VIEW OF PASSENGER SIDE

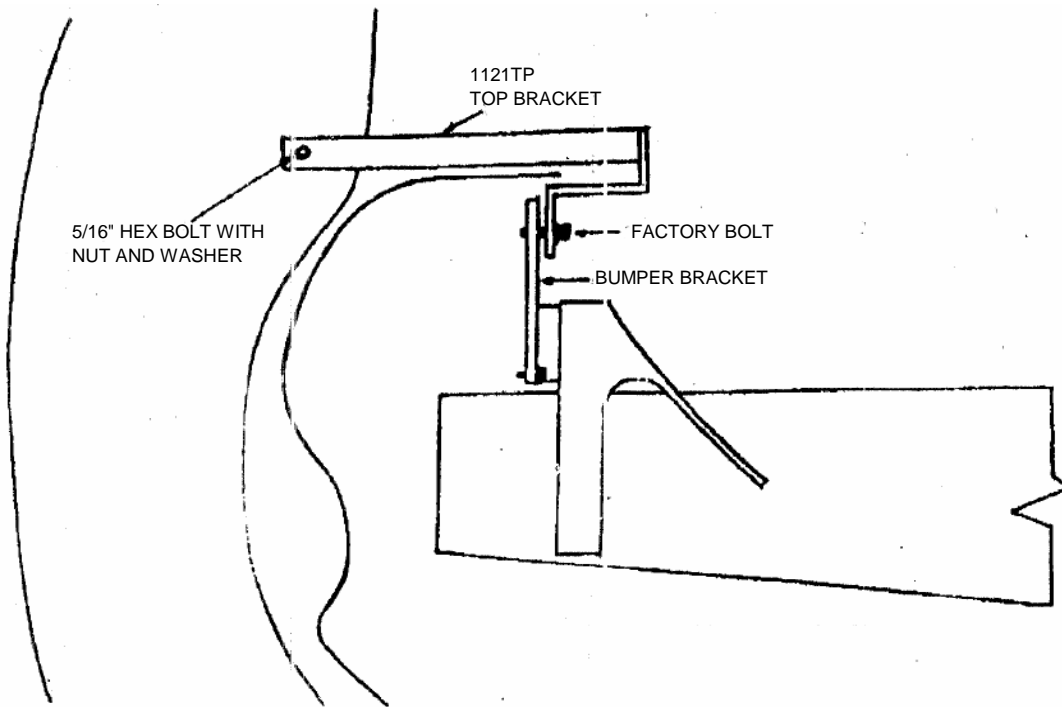


DIAGRAM (B) ASSEMBLY AND INSTALLATION VIEW OF PASSENGER SIDE TOP BRACKET