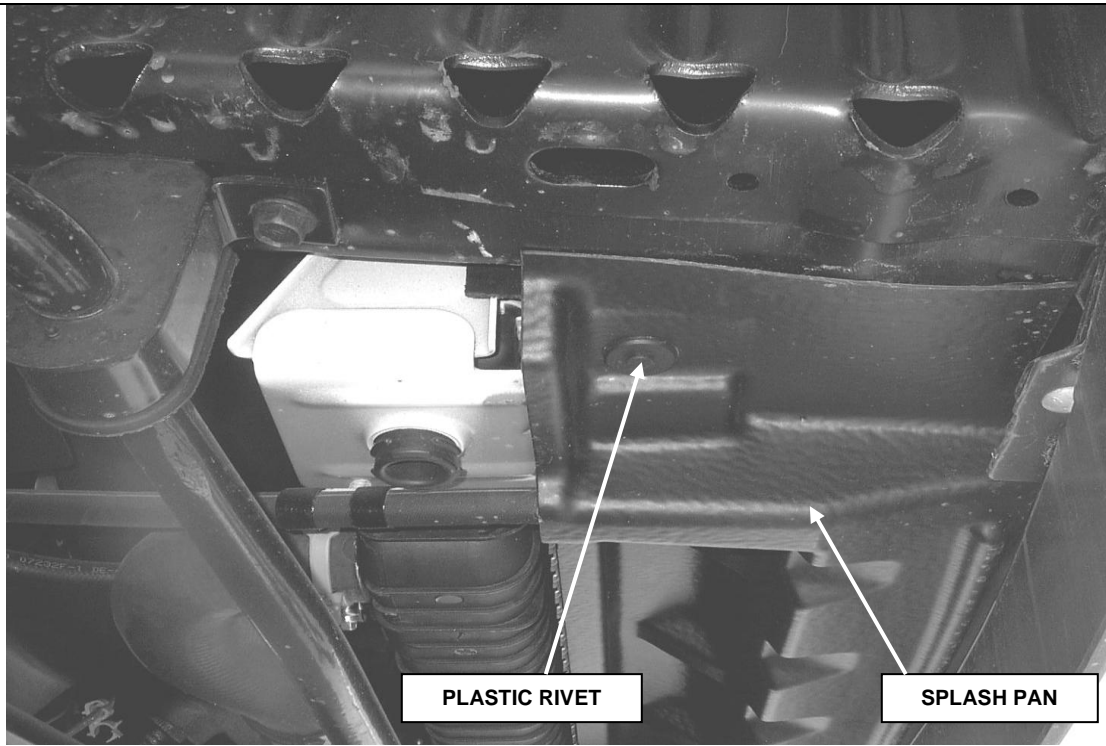


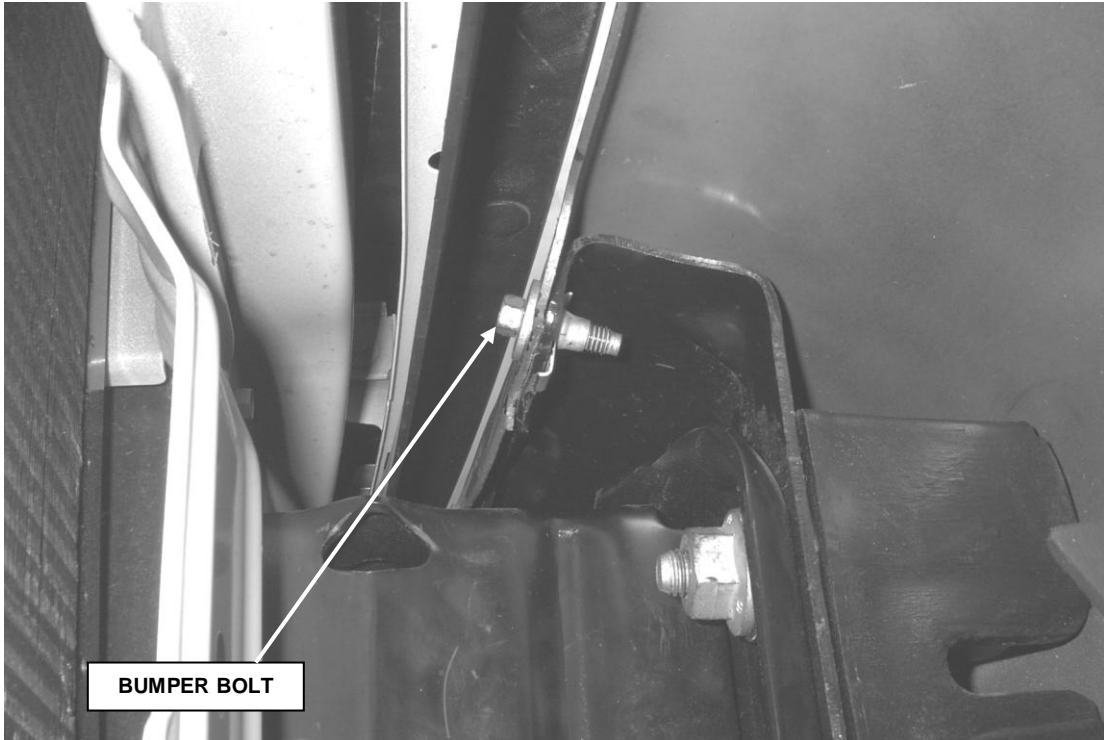


Installation Instructions
99-07 Ford E-350 Van Grille & Brush Guard Part #3320M

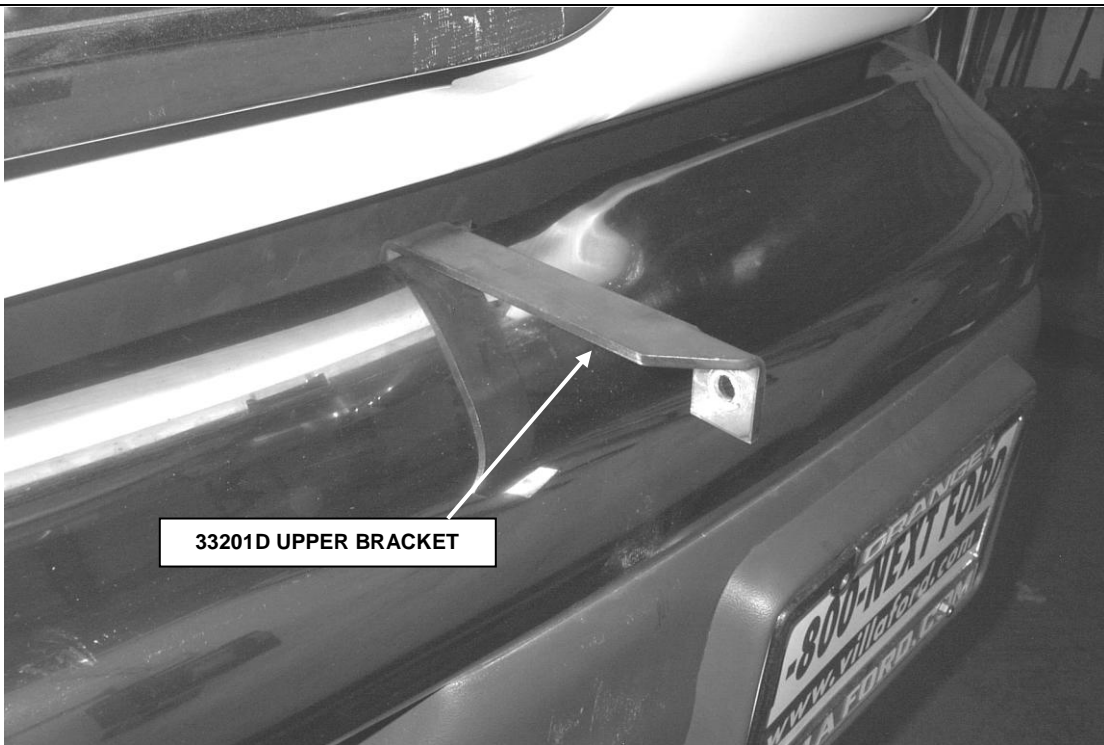
QTY	PARTS DESCRIPTION	QTY	PARTS DESCRIPTION
6	3/8" X 1" HEX BOLTS	8	1/2" FLAT WASHERS
4	3/8" X 1 1/4" HEX BOLTS	8	1/2" HEX NUTS
10	3/8" LOCK WASHERS	2	NYLON FLANGE WASHERS
10	3/8" HEX NUTS	1	33201P PASSENGER SIDE UPPER BRACKET
4	1/2" X 1 1/2" HEX BOLTS	1	33201D DRIVER SIDE UPPER BRACKET
4	1/2" X 5" HEX BOLTS	1	33202P PASSENGER SIDE LOWER BRACKET
8	1/2" LOCK WASHERS	1	33202D DRIVER SIDE LOWER BRACKET
2	1/4" SOCKET SCREWS	4	1/2" HOLE 1/4" THICK X 1 1/4" OD WASHERS



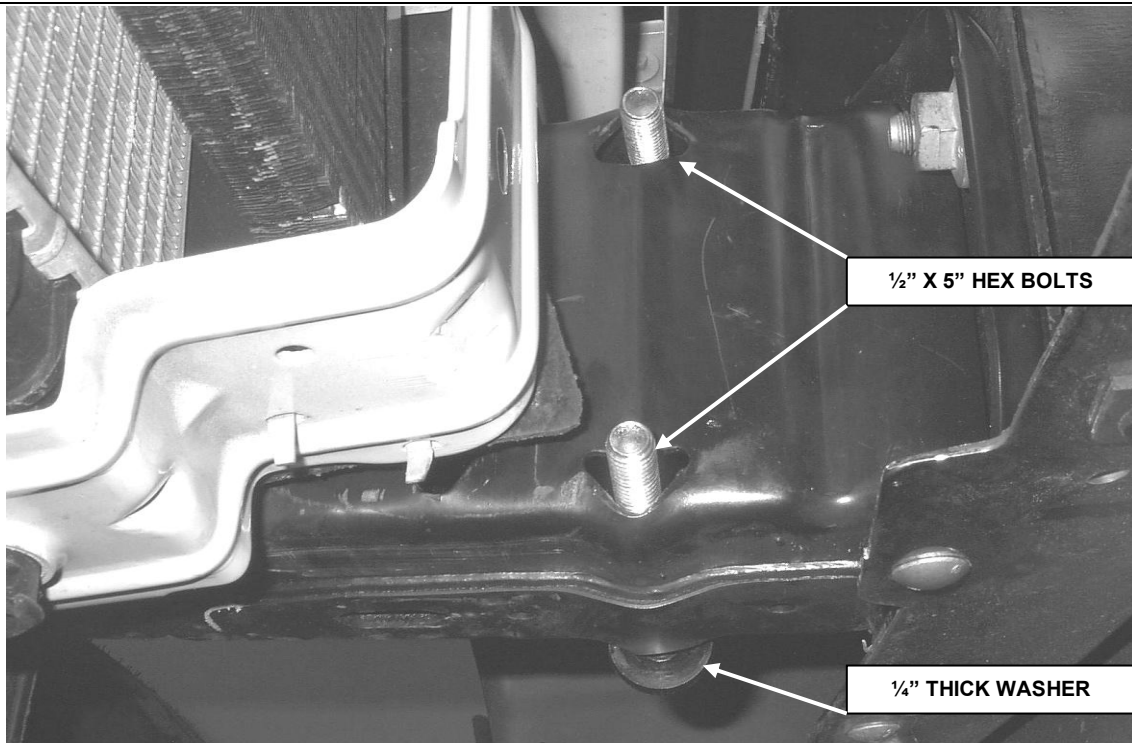
STEP 1. REMOVE THE RIVETS, AND PLASTIC SPLASH PAN FROM THE BOTTOM OF THE VEHICLE.



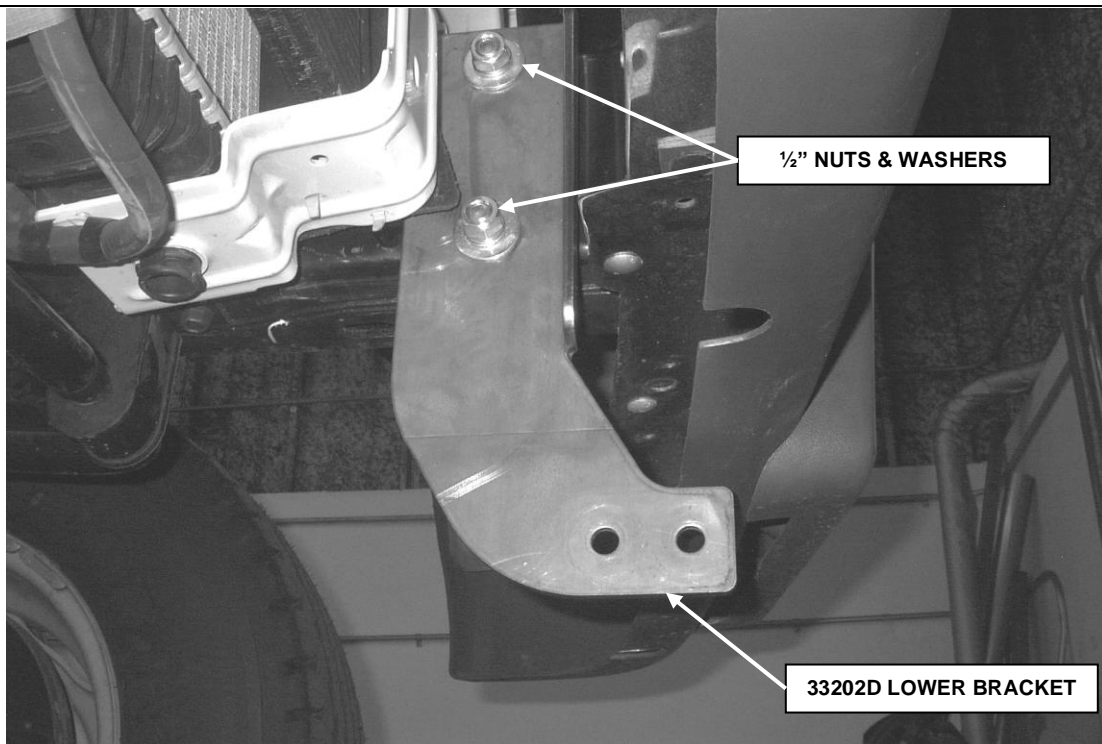
STEP 2. BEGINNING WITH THE **DRIVER SIDE**, REMOVE THE UPPER BUMPER BOLT. THE BOLT IS LOCATED ON THE BACK EDGE AT THE TOP OF THE BUMPER. THIS LOCATION WILL SERVE AS THE UPPER BRACKET MOUNTING POINT.



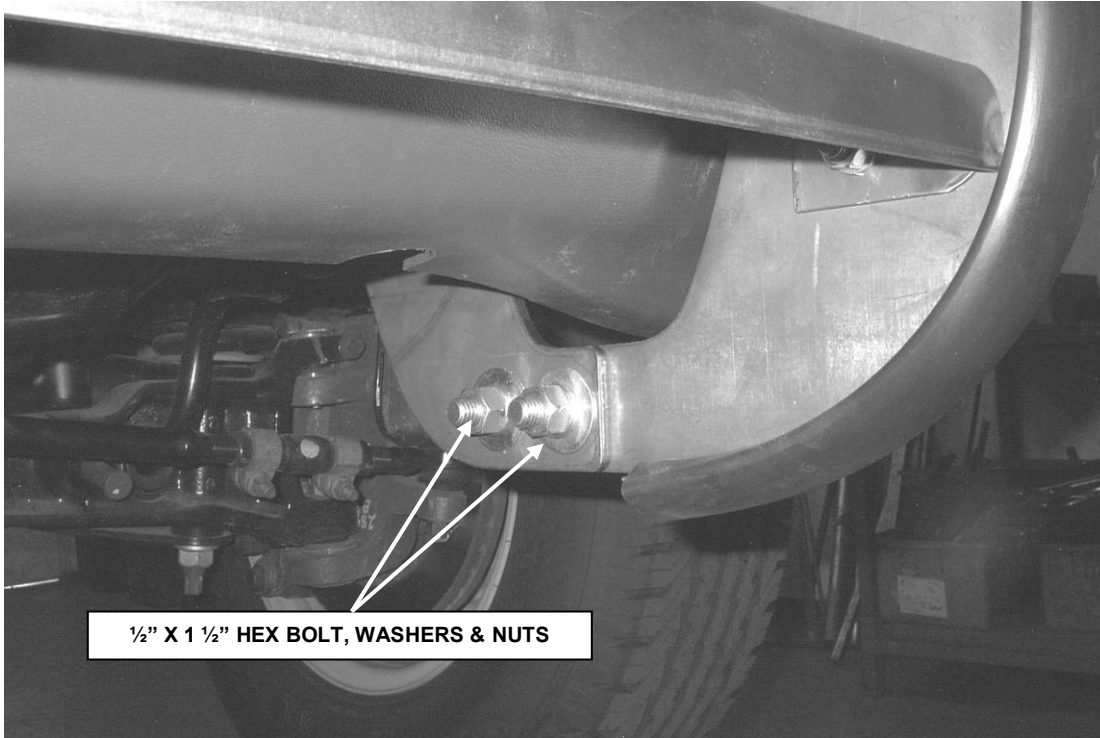
STEP 3. POSITION 33201D UPPER BRACKET BETWEEN THE GRILLE LOWER PANEL AND BUMPER. LOOSELY ATTACH THE BRACKET TO THE BUMPER USING THE FACTORY BUMPER BOLT. REPEAT THE ABOVE STEPS FOR THE PASSENGER SIDE BRACKET.



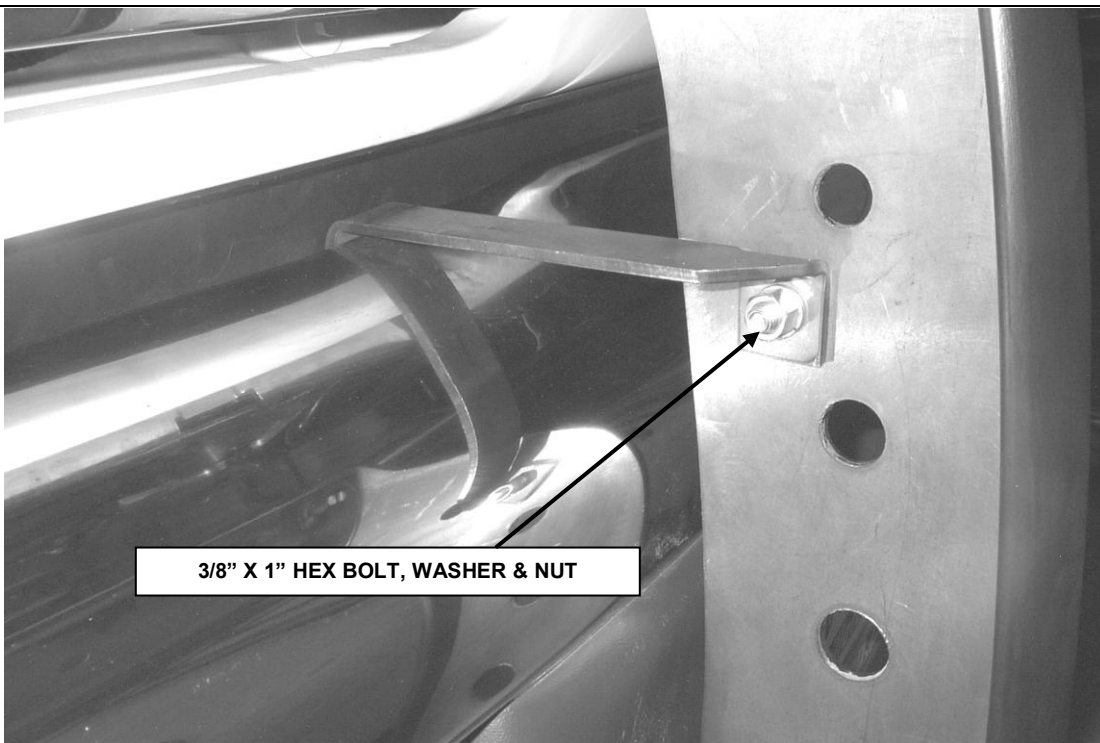
STEP 4. LOCATE THE TRIANGULAR SHAPED HOLES IN THE FRAME RAIL. USING THE 1/2" X 5" HEX BOLTS AND 1/4" THICK WASHERS SLIDE THE BOLTS THROUGH THE FRAME SO THE THREADS ARE FACING TO THE CENTER OF THE VEHICLE.



STEP 5. POSITION 33202D LOWER BRACKET OVER THE 1/2" BOLTS, AND LOOSELY ATTACH THE BRACKET TO THE SIDE OF THE FRAME USING THE 1/2" NUTS AND WASHERS. REPEAT THE ABOVE STEPS FOR THE PASSENGER SIDE BRACKET.



STEP 6. ATTACH THE GRILLE GUARD ASSEMBLY TO THE LOWER BRACKETS, USING THE $\frac{1}{2}$ " x $1\frac{1}{2}$ " HEX BOLTS, WASHERS AND HEX NUTS.



STEP 7. ATTACH THE GRILLE GUARD ASSEMBLY TO THE UPPER BRACKETS USING THE $\frac{3}{8}$ X 1" HEX BOLTS, WASHERS AND NUTS.

STEP 8. ALIGN THE GRILLE GUARD ASSEMBLY WITH THE FRONT OF THE VEHICLE AND TIGHTEN ALL MOUNTING NUTS AND BOLTS.

STEP 9. NOTCH THE SPLASH PAN TO CLEAR THE LOWER BRACKETS, AND REATTACH TO THE VEHICLE USING THE FACTORY RIVETS.

3000 SERIES ASSEMBLY INSTRUCTIONS

STEP 1. BEGIN THE ASSEMBLY BY LOOSELY ATTACHING THE BOTTOM PLATE TO THE GRILLE GUARD SIDE PLATES USING THE 3/8" X 1" HEX BOLTS, WASHERS AND NUTS.

STEP 2. INSERT THE FLANGE WASHERS IN THE SIDE PLATES. POSITION THE TOP TUBE BETWEEN THE GRILLE GUARD SIDE PLATES, AND SLIDE THE BRUSH GUARDS THROUGH THE SIDE PLATES, FLANGED WASHERS AND INTO THE TOP TUBE.

STEP 3. POSITION THE CENTER PLATE BETWEEN THE SIDE PLATES, AND ATTACH THE CENTER PLATE TO THE SIDE PLATES AND BRUSH GUARDS USING THE 3/8" X 1 1/4" HEX BOLTS, LOCK WASHERS, AND HEX NUTS.

STEP 4. IF APPLICABLE, ATTACH THE EUROTUBE TO THE BRUSH GUARDS USING THE 5/16" X 1 3/4" FLAT HEAD SCREWS.

STEP 5. ALIGN THE GRILLE AND BRUSH GUARD ASSEMBLY AND TIGHTEN ALL NUTS AND BOLTS. NOTE: SECURE THE TOP TUBE USING THE 1/4" SOCKET SCREWS.

STEP 6. ATTACH THE HEAD LIGHT PROTECTORS TO THE BRUSH GUARDS USING THE 1/4" X 3/4" BUTTON HEAD BOLTS AND TO THE SIDE PLATES USING THE 5/16" X 1" BUTTON HEAD BOLTS AND LOCK NUTS.

