



3000 SERIES STEPGUARD

GRILLE GUARD ASSEMBLY INSTRUCTIONS

PART NO. 3315B & 3315C 92 -96 FORD BRONCO F-150 / 92 - 97 F-250 / 92 - 98 F-350
2/4 WD P/U

Do not attempt to install this product on any vehicle other than the one it is designed for and listed above!

PART LIST

<u>QTY</u>	<u>PART DESCRIPTION</u>	<u>QTY</u>	<u>PART DESCRIPTION</u>
8	1/2 x 1 1/2" HEX BOLT	1	075D DRIVER FRAME BRACKET
8	1/2" LOCK NUT	1	075P PASSENGER FRAME BRKT
4	3/8 x 1 1/4" HEX BOLT	4	1126MT MOUNTING TABS
4	3/8 x 1" BUTTON ALLEN BOLT		
4	3/8" LOCK WASHER		
4	3/8" HEX NUT		
1	P200 PLUG KIT		

ASSEMBLY INSTRUCTIONS

READ THE ASSEMBLY AND INSTALLATION INSTRUCTIONS COMPLETELY BEFORE YOU BEGIN.

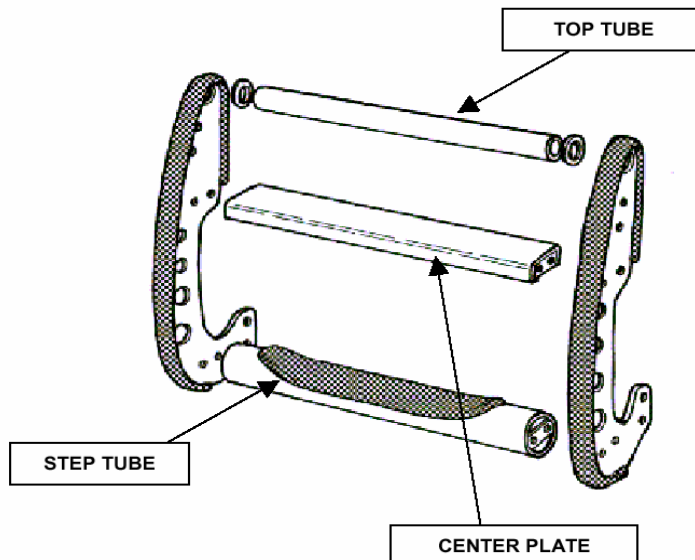
STEP 1. BEGIN THE GRILLE ASSEMBLY BY LAYING THE COMPONENTS OUT ON A PROTECTIVE SURFACE.

STEP 2. INSTALL THE TUBE CONNECTORS FROM THE P200 PLUG KIT INTO THE TOP TUBE.

STEP 3. POSITION THE STEP TUBE, CENTER PLATE AND TOP TUBE BETWEEN THE GRILLE GUARD SIDE PLATES.

STEP 4. ATTACH THE STEP TUBE TO THE SIDE PLATES USING THE 3/8" x 1" BUTTON HEAD BOLTS, THE CENTER PLATE USING THE 3/8" X 1 1/4" HEX HEAD BOLTS, LOCK WASHERS, AND NUTS, AND TOP TUBE USING THE P200 PLUG KIT HARDWARE.

STEP 5. ALIGN THE GRILLE ASSEMBLY AND TIGHTEN ALL NUTS AND BOLTS.



INSTALLATION INSTRUCTIONS

STEP 1. REMOVE HEX NUTS FROM MOUNTING STUDS WHICH ATTACH BUMPER PLATES TO FRAME BRACKETS. **NOTE: STEPS 1-4 ARE FOR DRIVER SIDE ONLY.**

STEP 2. PUSH BUMPER OUTWARD AND REMOVE ASSEMBLY CLIPS FROM MOUNTING STUDS.

STEP 3. REMOVE MOUNTING STUD ASSEMBLY AND LET BUMPER RETURN TO IT'S ORIGINAL POSITION.

STEP 4. PLACE 075D DRIVER SIDE SUPPORT BRACKET INSIDE BUMPER AND ATTACH TO FRAME PLATE WITH MOUNTING STUD ASSEMBLY PER DIAGRAM. SECURE WITH HEX NUTS REMOVED IN STEP #1.

STEP 5. REPEAT STEPS 1-4 FOR PASSENGER SIDE.

STEP 6. ATTACH 1126MT MOUNTING TABS TO INSIDE OF GRILLE GUARD SIDE PLATES USING 1/2 x 1 1/2" HEX BOLTS AND NYLON LOCK NUTS. NOTE: SHORT LEG OF MOUNTING TABS ATTACH TO GRILLE GUARD.

STEP 7. ALIGN GRILLE GUARD ASSEMBLY ON FRONT OF VEHICLE AND SCRIBE MOUNTING HOLES THROUGH TAB HOLES ON TOP AND BOTTOM BUMPER.

STEP 8. DRILL 1/2" HOLES IN BUMPER TOP, BOTTOM AND THROUGH SUPPORT BRACKETS.

STEP 9. ATTACH GRILLE GUARD ASSEMBLY TO TOP AND BOTTOM OF BUMPER USING 1/2 x 1 1/2" HEX BOLTS AND NYLON LOCK NUTS SUPPLIED.

