



Installation Instructions

3000 Series StepGuard (Center Grille Guard Only) Part Number 3295B, 3295C

2015-2016 Ford F-150 2/4WD

(Excludes Models with Active Park Assist & Adaptive Cruise Control)

Grille Guard Assembly Parts List

Item	Qty.	Part #	Description	Torque
1	2	32953AA	Side Plate	
2	1	TT3295	Top Tube	
3	1	CP3295	Center Plate	
4	1	ST3295	Bottom Step Tube	
5	10		3/8" x 1 1/4" Hex Bolt	30 Ft. Lbs
6	4		3/8" Flat Washer	
7	10		3/8" Lock Washer	
8	4		3/8" Hex Nut	

Assembly & Installation Tools Required

21mm, 1/2", 9/16" & 3/4" Socket

21mm, 1/2", 9/16" & 3/4" Wrench

Slotted Screwdriver

Ratchet & Ratchet Extension

Utility Knife

Important Installation Notes and Suggestions

If equipped with Active Park Assist & Adaptive Cruise Control, installation of this grille guard will interfere with the function.

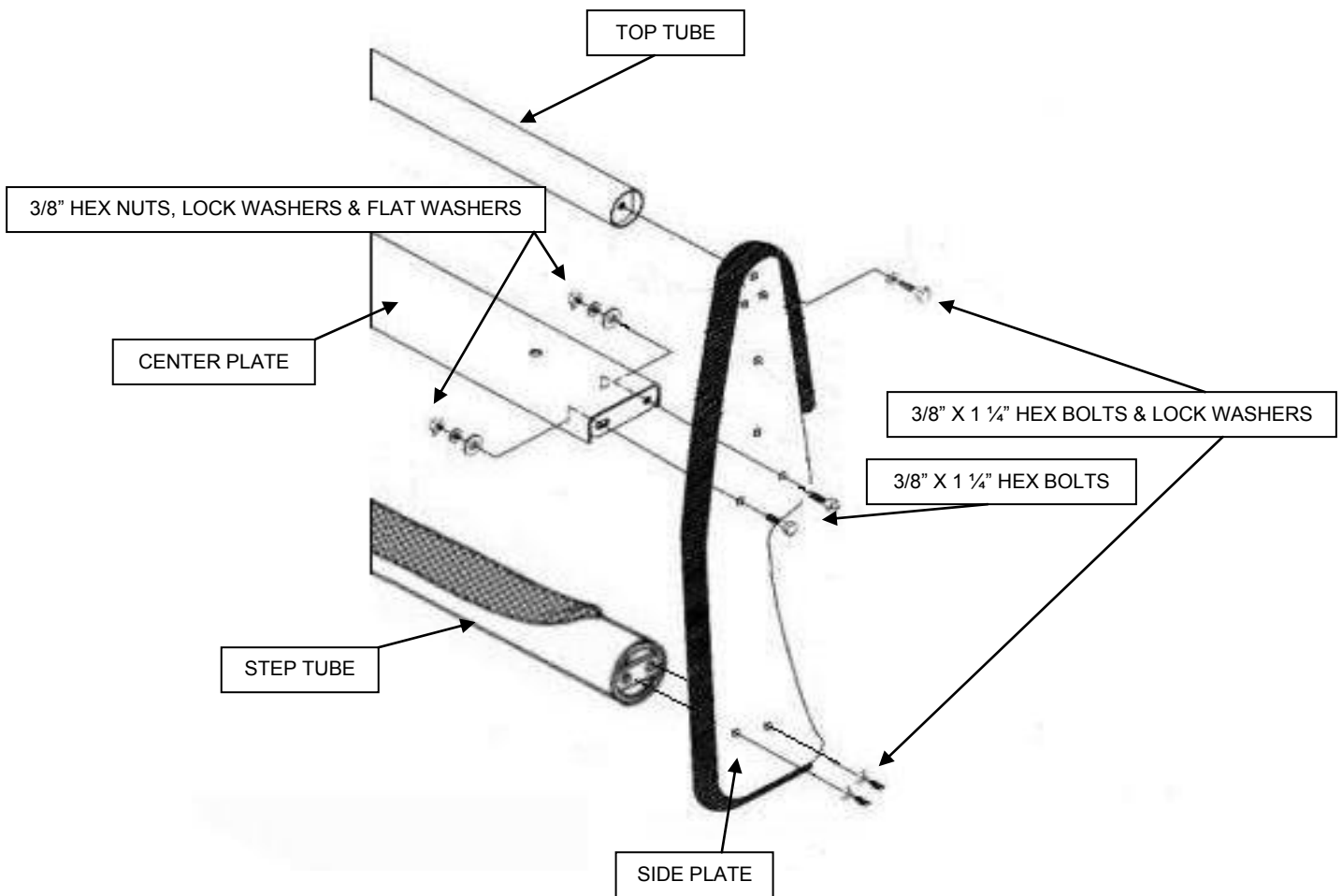
Cutting of the lower bumper valance is necessary to complete installation on models without factory tow hooks.

To maintain and care this product keep it clean and do not use abrasive cleaners or polish waxes.

Texture Painted Finish: Mild liquid detergent may be used. **Polished Stainless & Semi Gloss Painted Finishes:** We recommend using only non-abrasive automotive wax such as pure carnauba to avoid scratches and rust.

Grille Guard Assembly

1. Begin the assembly by laying out the grille guard components on a protective surface.
2. Position the side plate's front edge down, and the top tube, center plate and bottom step tube between the side plates. Attach the top tube to each side plate using (1) 3/8" x 1 1/4" hex bolt and (1) 3/8" lock washer, center plate using (2) 3/8" x 1 1/4" hex bolts, (2) 3/8" flat washers, (2) 3/8" lock washers and (2) 3/8" hex nuts, and the bottom step tube using (2) 3/8" x 1 1/4" hex bolts and (2) 3/8" lock washers.
3. Align the grille guard assembly and tighten all nuts and bolts.





Installation Instructions

3000 Series StepGuard (Center Grille Guard Only) Part Number 3295B, 3295C

2015-2016 Ford F-150 2/4WD

(Excludes Models with Active Park Assist & Adaptive Cruise Control)

Installation Parts List

Item	Qty.	Part #	Description	Torque
1	1 Pr.	504334BA	Main Bracket	
2	2	504334AA	Auxiliary Bracket	
3	4		1/2" x 1 1/2" Tab Bolt	65 ft. lbs.
4	4		1/2" x 1 1/2" Hex Bolt	65 ft. lbs.
5	8		1/2" Flat Washer	
6	8		1/2" Lock Washer	
7	8		1/2" Hex Nut	
8	2		3/8" x 1 1/4" Hex Bolt	30 ft. lbs.
9	2		3/8" Flat Washer	
10	2		3/8" Lock Washer	
11	2		3/8" Hex Nut	
12	1		Bolt Wire Guide	

Assembly & Installation Tools Required

21mm, 1/2", 9/16" & 3/4" Socket

21mm, 1/2", 9/16" & 3/4" Wrench

Slotted Screwdriver

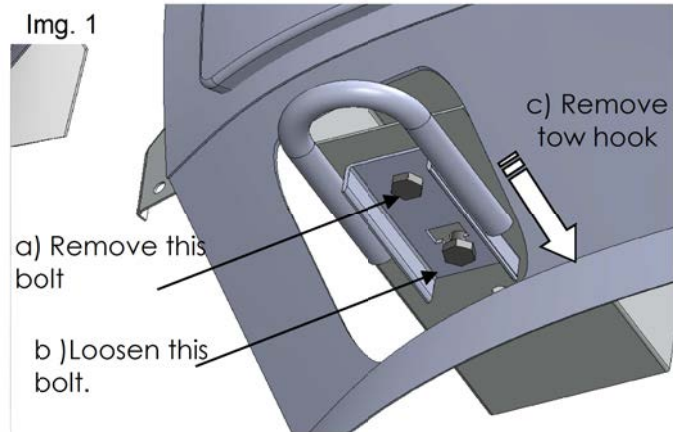
Ratchet & Ratchet Extension

Utility Knife

Installation Instructions

1. If equipped with Active Park Assist & Adaptive Cruise Control, installation of this grille guard will interfere with the function.
2. Cutting of the lower bumper valance is necessary to complete installation on models without factory tow hooks.
3. The approximate installation time is 45 min.

4. If the vehicle has tow hooks remove the plastic cap that covers the gap See *Img. 1*. If vehicle does not have tow hooks follow step 6.



5. Place lower bracket over the exposed tow hook bolt and re-install the tow hook over the grille guard bracket. Re-install using the original equipment bolts removed in step 2. *Img. 2*. Leave loose. Follow step 8.

PHOTO 1



6. If the vehicle does not have tow hooks, use the template, (printed at the end) as a guide to modify the lower valance. **NOTE:** Before proceeding with the valance modification, make sure that the supplied paper template has the dimensions clearly printed and check them out. **PROFESSIONAL INSTALLATION RECOMMENDED.**

PHOTO 2

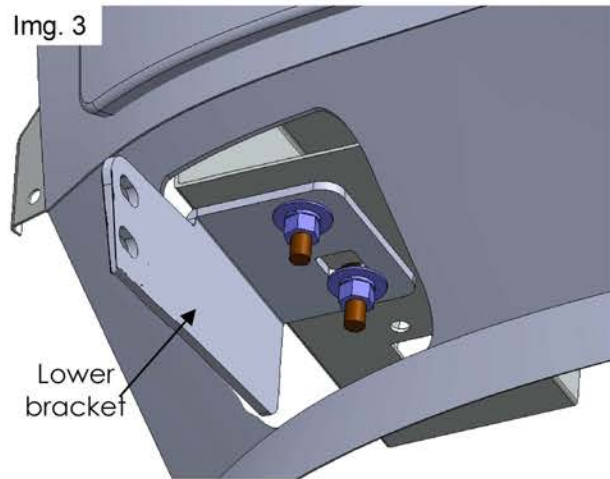
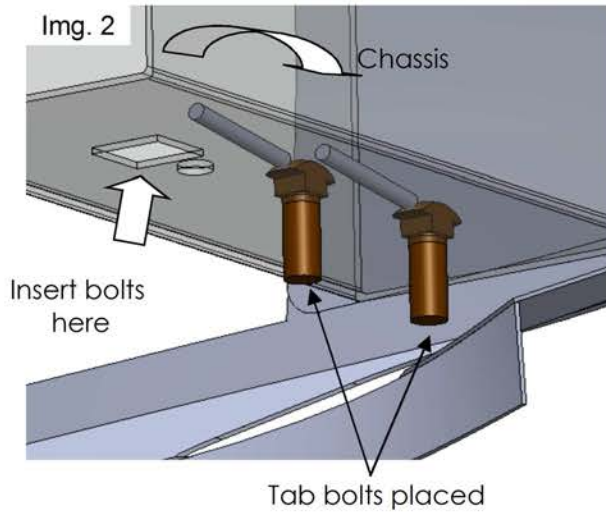
7. Align paper template to the edges shown at *Photo 3*, mark area to cut out and proceed. Repeat for opposite side, review symmetry.

Paper template



Cut out

8. Once openings were made, place tab bolts into the frame holes as shown at **Img. 2**. Use the wire guide to place tab bolts.
9. Place lower bracket on the bottom frame surface, fasten using 1/2" flat and lock washers and hex nuts. **Img. 3**



10. Remove the plastic bumper valance and locate the outer OEM nut. Remove it and position the auxiliary bracket and fix it see. **Photo 3 and 4**

PHOTO 3



PHOTO 4



11. After installing the auxiliary bracket cut the plastic front part of the. Bumper valance tho allow the proper position. Tighten the nut befor puting the bumper valance back. Photo 5 and 6

PHOTO 5



PHOTO 6



12 . Place Front grille guard as **Photo 7**, to secure lower bracket use 1/2 x 1 1/2" hex bolt, 1/2" flat washer and 1/2" lock nut. Secure to auxiliary bracket using 3/8 x 1 1/4" hex bolt, 3/8" flat washer and 3/8" lock nut. Leave loose.

PHOTO 7



13. Align the grille guard assembly with the front of the vehicle and tighten all assembly and installation nuts and bolts. PHOTO # 8
14. Periodically it may need re-tighten the bolts.
15. Fill the warranty card and place it inside your vehicle's glove box.

PHOTO 8



FORD F-150 2015

