



3000 SERIES STEPGUARD

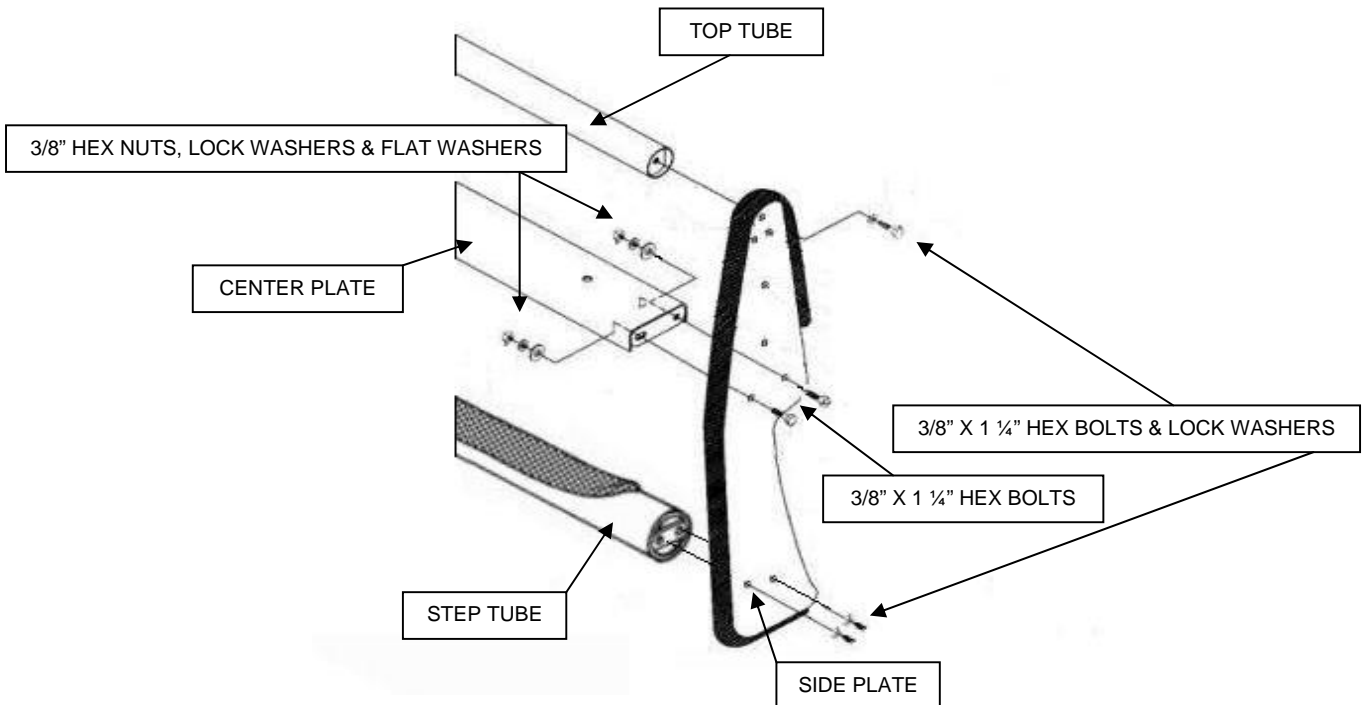
GRILLE GUARD ASSEMBLY INSTRUCTIONS

PART NO. 3293B & 3293C FORD F-150 / LOBO (INCL. ECOBOOST) 2009 - 2012

Do not attempt to install this product on any vehicle other than the one it is designed for and listed above!

PARTS LIST

<u>QTY</u>	<u>PART DESCRIPTION</u>	<u>QTY</u>	<u>PART DESCRIPTION</u>
10	3/8" X 1 1/4" HEX BOLT	2	3293 SIDE PLATE
10	3/8" LOCK WASHER	1	ST3293 3" X 38 1/4" BOTTOM STEP TUBE
4	3/8" HEX NUT	1	CP3293 38 1/4" CENTER PLATE
4	3/8" FLAT WASHER	1	TT3293 2" X 38 1/4" TOP TUBE



ASSEMBLY INSTRUCTIONS

NOTE: READ THE ASSEMBLY AND INSTALLATION INSTRUCTIONS COMPLETELY BEFORE YOU BEGIN.

THIS INSTALLATION REQUIRES CUTTING THE LOWER BUMPER VALANCE ON MODELS WITHOUT FACTORY TOW HOOKS.

- STEP 1.** BEGIN THE GRILLE GUARD ASSEMBLY BY LAYING THE COMPONENTS OUT ON A PROTECTIVE SURFACE.
- STEP 2.** POSITION THE GRILLE GUARD SIDE PLATES WITH THE FRONT EDGE DOWN AND THE TOP AND BOTTOM STEP TUBE BETWEEN THE SIDE PLATES.
- STEP 3.** ATTACH THE TOP AND BOTTOM STEP TUBE TO THE SIDE PLATES USING THE 3/8" X 1 1/4" HEX BOLTS AND LOCK WASHERS. DO NOT TIGHTEN.
- STEP 4.** POSITION THE CENTER PLATE BETWEEN THE GRILLE GUARD SIDE PLATES, WITH THE **SLOTTED MOUNTING HOLES** IN THE CENTER PLATE DOWN.
- STEP 5.** INSERT THE 3/8" X 1 1/4" HEX BOLTS THROUGH THE HOLES IN THE SIDE PLATES AND CENTER PLATE, AND INSTALL THE 3/8" FLAT WASHERS, LOCK WASHER AND HEX NUTS. DO NOT TIGHTEN.
- STEP 6.** ALIGN THE GRILLE GUARD, AND TIGHTEN ALL NUTS AND BOLTS.



3000 SERIES STEPGUARD

Do not attempt to install this product on any vehicle other than the one it is designed for and listed above!

PARTS LIST

<u>QTY</u>	<u>PART DESCRIPTION</u>	<u>QTY</u>	<u>PART DESCRIPTION</u>
1	DRIVER SIDE AUXILIARY UPPER BRACKET	4	1/2" LOCK NUT
1	DRIVER SIDE LOWER BRACKET	4	1/2" LOCK WASHER
1	DRIVER SIDE UPPER BRACKET	4	1/2" TAB BOLT
1	PASSENGER SIDE LOWER BRACKET	4	1/2 x 1 1/4" CARRIAGE BOLT
1	PASSENGER SIDE UPPER AUXILIARY BRACKET	6	3/8" FLAT WASHER
1	PASSENGER SIDE UPPER BRACKET	2	3/8" HEX NUT
2	VINYL GASKET	4	3/8" LOCK NUT
1	WIRE GUIDE	2	3/8" LOCK WASHER
2	M8-1.25 x 40M HEX HEAD BOLT	2	3/8" T-BOLT
2	5/16" FLAT WASHER	4	3/8 x 1 1/4" CARRIAGE BOLT
8	1/2" FLAT WASHER		
4	1/2" HEX NUT		

NOTE: READ THE ASSEMBLY AND INSTALLATION INSTRUCTIONS COMPLETELY BEFORE YOU BEGIN.

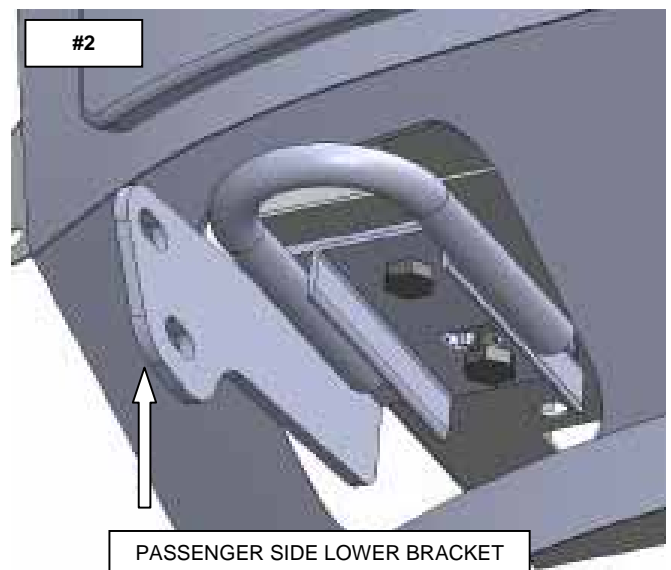
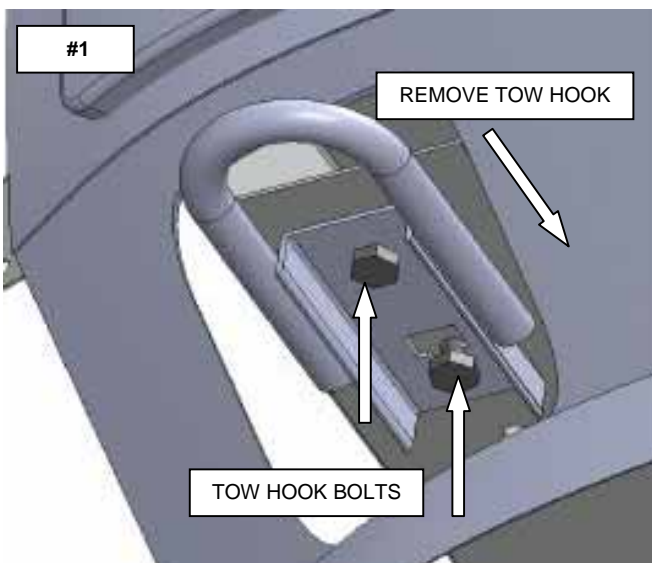
THIS INSTALLATION REQUIRES CUTTING THE LOWER BUMPER VALANCE ON MODELS WITHOUT FACTORY TOW HOOKS.

INSTALLATION

STEP 1. IF THE VEHICLE IS EQUIPPED WITH FACTORY TOW HOOKS, BEGIN THE INSTALLATION ON THE PASSENGER SIDE. LOCATE AND REMOVE THE TOW HOOK BOLT TOWARD THE FRONT OF THE VEHICLE, LOOSEN THE REAR BOLT AND REMOVE THE TOW HOOK. **SEE DIAGRAM #1**

NOTE: IF THE VEHICLE IS NOT EQUIPPED WITH FACTORY TOW HOOKS PROCEED TO **STEP 3.**

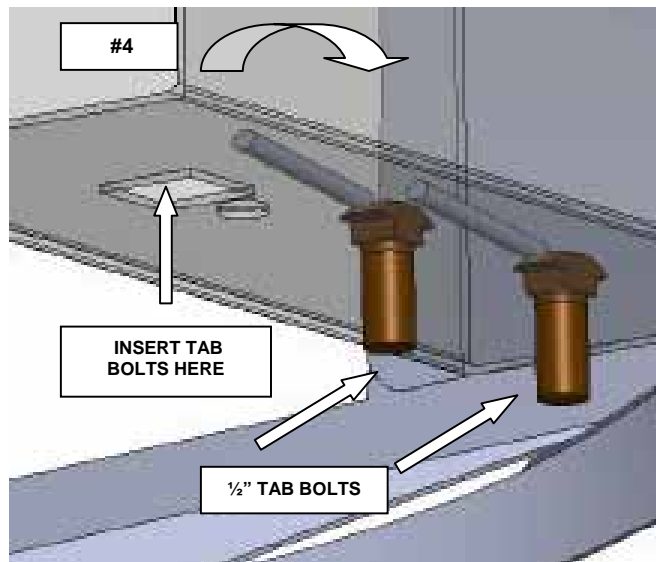
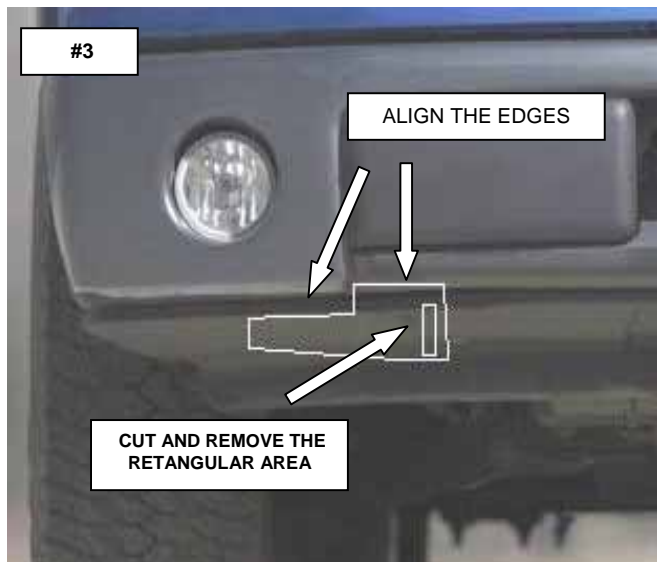
STEP 2. POSITION THE PASSENGER SIDE LOWER BRACKET OVER THE REAR TOW HOOK BOLT, THEN RE-INSTALL THE TOW HOOK AND FRONT BOLT. DO NOT TIGHTEN. **SEE DIAGRAM #2**
REPEAT THE ABOVE PROCEDURE TO INSTALL THE DRIVER SIDE LOWER BRACKET.



STEP 3. IF THE VEHICLE IS NOT EQUIPPED WITH FACTORY TOW HOOKS, USE THE SUPPLIED TEMPLATE AS A GUIDE TO MODIFY THE LOWER BUMPER VALANCE. ALIGN THE TEMPLATE WITH THE EDGES AS SHOWN. **SEE DIAGRAM #3.** USE A UTILITY KNIFE OR DREMEL TOOL TO CUT THE VALANCE. REPEAT THE PROCEDURE FOR THE DRIVER SIDE.

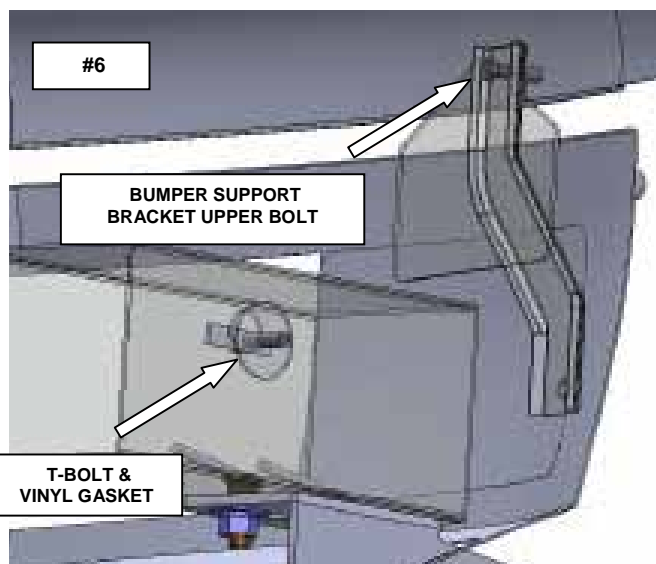
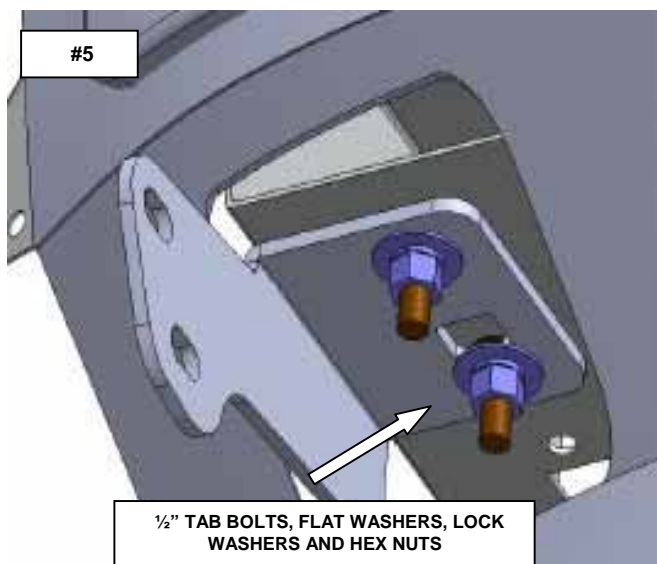
NOTE: BEFORE PROCEEDING WITH THE BUMPER VALANCE MODIFICATION, MAKE SHURE THAT THE TEMPLATE AND THE PRINTED DIMENSIONS ARE THE SAME. PROFESSIONAL INSTALLATION IS RECOMMENDED.

STEP 4. AFTER CUTTING THE BUMPER VALANCE INSTALL THE 1/2" TAB BOLTS IN THE FRAME RAIL USING THE WIRE GUIDE. **SEE DIAGRAM #4**



STEP 5. ATTACH THE PASSENGER SIDE LOWER BRACKET TO THE BOTTOM OF THE FRAME USING 1/2" FLAT WASHERS, LOCK WASHERS AND HEX NUTS. DO NOT TIGHTEN. **SEE DIAGRAM #5** REPEAT THE STEPS TO INSTALL THE DRIVER SIDE LOWER BRACKET.

STEP 6. LOCATE THE BUMPER SUPPORT BRACKET AND REMOVE THE UPPER BOLT. **SEE DIAGRAM #6** LOCATE THE LARGE ROUND HOLE IN THE SIDE OF THE FRAME. INSERT 3/8" T-BOLT INTO THE HOLE AND INSTALL (1) VINYL GASKET OVER THE THREADS TO PREVENT THE T-BOLT FROM FALLING INTO THE FRAME.

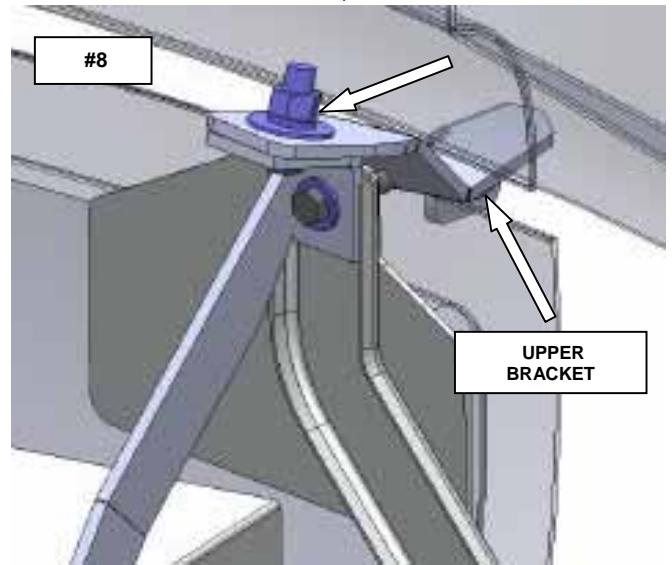
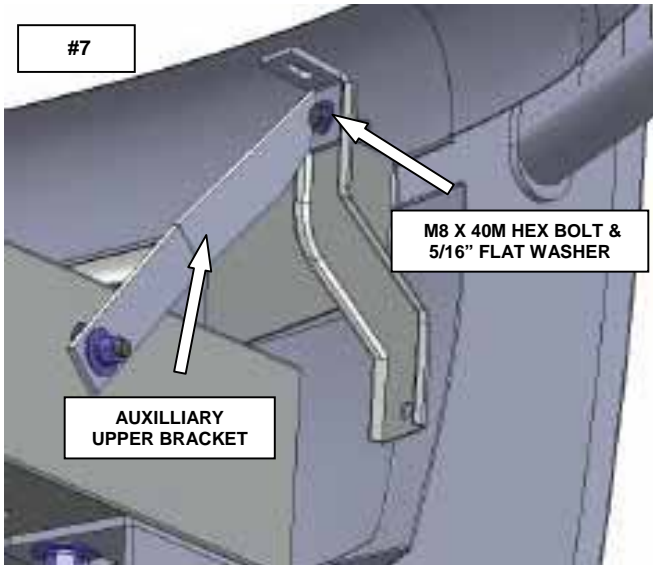


STEP 7. ATTACH THE AUXILIARY UPPER BRACKET TO THE BUMPER SUPPORT USING M8 X 40M HEX BOLT AND 5/16" FLAT WASHER, AND TO THE FRAME USING THE 3/8" T-BOLT, FLAT WASHER, LOCK WASHER AND HEX NUT. DO NOT TIGHTEN. **SEE DIAGRAM #7**

STEP 8. FROM THE FRONT OF THE VEHICLE, PULL UP ON THE BUMPER COVER AND INSERT THE PASSENGER SIDE UPPER BRACKET THROUGH THE GAP BETWEEN THE COVER AND BUMPER. ATTACH THE UPPER BRACKET TO THE AUXILIARY BRACKET USING 3/8" X 1 1/4" CARRIAGE BOLT, FLAT WASHER AND LOCK NUT. DO NOT TIGHTEN. SEE **DIAGRAM #8**

REPEAT THE STEPS TO INSTALL THE DRIVER SIDE UPPER BRACKETS.

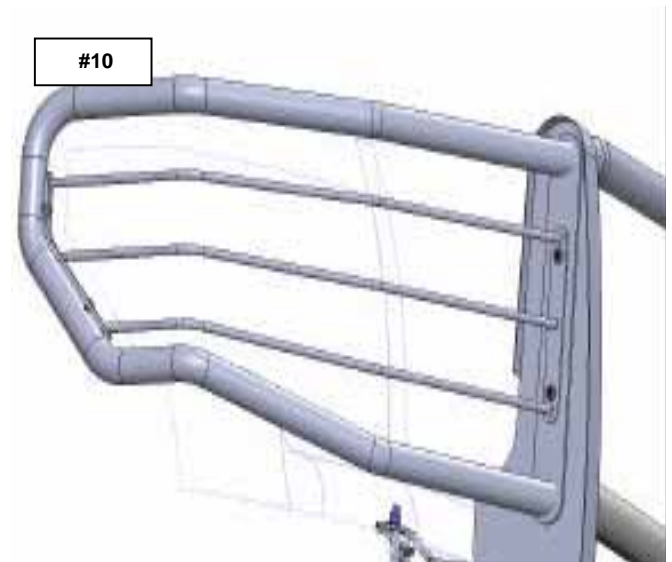
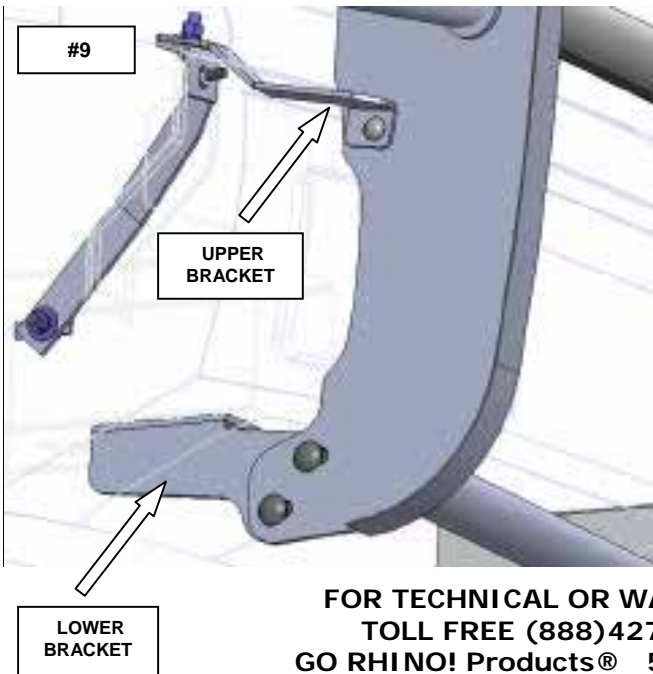
3/8" X 1 1/4" CARRIAGE BOLT, FLAT WASHER, LOCK NUT



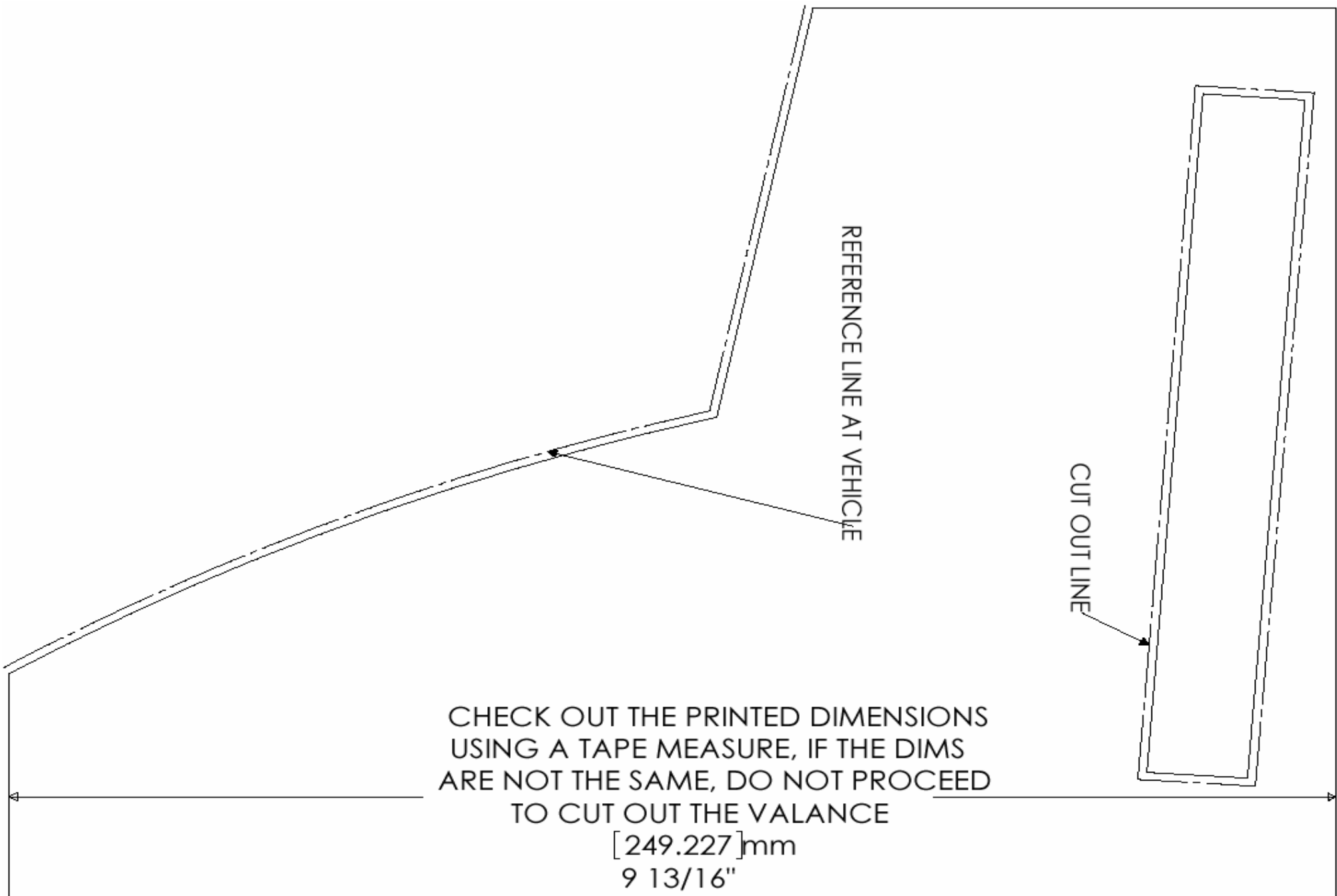
STEP 9. ATTACH THE GRILLE GUARD ASSEMBLY TO THE LOWER BRACKETS USING 1/2" X 1 1/4" CARRIAGE BOLTS, FLAT WASHERS AND LOCK NUTS AND TO THE UPPER BRACKETS USING 3/8" X 1 1/4" CARRIAGE BOLTS, FLAT WASHERS AND LOCK NUTS. SEE **DIAGRAM #9**

STEP 10. ALIGN THE GRILLE GUARD ASSEMBLY WITH THE FRONT OF THE VEHICLE AND TIGHTEN ALL ASSEMBLY AND INSTALLATION NUTS AND BOLTS. SEE **DIAGRAM #10**

IMPORTANT: CAREFULLY OPEN THE HOOD AND CHECK FOR CLEARANCE BETWEEN THE GRILLE AND GRILLE GUARD TOP TUBE. IF NECESSARY, LOOSEN THE MOUNTING BRACKETS AND ADJUST.



**FOR TECHNICAL OR WARRANTY INFORMATION CALL:
TOLL FREE (888)427-4466 FAX (714)672-0278
GO RHINO! Products® 591 W. Apollo St. Brea, CA 92821**



REFERENCE LINE AT VEHICLE

CUT OUT LINE

CHECK OUT THE PRINTED DIMENSIONS
USING A TAPE MEASURE, IF THE DIMS
ARE NOT THE SAME, DO NOT PROCEED
TO CUT OUT THE VALANCE

[249.227]mm
9 13/16"