

GO RHINO!

PRODUCTS®

3000 SERIES STEPGUARD

GRILLE GUARD

ASSEMBLY INSTRUCTIONS

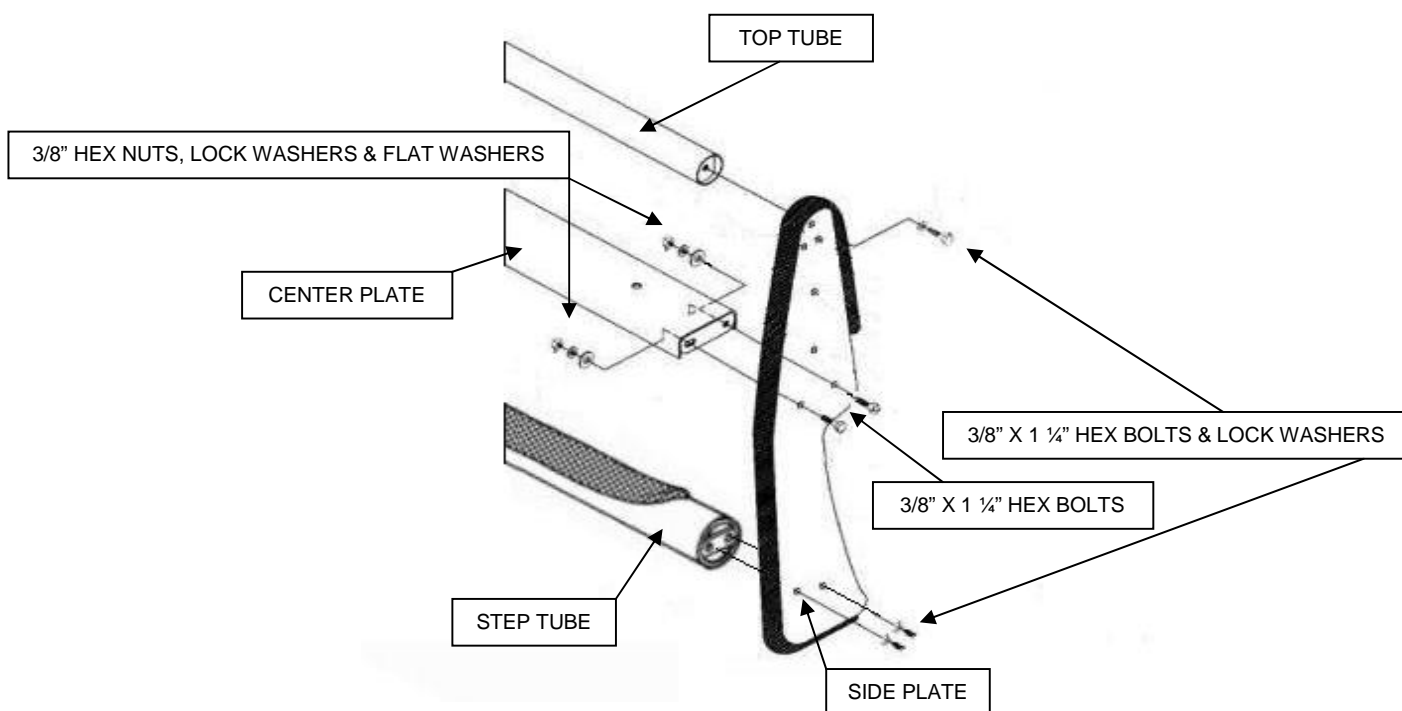
PART NO. 3291B & 3291C 07-12 FORD EXPEDITION 2/4WD

(Excludes Limited and King Ranch models equipped with Front Park Assist)

Do not attempt to install this product on any vehicle other than the one it is designed for and listed above!

PACKING LIST

<u>QTY</u>	<u>PARTS DESCRIPTION</u>	<u>QTY</u>	<u>PARTS DESCRIPTION</u>
10	3/8" X 1 1/4" HEX BOLTS	2	3291 SIDE PLATES
10	3/8" LOCK WASHERS	1	ST3003 3" X 28 5/8" BOTTOM STEP TUBE
4	3/8" HEX NUTS	1	TT2858 2" X 28 5/8" TOP TUBE
4	3/8" FLAT WASHERS	1	CP3003 28 5/8" CENTER PLATE



ASSEMBLY

STEP-1 BEGIN THE GRILLE GUARD ASSEMBLY BY LAYING THE COMPONENTS OUT ON A PROTECTIVE SURFACE.

STEP-2 POSITION THE GRILLE GUARD SIDE PLATES WITH THE FRONT EDGE DOWN AND THE 2" TOP AND BOTTOM STEP TUBE BETWEEN THE SIDE PLATES.

STEP-3 ATTACH THE TOP AND BOTTOM STEP TUBE TO THE SIDE PLATES USING THE 3/8" X 1 1/4" HEX BOLTS AND LOCK WASHERS. DO NOT TIGHTEN.

STEP-4 POSITION THE CENTER PLATE BETWEEN THE GRILLE GUARD SIDE PLATES, WITH THE **SLOTTED MOUNTING** HOLES IN THE CENTER PLATE DOWN.

STEP-5 INSERT THE 3/8" X 1 1/4" HEX BOLTS THROUGH THE HOLES IN THE SIDE PLATES AND CENTER PLATE, AND INSTALL THE 3/8" FLAT WASHERS, LOCK WASHER AND HEX NUTS. DO NOT TIGHTEN.

STEP-6 ALIGN THE GRILLE GUARD ASSEMBLY, AND TIGHTEN ALL NUTS AND BOLTS.



3000 SERIES STEPGUARD

GRILLE GUARD

INSTALLATION INSTRUCTIONS

PART NO. 3291B & 3291C 07-12 FORD EXPEDITION 2/4WD

(Excludes Limited and King Ranch models equipped with Front Park Assist)

Do not attempt to install this product on any vehicle other than the one it is designed for and listed above!

PACKING LIST

<u>QTY</u>	<u>PARTS DESCRIPTION</u>	<u>QTY</u>	<u>PARTS DESCRIPTION</u>
4	3/8" X 1 1/4" HEX BOLTS	1	2914P PASSENGER LOWER BRACKET
2	3/8" X 1" BUTTON HEAD BOLTS	1	2914D DRIVER LOWER BRACKET
6	3/8" FLAT WASHERS	1	2913P PASSENGER CENTER BRACKET
6	3/8" LOCK WASHERS	1	2913D DRIVER CENTER BRACKET
6	3/8" HEX NUTS	1	2912P PASSENGER UPPER BRACKET
8	1/2" HEX NUTS	1	2912D DRIVER UPPER BRACKET
8	1/2" FLAT WASHERS	3	PLASTIC TREE CLIPS
8	1/2" LOCK WASHERS	2	2910S 1/2" BOLT PLATE (SHORT)
4	1/2" X 1 1/2" HEX BOLTS	2	2910L 1/2" BOLT PLATE (LONG)

INSTALLATION

NOTE: THIS INSTALLATION REQUIRES PERMANENT REMOVAL OF THE FACTORY TOW HOOKS AND FASTENERS.

STEP-1 READ THE INSTRUCTIONS COMPLETELY. BEGIN THE INSTALLATION BY REMOVING THE (3) PLASTIC TREE CLIPS SECURING THE RUBBER SPLASH GUARD. PUSH THE SPLASH GUARD UP OUT OF THE WAY TO EXPOSE THE CENTER BRACKET MOUNTING POINTS. **FIG. #1**

STEP-2 BEGINNING WITH THE DRIVER SIDE, POSITION (1) 2910L BOLT PLATE THROUGH THE OPENING IN THE END OF THE FRAME AND INSERT THE BOLT THROUGH THE REAR TOW HOOK MOUNTING HOLE. REPEAT THE PROCEDURE AND INSTALL (1) 2910S BOLT PLATE IN THE FRONT TOW HOOK MOUNTING HOLE. **FIG. #2 & FIG. #3**

STEP-3 POSITION 2914D LOWER BRACKET OVER THE BOLTS. SECURE THE BRACKET USING (2) 1/2" FLAT WASHERS, LOCK WASHERS AND HEX NUTS. DO NOT TIGHTEN. **FIG. #4**

STEP-4 LOCATE THE (2) NUTS AND STUDS THAT SECURE THE BUMPER BRACKET TO THE FRAME RAIL REMOVE THE (2) NUTS AND POSITION 2913D CENTER BRACKET OVER THE STUDS. SECURE THE CENTER BRACKET USING THE FACTORY NUTS. DO NOT TIGHTEN. **FIG. #5**

STEP-5 FROM BEHIND THE GRILLE, INSERT 2912D UPPER BRACKET THROUGH THE OPENING IN THE GRILLE. LOOSELY ATTACH THE UPPER BRACKET TO THE CENTER BRACKET USING (2) 3/8" X 1 1/4" HEX BOLTS, FLAT WASHERS, LOCK WASHERS AND HEX NUTS. **FIG. #6**

REPEAT THE ABOVE STEPS TO INSTALL THE PASSENGER SIDE BRACKETS.

STEP-6 ATTACH THE GRILLE GUARD ASSEMBLY TO THE OUTSIDE OF THE LOWER MOUNTING BRACKETS USING (4) 1/2" X 1 1/2" HEX BOLTS, FLAT WASHERS, LOCK WASHERS AND HEX NUTS. DO NOT TIGHTEN. **FIG. #7**

STEP-7 ATTACH THE GRILLE GUARD ASSEMBLY TO THE OUTSIDE OF THE UPPER MOUNTING BRACKETS USING (2) 3/8" X 1 1/4" HEX BOLTS, FLAT WASHERS, LOCK WASHERS AND HEX NUTS. DO NOT TIGHTEN. **FIG. #8**

STEP-8 ALIGN THE GRILLE GUARD ASSEMBLY WITH THE FRONT OF THE VEHICLE AND TIGHTEN ALL NUTS AND BOLTS.

STEP-9 TRIM THE RUBBER SPLASH GUARD TO CLEAR THE BRACKETS AND SECURE USING THE (3) PLASTIC TREE CLIPS SUPPLIED.

