



3000 SERIES STEPGUARD

GRILLE GUARD ASSEMBLY INSTRUCTIONS

PART NO. 3185B & 3185C 94 - 01 Dodge Ram 1500 / 94 - 02 Ram 2500, 3500 (EXC. 99-02 Sport)

Do not attempt to install this product on any vehicle other than the one it is designed for and listed above!

PART LIST

<u>QTY</u>	<u>PART DESCRIPTION</u>	<u>QTY</u>	<u>PART DESCRIPTION</u>
2	1/2 x 4 1/2" HEX BOLT	2	94077 FRAME BRACKETS
4	1/2 x 1 1/2" HEX BOLT	2	93400 TOP BRACKETS
4	1/2" FLAT WASHER	2	1/4 X 3/4" HEX BOLT
6	1/2" LOCK WASHER	2	1/4" FLAT WASHER
6	1/2" HEX NUT	2	1/4" HEX NUT
4	3/8 x 1" HEX BOLT	1	P200 PLUG KIT
8	3/8 x 1" BUTTON ALLEN BOLT		
6	3/8" FLAT WASHER		
8	3/8" LOCK WASHER		
8	3/8" HEX NUT		

ASSEMBLY INSTRUCTIONS

READ THE ASSEMBLY AND INSTALLATION INSTRUCTIONS COMPLETELY BEFORE YOU BEGIN.

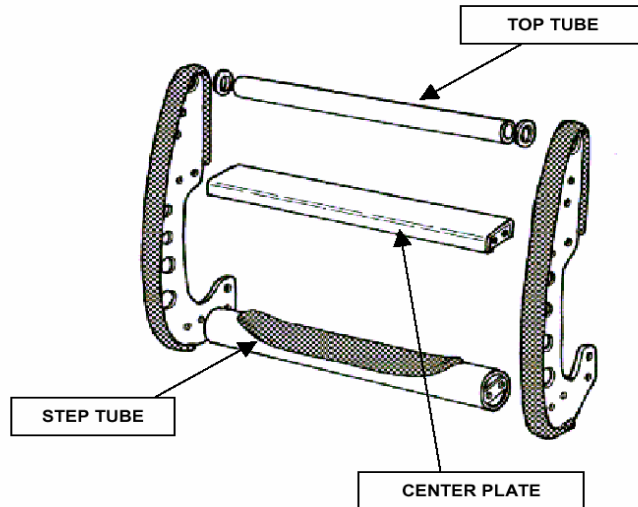
STEP 1. BEGIN THE GRILLE ASSEMBLY BY LAYING THE COMPONENTS OUT ON A PROTECTIVE SURFACE.

STEP 2. INSTALL THE TUBE CONNECTORS FROM THE P200 PLUG KIT INTO THE TOP TUBE.

STEP 3. POSITION THE STEP TUBE, CENTER PLATE AND TOP TUBE BETWEEN THE GRILLE GUARD SIDE PLATES.

STEP 4. ATTACH THE STEP TUBE TO THE SIDE PLATES USING THE 3/8" x 1" BUTTON HEAD BOLTS, THE CENTER PLATE USING THE 3/8" X 1" HEX HEAD BOLTS, LOCK WASHERS, AND NUTS, AND TOP TUBE USING THE P200 PLUG KIT HARDWARE.

STEP 5. ALIGN THE GRILLE GUARD ASSEMBLY AND TIGHTEN ALL NUTS AND BOLTS.



INSTALLATION INSTRUCTIONS

NOTE: FRONT SPOILER MUST BE MODIFIED TO INSTALL GRILLE GUARD.

STEP 1. USING ONE OF THE 1/2 x 4 1/2" HEX BOLTS AND 5/8" HEX NUTS, SLIDE THE HEX NUT OVER THE SHANK OF THE BOLT. POSITION THE ASSEMBLED NUT AND BOLT (THREADED END FIRST) UP THROUGH OPENING IN BOTTOM OF THE FRONT CROSSMEMBER AND SLIDE THROUGH OBROUND HOLES IN SIDE OF FRAME RAIL AS SHOWN IN DIAGRAM "A". NOTE: 94-96 MODELS DO NOT HAVE THE BOXED FRONT CROSSMEMBER.

STEP 2. REMOVE THE TWO HEX NUTS AND FLANGE BOLT ASSEMBLY THAT SECURE THE BUMPER BRACKET TO THE INSIDE OF THE FRAME RAIL. POSITION THE FLANGE BOLT ASSEMBLY FROM INSIDE OF THE FRAME RAIL WITH THREADS FACING OUTWARDS.

STEP 3. POSITION ONE OF THE 94077 FRAME BRACKETS ON THE OUT SIDE OF THE FRAME OVER THE LOWER FLANGE BOLT AND 1/2 x 4 1/2" HEX BOLT AS SHOWN IN DIAGRAM "A". SECURE USING FLANGE BOLT NUTS AND 1/2" HEX NUT AND LOCK WASHERS. DO NOT TIGHTEN.

STEP 4. REPEAT THE ABOVE STEPS FOR THE PASSENGER SIDE.

STEP 5. REMOVE THE LICENSE PLATE AND PLASTIC MOUNTING BRACKET FROM FRONT BUMPER. USING THE BOTTOM HOLES IN THE LICENSE PLATE, ATTACH THE LICENSE PLATE TO THE FACTORY BRACKET TOP MOUNTING POINTS ON FACE OF METAL BUMPER. SECURE USING 1/4 x 3/4" HEX BOLTS, FLAT WASHERS AND HEX NUTS SUPPLIED.

STEP 6. MEASURE OVER APPROXIMATELY 17 1/2" AND 18" FROM CENTER OF THE FRONT SPOILER ON BOTH SIDES AND SCRIBE VERTICAL LINES. MEASURE INTERSECTING LINES APPROXIMATELY 3/4" AND 3 3/4" UP FROM BOTTOM EDGE OF THE SPOILER SECTION BETWEEN THE LINES. NOTE: VERIFY MEASUREMENTS BEFORE CUTTING.

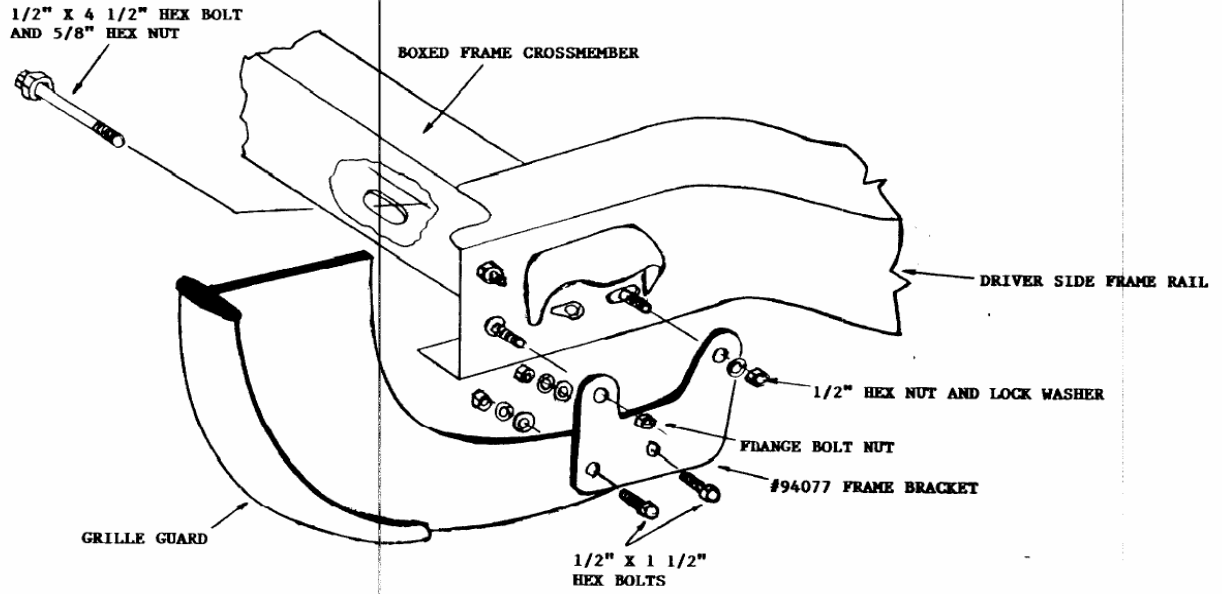
STEP 7. PLACE THE LOWER LEGS OF GRILLE TROUGH SLOTS CUT OUT IN SPOILER AND ATTACH TO THE INSIDE OF THE FRAME BRACKETS USING 1/2 X 1 1/2" HEX BOLTS, FLAT WASHERS, LOCK WASHERS AND HEX NUTS. DO NOT TIGHTEN.

STEP 8. USING THE 1/2" HOLES IN CENTER PLATE, ATTACH THE SHORT END OF THE 93400 BRACKETS TO THE UNDERSIDE OF THE CENTER PLATE WITH 3/8 x 1" BUTTON HEAD BOLTS, FLAT WASHERS, LOCK WASHERS AND HEX NUTS SUPPLIED. DO NOT TIGHTEN.

STEP 9. ALIGN 93400 BRACKETS WITH TOP OF BUMPER AND DRILL 3/8" HOLES THROUGH BUMPER USING THE HOLES IN BRACKETS AS A GUIDE. ATTACH BRACKETS TO BUMPER USING 3/8 x 1" BUTTON HEAD BOLTS, FLAT WASHERS, LOCK WASHERS AND HEX NUTS.
IMPORTANT: OPEN HOOD AND CHECK CLEARANCE BETWEEN GRILLE AND TOP TUBES BEFORE DRILLING.

STEP 10. ALIGN GRILLE GUARD WITH FRONT OF VEHICLE AND TIGHTEN ALL NUTS AND BOLTS.

DODGE RAM 2/4WD P/U DIAGRAM (A)
ASSEMBLY VIEW OF DRIVER SIDE



DODGE RAM 2/4WD P/U DIAGRAM (B)

