



## PRODUCT SAFETY & LEGAL DISCLAIMER

- **IMPORTANT READ ALL INSTRUCTIONS CAREFULLY BEFORE INSTALLING, FAILURE TO DO SO MAY CAUSE PERSONAL INJURY OR DAMAGE TO PRODUCT AND/OR PROPERTY.**
- **Review the product package and contents prior to beginning the installation.** Take care when opening the packaging and removing items. If a return is needed you will want to return the product in its original packaging if possible.
- This instruction guide is provided as a GENERAL installation guide, some vehicles vary dimensionally and may require additional steps.
- Test fit the product on the vehicle prior to any third party modifications and or finishing. The manufacturer and/or distributors do not accept responsibility for third party charges, labor and or third part replacement modifications. Some modifications may void the factory warranty.
- Exercise due-diligence when installing this product. The manufacturer and distributors of this product do not accept any responsibility for vehicle damage or personal injury resulting from the installation of this product. Careless installation and operation can result in serious injury or equipment damage.
- This product is for general off-road use. All liability for installation and use rests with the owner/operator.
- **INSTALLER:** Once installation is complete, please return this guide along with other documentation included in this product back to the consumer for future reference. The manufacturer/distributors of this product do not guarantee this particular version will be available at a later date.

## INJURY HAZARD

Please complete a shop and tool inspection prior to beginning the installation.

- Always make sure you have a clean, dry and well lit work area.
- Always remove jewelry, loose fitting clothing and wear protective gloves and eye protection.
- Always use extreme caution when jacking or raising a vehicle for work. Set the emergency brake and use tire/wheel blocks and jack stands. Refer to the vehicle manufacturer hand book. Utilize the vehicle manufacturers designated lifting points.
- Always use appropriate and adequate care in lifting parts during disassembly and installation. Seek help in lifting heavy or large items into place. Utilize jacks and or lifting devices when available.
- Always insure products are secure during disassembly and installation.
- Always wear eye protection and take steps to protect any exposed skin during the installations. Drilling, cutting and grinding plastic and metal may create flying particles that can cause injury.
- Always use extreme caution when drilling, cutting and or grinding on a vehicle. Thoroughly inspect the area to be drilled, on both sides of material, prior to modification and relocate any objects that may become damaged.
- Always assemble and tighten all fasteners per the installation instructions.
- Always route electrical cables carefully. Avoid moving parts, parts that may become hot and rough or sharp edges.
- Always insulate and protect all exposed wiring and electrical connections.

## MAINTENANCE AND CARE

- Always perform regular inspections and maintenance on mounts and related fasteners.
- Periodically check and tighten all fasteners.
- Stripped, fractured, or bent fasteners must be replaced.
- After washing the vehicle make sure to fully dry all surfaces.
- In areas with cold temperatures make sure to wash the product often to remove harmful materials used on road ways.
- Never use abrasive cleaners or polish compounds. Clean with a gentle soap and water. If you use wax use a non-abrasive automotive wax such as pure carnauba wax.

## WARNING

Some products have been designed to work together with factory rear sensor systems, factory forward facing sensor systems and factory air bags.

- Installation of some of these products may alter the factory sensor system performance.
- Factory sensors may read shackles or hooks protruding from the fairlead and or tow hooks.
- All sensor testing is completed by Go Rhino Products and or third party testing labs on modified vehicles.
- Sensor sensitivity, factory sensor housing, orientation, and operating conditions are all variables that will influence functionality of the sensors.
- Installation of some product may affect the factory air bag systems.
- Some products allow the use of third party products such as winches, shackles, hooks, etc. Follow the respective manufacturers operating instructions for use with our products.
- Make sure to fully understand the product, its intended use and operation prior to use.
- Above all... be safe!

## LIMITED WARRANTY

Go Rhino warrants to Buyer that for the life of the product(s) from the date of shipment of the product(s) ("Warranty Period") for polished stainless steel finished products purchased after April 2004, that such products will materially conform to the specifications set forth in Go Rhino's specifications in effect as of the date of shipments and will be free from material defects in material and workmanship.

Warranty claims must be accompanied with the original invoice and photos of the product. It is the customer's responsibility to clean regularly and protect finish with regular applications of a nonabrasive polish that is compatible with the product's finish.

This warranty covers the cost of the product only and does not include the cost of removal, installation, third party modifications or shipping of the product. In no event shall Go Rhino be liable to buyer or any third party for any damage or harm caused by the product or use thereof, regardless of weather such damages were foreseeable and whether or not Go Rhino has been advised of the possibility of such damages, notwithstanding the failure of any agreed or other remedy of its essential purpose. This warranty is void if the product shows signs of alteration, misuse, mishandling, improper care, neglect, improper application and/or damage due to improper installation.

With respect to any such product(s) during the limited warranty period, Go Rhino shall, in its sole discretion, either: (i) provide a one-time repair or replacement of such products (or the defective part) or (ii) credit or refund the price of such products at the pro rata contract rate provided that, if Go Rhino so requests, Buyer shall, at Go Rhino's expense, return such product(s) to Go Rhino. The remedies shall be the Buyer's sole and exclusive remedy and Go Rhino's entire liability for any breach of the limited warranty (ies).

Go Rhino disclaims all other warranties except to the extent that any such warranty cannot be validly disclaimed under applicable law.

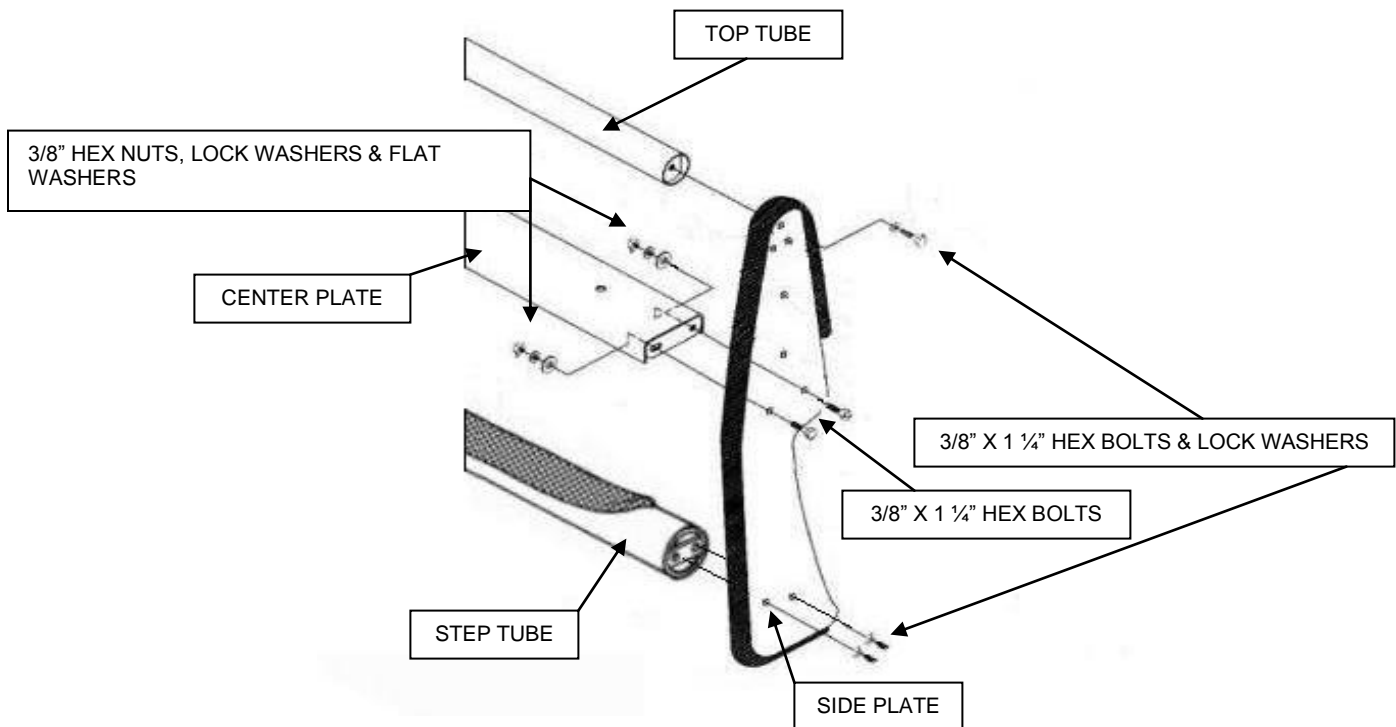
## INSTALLATION INSTRUCTIONS

3000 SERIES STEP GUARD (CENTER GRILLE GUARD ONLY)  
CHEVROLET SILVERADO 1500 2/4WD  
PART # 3163 (B-C)



### ASSEMBLY PARTS LIST

<u>QTY</u>	<u>PARTS DESCRIPTION</u>	<u>QTY</u>	<u>PARTS DESCRIPTION</u>
10	3/8" X 1 1/4" HEX BOLTS	2	3163 SIDE PLATES
10	3/8" LOCK WASHERS	1	ST3006 3" X 35 3/4" BOTTOM STEP TUBE
4	3/8" HEX NUTS	1	TT3534 2" X 35 3/4" TOP TUBE
4	3/8" FLAT WASHERS	1	CP3006 35 3/4" CENTER PLATE



### ASSEMBLY

- STEP 1.** BEGIN THE GRILLE GUARD ASSEMBLY BY LAYING THE COMPONENTS OUT ON A PROTECTIVE SURFACE.
- STEP 2.** POSITION THE GRILLE GUARD SIDE PLATES WITH THE FRONT EDGE DOWN AND THE 2" TOP AND BOTTOM STEP TUBE BETWEEN THE SIDE PLATES.
- STEP 3.** ATTACH THE TOP AND BOTTOM STEP TUBE TO THE SIDE PLATES USING THE 3/8" X 1 1/4" HEX BOLTS AND LOCK WASHERS. DO NOT TIGHTEN.
- STEP 4.** POSITION THE CENTER PLATE BETWEEN THE GRILLE GUARD SIDE PLATES, WITH THE **SLOTTED MOUNTING HOLES** IN THE CENTER PLATE DOWN.
- STEP 5.** INSERT THE 3/8" X 1 1/4" HEX BOLTS THROUGH THE HOLES IN THE SIDE PLATES AND CENTER PLATE, AND INSTALL THE 3/8" FLAT WASHERS, LOCK WASHER AND HEX NUTS. DO NOT TIGHTEN.
- STEP 6.** ALIGN THE GRILLE GUARD ASSEMBLY, AND TIGHTEN ALL NUTS AND BOLTS.

## INSTALLATION PARTS LIST

QTY	PARTS DESCRIPTION	QTY	PARTS DESCRIPTION
2	3/8" X 1" BUTTON HEAD BOLTS	1	1631P PASSENGER LOWER BRACKET
2	3/8" FLAT WASHERS	1	1631D DRIVER LOWER BRACKET
2	3/8" LOCK WASHERS	2	1602 LOWER BRACKETS
2	3/8" HEX NUTS	1	1630P PASSENGER UPPER BRACKET
12	1/2" HEX NUTS	1	1630D DRIVER UPPER BRACKET
12	1/2" FLAT WASHERS	12	1/2" X 1 1/2" HEX BOLTS
12	1/2" LOCK WASHERS		

### INSTALLATION

**STEP 1.** READ THE INSTRUCTIONS COMPLETELY.

**STEP 2.** OPEN THE HOOD, LOCATE AND REMOVE THE (8) PLASTIC RIVETS AND THE TRIM PANEL. **FIG #1 & FIG #2**

**STEP 3.** REMOVE THE (4) SCREWS SECURING THE TOP OF THE GRILLE.  
WORKING FROM ONE SIDE, USE A PAIR OF PLIERS TO SQUEEZE THE MOUNTING CLIPS SECURING THE GRILLE AND REMOVE THE GRILLE BY PULLING GENTLY OUTWARD. **FIG #3 & FIG #4**

**STEP 4.** BEGINNING WITH THE DRIVER SIDE, TEMPORALLY REMOVE THE MOUNTING BOLTS AND TOW HOOK FROM THE FRAME.

FROM BEHIND THE BUMPER FASCIA, INSERT 1631D LOWER MOUNTING BRACKET THROUGH THE TOW HOOK OPENING AND REPOSITION THE TOW HOOK INSIDE THE FRAME. **FIG #5**

**STEP 5.** ATTACH 1631D AND 1602 LOWER BRACKETS TO THE FRAME USING THE FACTORY TOW HOOK NUT AND BOLTS. ATTACH THE LOWER BRACKETS TOGETHER USING (1) 1/2" X 1 1/2" HEX BOLT, FLAT WASHER, LOCK WASHER AND HEX NUT. **FIG. #6 & FIG. #7** DO NOT TIGHTEN.

**NOTE:** IF THE VEHICLE IS NOT EQUIPPED WITH FACTORY TOW HOOKS, ATTACH THE LOWER BRACKETS TO THE FRAME USING (3) 1/2" X 1 1/2" HEX BOLTS, FLAT WASHERS LOCK WASHERS AND NUTS SUPPLIED. IT MAY BE NECESSARY TO ENLARGE THE HOLES IN THE FRAME.

**STEP 6.** LOCATE AND REMOVE THE UPPER BUMPER BOLT FROM THE FRAME RAIL.  
ATTACH 1630D UPPER BRACKET TO THE FRAME, USING THE FACTORY BUMPER BOLT. **FIG #8 & FIG #9** DO NOT TIGHTEN.

**STEP 7.** REPEAT THE ABOVE STEPS TO INSTALL THE PASSENGER SIDE BRACKETS. REINSTALL THE GRILLE AND THE (4) MOUNTING SCREWS. DO NOT REINSTALL THE TRIM PANEL.

**STEP 8.** ATTACH THE GRILLE GUARD ASSEMBLY TO THE LOWER BRACKETS USING (4) 1/2" X 1 1/2" HEX BOLTS, FLAT WASHERS, LOCK WASHERS AND HEX NUTS AND TO THE UPPER BRACKETS USING (2) 3/8" X 1" BUTTON HEAD BOLTS, FLAT WASHERS, LOCK WASHERS AND HEX NUTS. **FIG. #10 & FIG #11**

**STEP 9.** ALIGN THE GRILLE GUARD ASSEMBLY WITH THE FRONT OF THE VEHICLE AND TIGHTEN ALL TOW HOOK, UPPER BRACKET AND LOWER BRACKET NUTS AND BOLTS. REINSTALL THE TRIM PANEL AND PLASTIC RIVETS.



