

3000 SERIES STEPGUARD

COMPLETE GRILLE & BRUSH GUARD
 ASSEMBLY INSTRUCTIONS

PART NO. 3093B & 3093C 00-06 CHEVY TAHOE, SUBURBAN 1500 2/4WD
 99-02 CHEVY SILVERADO 1500 P/U 2/4WD (ALL MODELS)

Do not attempt to install this product on any vehicle other than the one it is designed for and listed above!

PACKING LIST

<u>QTY</u>	<u>PARTS DESCRIPTION</u>	<u>QTY</u>	<u>PARTS DESCRIPTION</u>
1	P200 PLUG KIT		3094P PASSENGER BRUSH GUARD
4	3/8" X 1" BUTTON HEAD BOLTS		3094D DRIVER BRUSH GUARD
4	3/8" X 1" HEX BOLTS		C2P PASSENGER HEAD LIGHT PROTECTOR
4	3/8" HEX NUTS		C2D DRIVER HEAD LIGHT PROTECTOR
4	3/8" LOCK WASHERS		TT3093 2" X 28 5/8" TOP TUBE
			CP3003 28 5/8" CENTER PLATE
			ST3093 3" X 28 5/8" BOTTOM STEP TUBE

ASSEMBLY INSTRUCTIONS

READ THE ASSEMBLY AND INSTALLATION INSTRUCTIONS COMPLETELY BEFORE YOU BEGIN.

STEP 1. BEGIN BY LAYING THE COMPONENTS OUT ON A PROTECTIVE SURFACE.

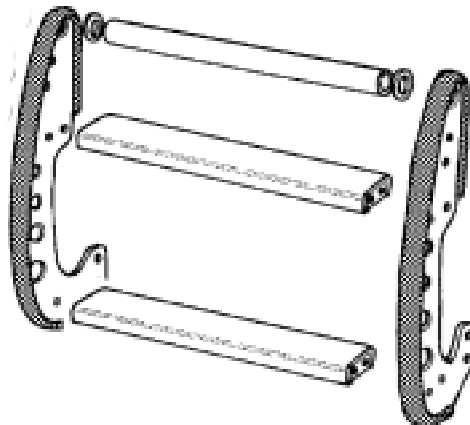
STEP 2. PLACE CENTER GUARD SIDE PLATES ON A FLAT SURFACE FACE DOWN.

STEP 3. INSTALL THE TUBE CONNECTORS FROM THE P200 PLUG KIT INTO THE TOP TUBE.

STEP 4. ATTACH BOTTOM STEP TUBE TO INSIDE OF GRILLE GUARD SIDE PLATES USING 3/8 x 1" BUTTON HEAD BOLTS. DO NOT SECURE.

STEP 5. POSITION CENTER PLATE BETWEEN SIDE PLATES, ATTACH CENTER PLATE TO SIDE PLATES USING 3/8 x 1" HEX BOLTS, LOCK WASHERS AND HEX NUTS.

STEP 6. ALIGN GRILLE AND SECURE ALL BOLTS AND NUTS.





3000 SERIES STEPGUARD

COMPLETE GRILLE & BRUSH GUARD INSTALLATION INSTRUCTIONS

PART NO. 3093B & 3093C 00-06 CHEVY TAHOE, SUBURBAN 1500 2/4WD
99-02 CHEVY SILVERADO 1500 P/U 2/4WD (ALL MODELS)

Do not attempt to install this product on any vehicle other than the one it is designed for and listed above!

PACKING LIST

<u>QTY</u>	<u>PART DESCRIPTION</u>	<u>QTY</u>	<u>PART DESCRIPTION</u>
2	7/16" x 1" HEX BOLTS	2	1037A CENTER PLATE BRACKETS
2	7/16" HEX NUTS	1	1037BD DRIVER SIDE FRAME BRACKET
6	3/8 x 1" BUTTON HEAD BOLT	1	1037BP PASSENGER SIDE FRAME BRACKET
2	3/8 x 1" HEX BOLTS	1	1037CD DRIVER SIDE FRAME BRACKET
8	3/8" FLAT WASHERS	1	1037CP PASSENGER SIDE FRAME BRACKET
8	3/8" LOCK WASHERS		
6	3/8" HEX NUTS		
4	7/16" FLAT WASHERS		

INSTALLATION INSTRUCTIONS

READ THE ASSEMBLY AND INSTALLATION INSTRUCTIONS COMPLETELY BEFORE YOU BEGIN.

STEP 1. LOCATE THE PASSENGER SIDE TOW HOOK MOUNTING BOLTS. REMOVE THE BOLT FROM THE BOTTOM AND THE HEX NUT FROM THE BOLT THAT GOES TROUGH THE FRAME.

STEP 2. POSITION 1037CP FRAME BRACKET OVER THE SHANK OF THE BOLT AND ATTACH THE BRACKET TO THE BOTTOM AND THE SIDE OD THE FRAME USING THE BOLT AND NUT REMOVED IN STEP #1 AS SHOWN IN DIAGRAM . DO NOT TIGHTEN.

STEP 3. POSITION AND ATTACH 1037BP FRAME BRACKET TO HOLE IN FRAME USING 7/16" HEX BOLT, FLAT WASHERS AND HEX NUTS AS SHOWN IN DIAGRAM. DO NOT TIGHTEN.

STEP 4. POSITION 1037A CENTER PLATE BRACKET BETWEEN THE GRILLE AND BUMPER AND ATTACH TO THE TOP OF 1037BP FRAME BRACKET USING 3/8 x 1" HEX BOLT, LOCK WASHER AND FLAT WASHER AS SHOWN IN DIAGRAM. DO NOT TIGHTEN.

STEP 5. REPEAT THE ABOVE STEPS FOR THE DRIVER SIDE BRACKETS.

STEP 6. ATTACH THE GRILLE AND BRUSH GUARD ASSEMBLY TO OUTSIDE OF THE FRAME BRACKETS AND TO THE CENTER PLATE BRACKETS USING 3/8 x 1" BUTTON HEAD BOLTS, LOCK WASHERS, FLAT WASHERS AND HEX NUTS AS SHOWN IN DIAGRAM.

