

INSTALLATION INSTRUCTIONS

A type MAIN BAR

90001, 91001, 91501, 92001, 93001, 94001, 95001, 96001, 97001 y 98001
PS / B / C

Parts List:

- | | |
|--------------------------------|--------------------------------|
| a) 1- LEG Driver side | i) 4- Plastic cover |
| b) 1- LEG Passenger side | 4- 3/8 x 5" Carriage bolt |
| c) 1- Cross Bar | 8- 3/8 x 1 1/2" Flat washer |
| d) 2- Mounting plate | 8- 3/8" Nut |
| e) 2- Tube spacer | 8- 3/8 x 1 1/2" Carriage bolt |
| (1) Hardware kit includes: | 2- 3/8 x 1 1/2" Flat head bolt |
| f) 8- Plastic flat washer | 2- 3/8x5 1/2x2" Hex head bolt |
| g) 2- Round plastic gasket | 2- 3/8" Flat washer |
| h) 2- Rectangle plastic gasket | 2- White plastic washer |

Not Includes:

- B type Main bar
Kicker

GO RHINO®

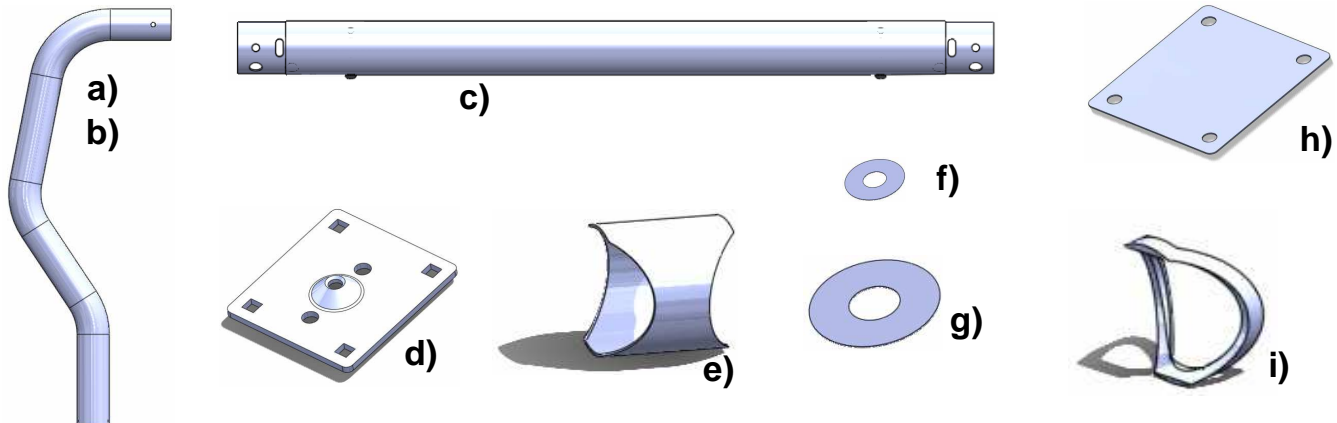
Required tools:

- | | | |
|--------------------|------------|--------|
| 9/16" Wrench | Hand drill | Pencil |
| 7/32" Allen wrench | 7/16" Bit | |

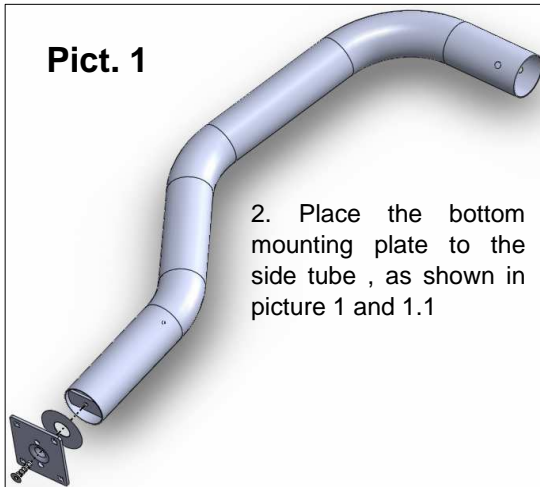
Instructions:

Aprox. Installation time: 50 min.

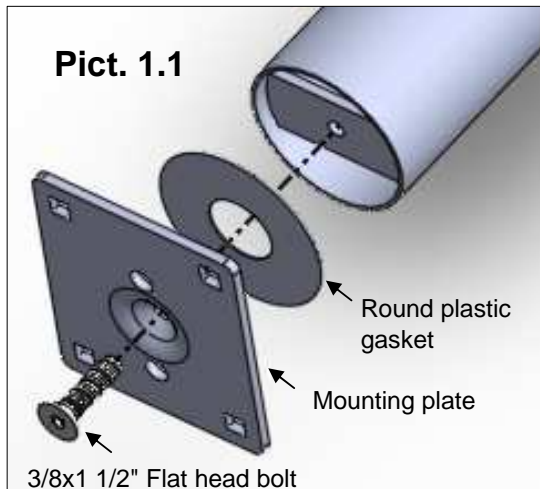
1. Read carefully and understand instructions before beginning installation. If you can not find any listed part, please stop installation and call to your distributor to get the missing parts, **on the last page mentions Main Bar B and Kicker, these accessories are sold separately.**



Pict. 1



Pict. 1.1



Cleaning and care instructions:

Keep your product clean. Do not use abrasive cleaners or polish. We recommend only non-abrasive automotive wax such as pure carnauba to avoid scratches or rust.

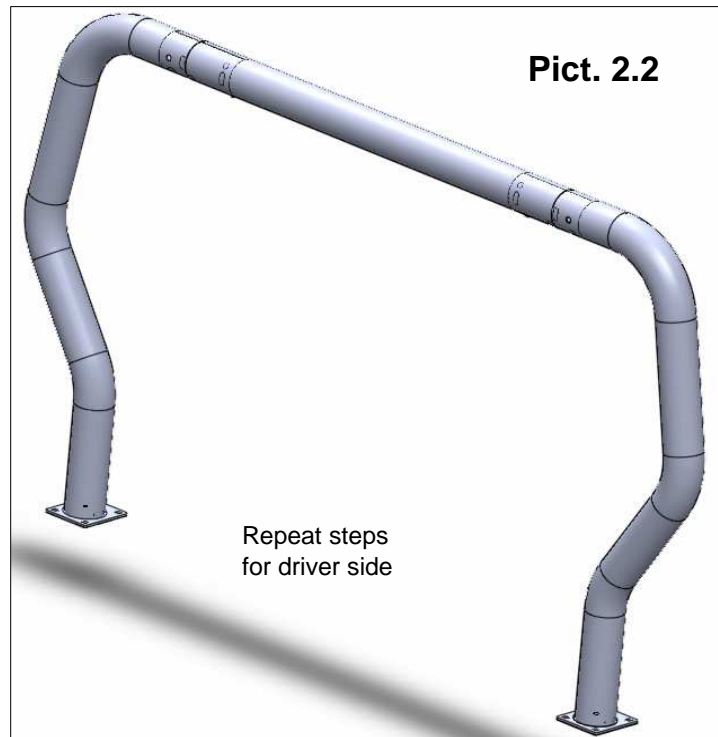
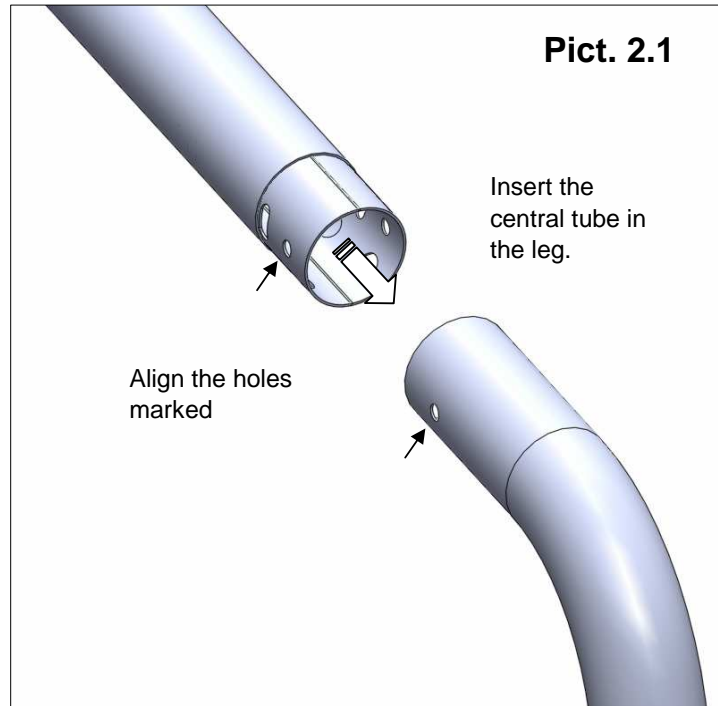
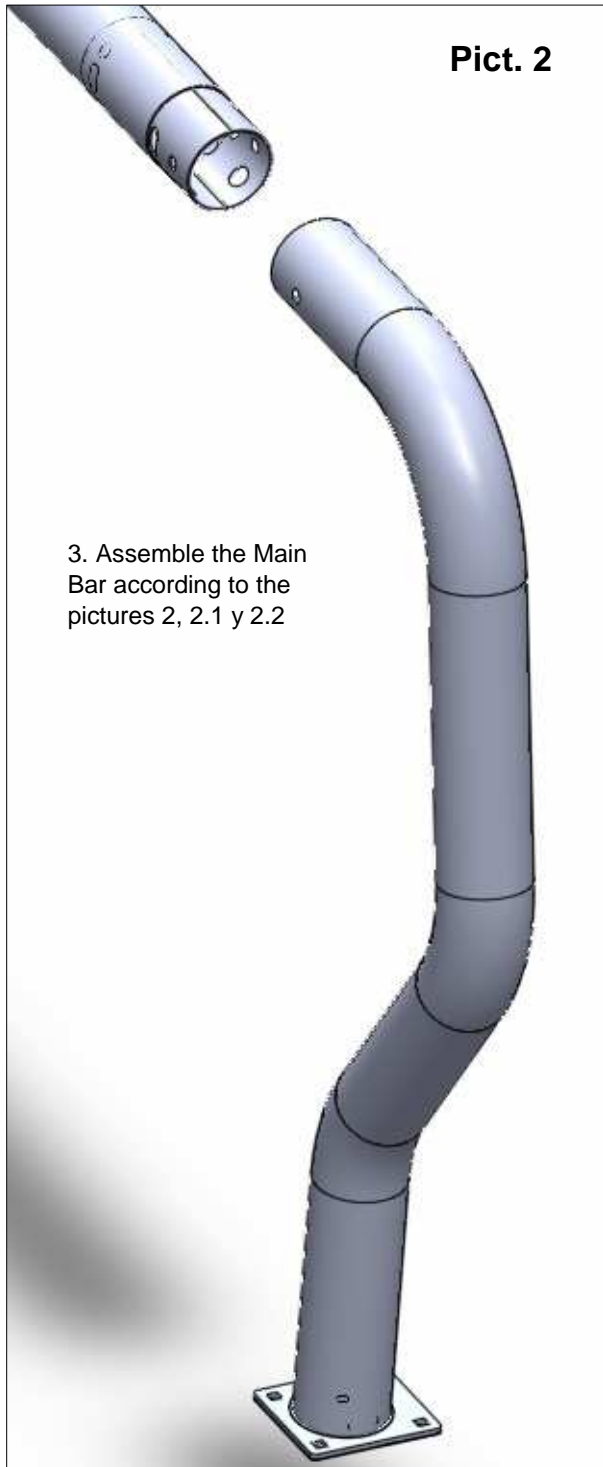
Design:

Quality:

INSTALLATION INSTRUCTIONS

A type MAIN BAR

90001, 91001, 91501, 92001, 93001, 94001, 95001, 96001, 97001 y 98001
PS / B / C



Cleaning and care instructions:

Keep your product clean. Do not use abrasive cleaners or polish. We recommend only non-abrasive automotive wax such as pure carnauba to avoid scratches or rust.

Design:

Quality:

INSTALLATION INSTRUCTIONS

A type MAIN BAR

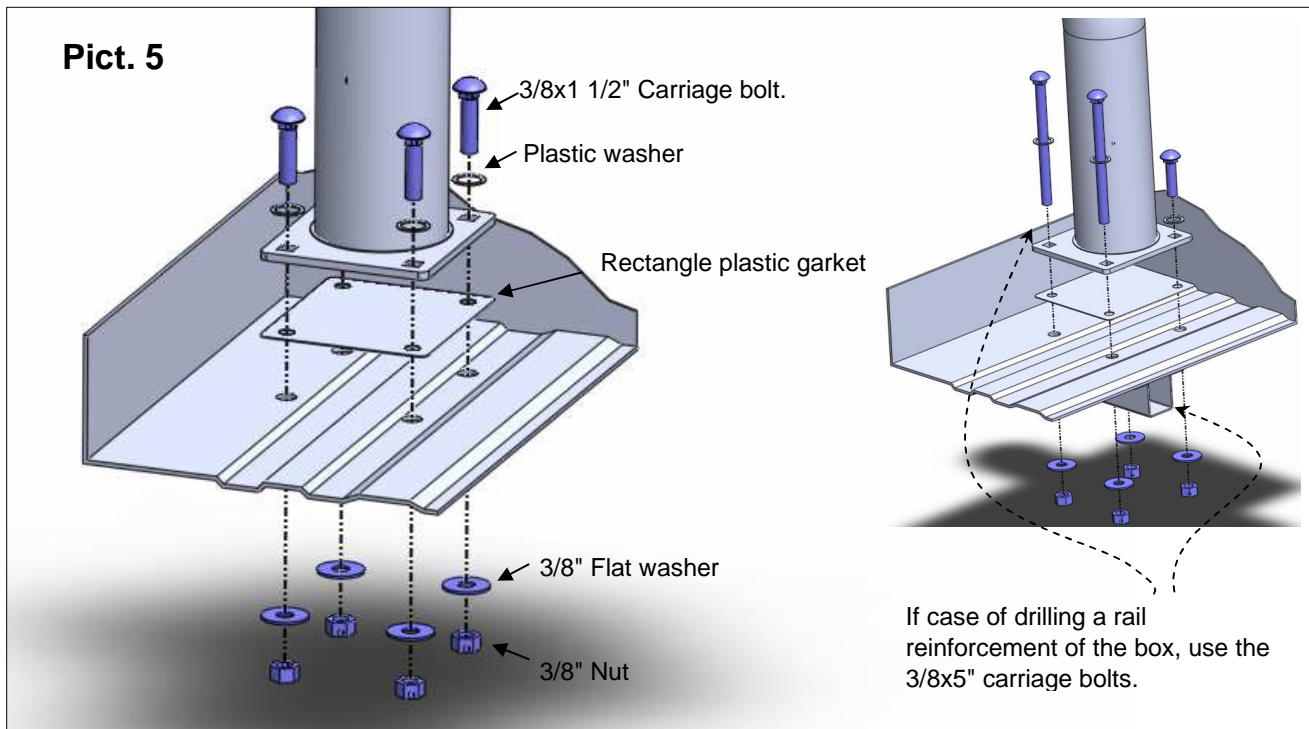
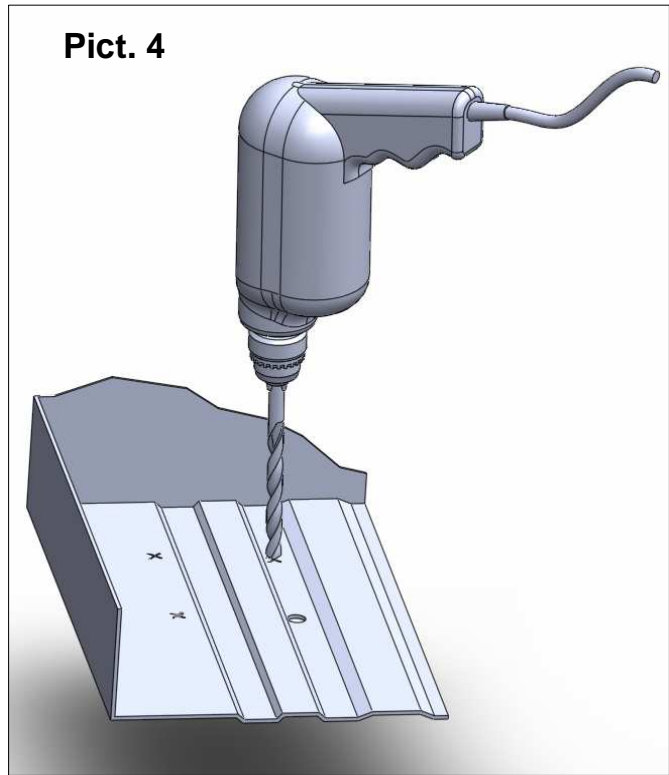
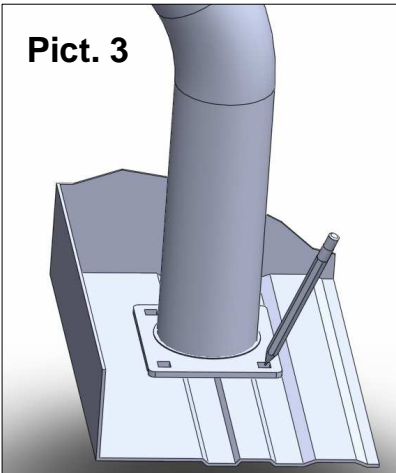
90001, 91001, 91501, 92001, 93001, 94001, 95001, 96001, 97001 y 98001

PS / B / C

3. Place the frame on the floor of the box, with a pencil mark the locations. to set main bar on both sides of the truck pict 3

4. Remove the Main bar and drill 7/16" holes pict 4

5. Relocate the Main bar, and attach it to the floor of the box. Pict 5



Cleaning and care instructions:

Keep your product clean. Do not use abrasive cleaners or polish. We recommend only non-abrasive automotive wax such as pure carnauba to avoid scratches or rust.

Design:

Quality:

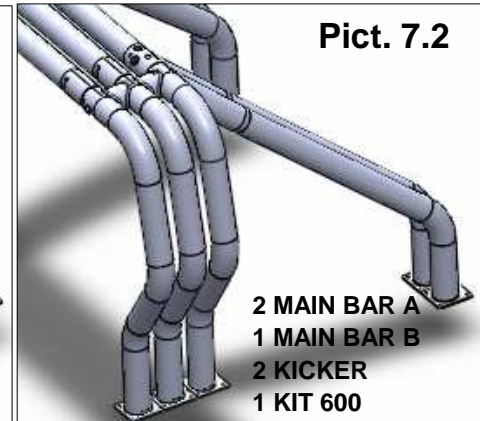
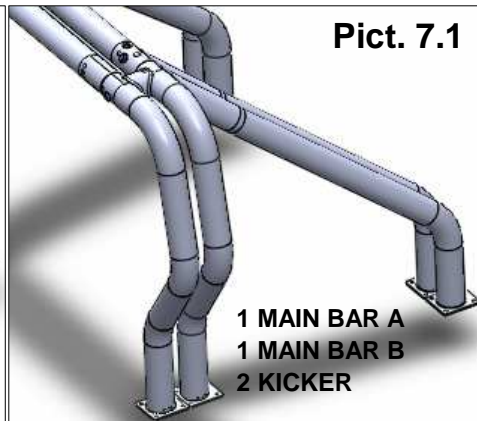
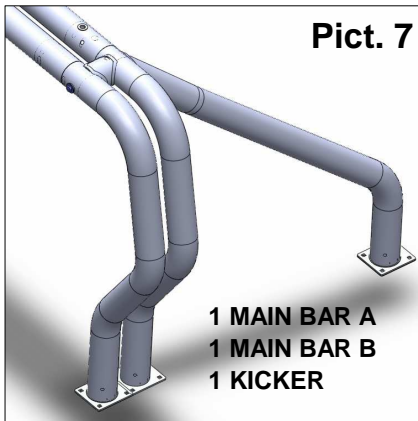
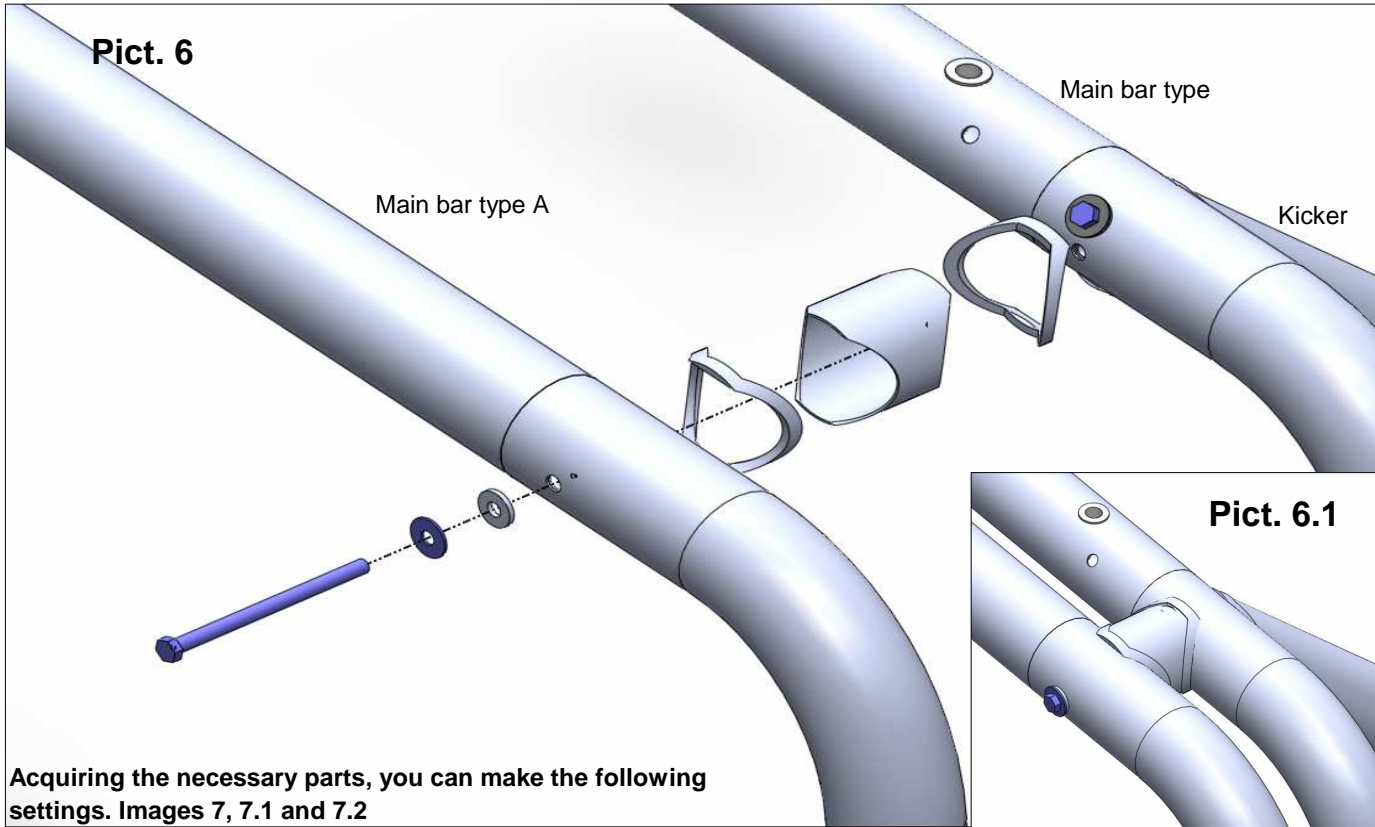
INSTALLATION INSTRUCTIONS

A type MAIN BAR

90001, 91001, 91501, 92001, 93001, 94001, 95001, 96001, 97001 y 98001
PS / B / C

6. Follow the instructions contained in the B Bar B to assemble, and to keep the armed continue with step 7.

7. 6 and 6.1 The image shows you how to assemble your Bed Bar with a Type A Type B



8. Align Bed Bar, and then tighten all bolts, from bottom to up.

9. Periodically it may need a bolts re-tighten.

10. Fill out the warranty card and place it inside your vehicle's glove box.

Cleaning and care instructions:

Keep your product clean. Do not use abrasive cleaners or polish. We recommend only non-abrasive automotive wax such as pure carnauba to avoid scratches or rust.

Design:

Quality:

INSTALLATION INSTRUCTIONS

MAIN BAR TIPO B

90002, 91002, 91502, 92002, 93002, 94002, 95002, 96002, 97002 y 98002

PS/B/C

Parts List:

- a) 1- Driver Leg
- b) 1- Passenger Leg
- c) 1- Cross bar
- d) 2- Mounting plate
- (1) **Hardware kit includes:**
- e) 8- Small plastic washer
- f) 2- Round plastic gasket
- g) 2- Rectangle plastic gasket
- h) 2- 7/16" X 1 1/8 Rubber cap

- i) 4- 7/16" Plastic cap
- 8- 3/8x1 1/2" Flat washer
- 8- 3/8" Hex nut
- 4- 3/8x 1 1/2" Carriage bolt
- 4- 3/8x 5" Carriage bolt
- 2- White plastic washer
- 2- 3/8x1" Hex head bolt
- 2- 3/8x1 1/2" Flat head bolt
- 2- 3/8" Flat washer

Not Includes:

Kicker

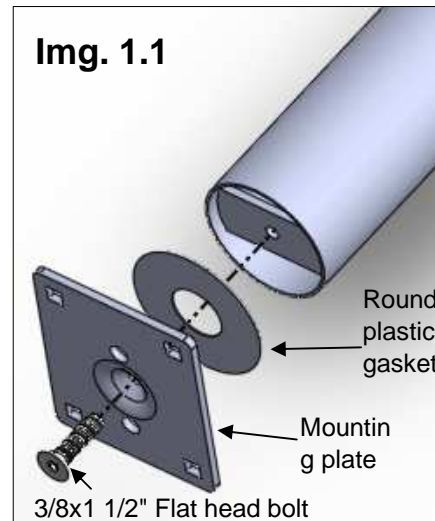
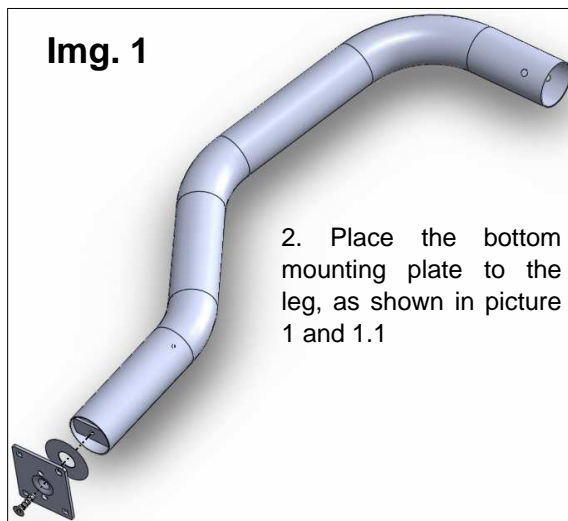
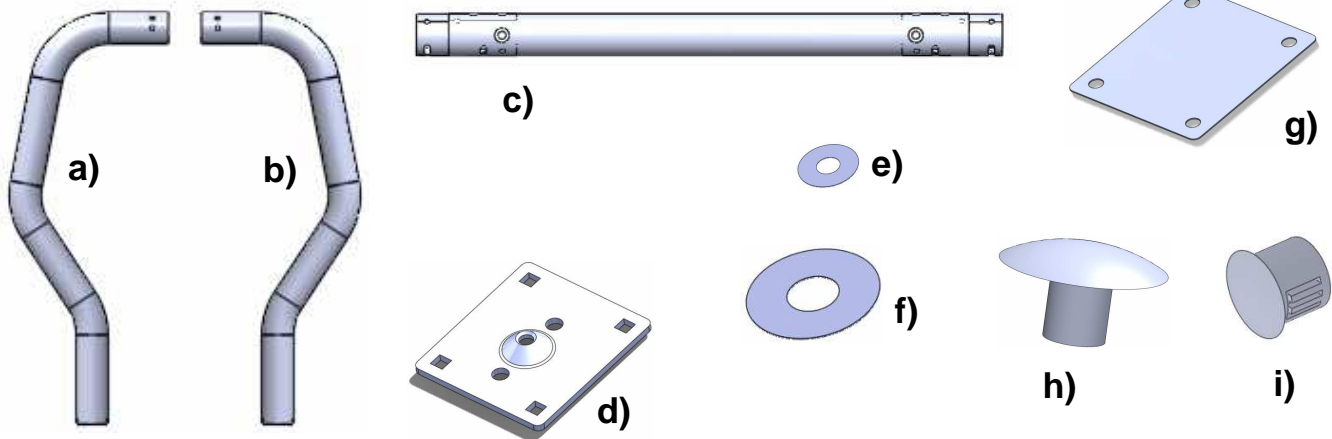
Required tools:

9/16" Wrench Hand drill Pencil
7/32" allen Wrench 7/16" Bit

Instructions:

Aprox. Installation time: 50 min.

1. Read carefully and understand instructions before beginning installation. If you can not find any listed part, please stop installation and call to your distributor to get the missing parts.



Cleaning and care instructions:

Design:

Quality:

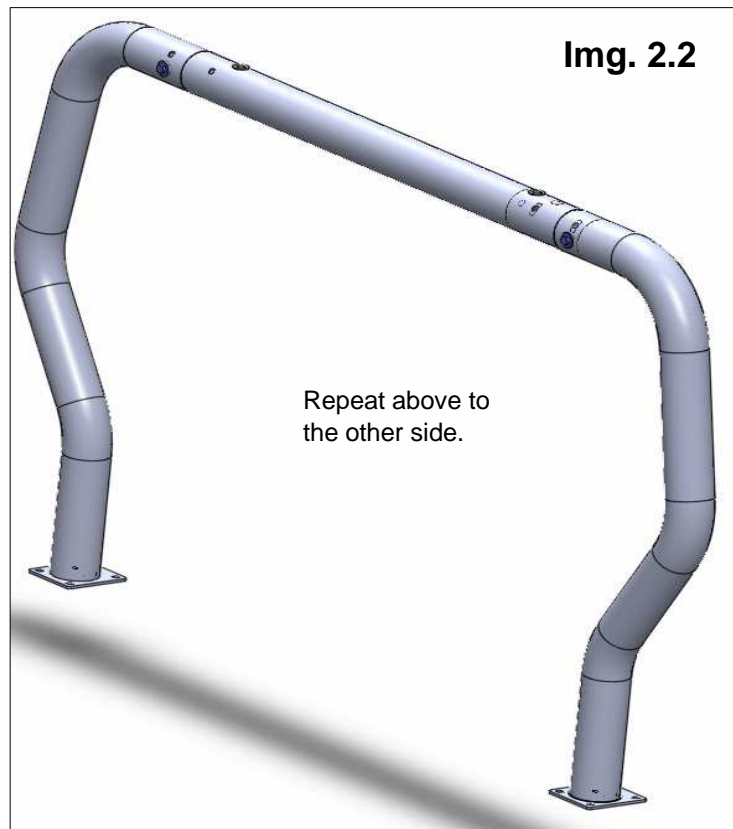
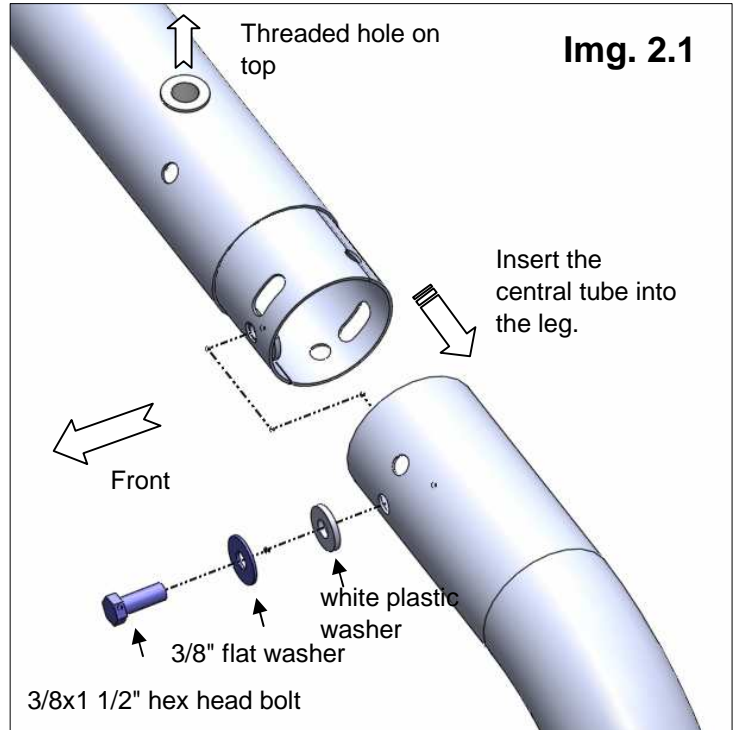
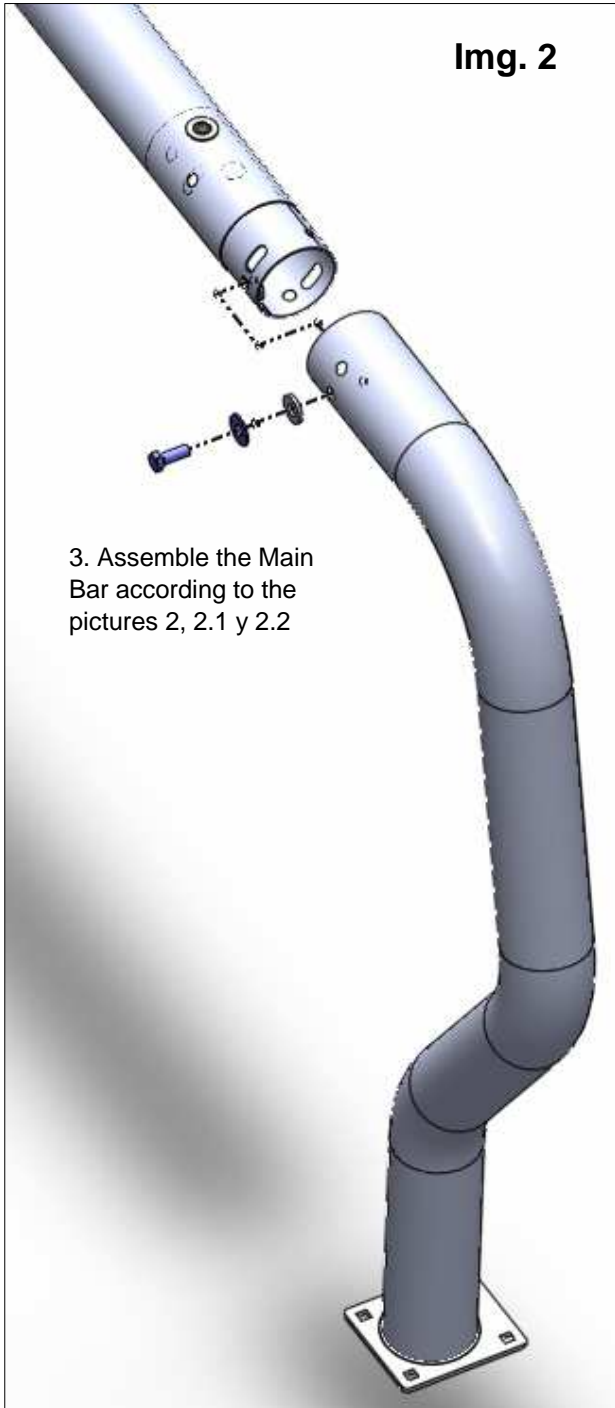
Keep your product clean. Do not use abrasive cleaners or polish. We recommend only non-abrasive automotive wax such as pure carnauba to avoid scratches or rust.

INSTALLATION INSTRUCTIONS

MAIN BAR TIPO B

90002, 91002, 91502, 92002, 93002, 94002, 95002, 96002, 97002 y 98002

PS/B/C



Cleaning and care instructions:

Keep your product clean. Do not use abrasive cleaners or polish. We recommend only non-abrasive automotive wax such as pure carnauba to avoid scratches or rust.

Design:

Quality:

INSTALLATION INSTRUCTIONS

MAIN BAR TIPO B

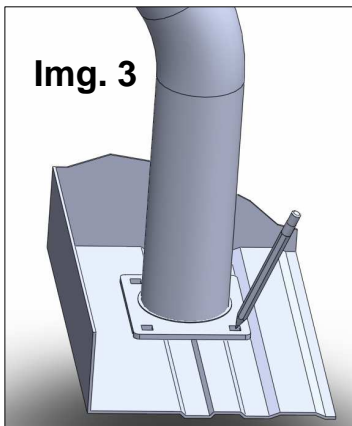
90002, 91002, 91502, 92002, 93002, 94002, 95002, 96002, 97002 y 98002

PS / B / C

4. Place bar assembly onto the truck bed floor and mark with a pencil the holes to drill at driver and passenger side. Image 3.

5. Proceed to drill where the marks were made. Image 4.

6. Place the bar assembly and secure to the vehicle using 3/8 x 1" carriage head bolt and corresponding hardware. Image 5

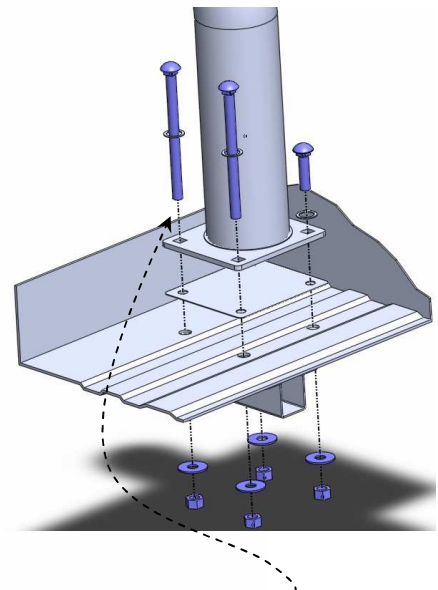
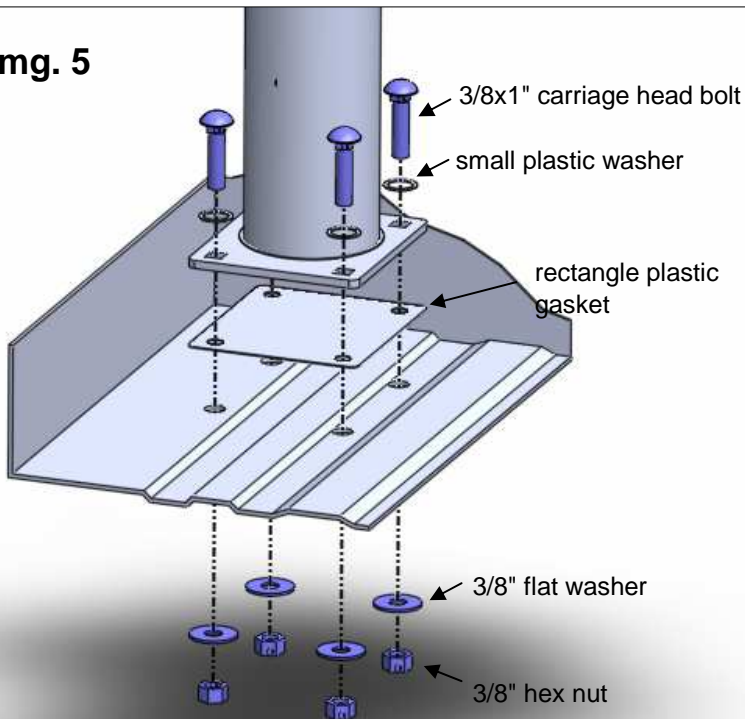


Img. 3



Img. 4

Img. 5



If yo drilled a truck bed rail, use a 3/8 x 5" carriage head bolt.

Cleaning and care instructions:

Keep your product clean. Do not use abrasive cleaners or polish. We recommend only non-abrasive automotive wax such as pure carnauba to avoid scratches or rust.

Design:

Quality:

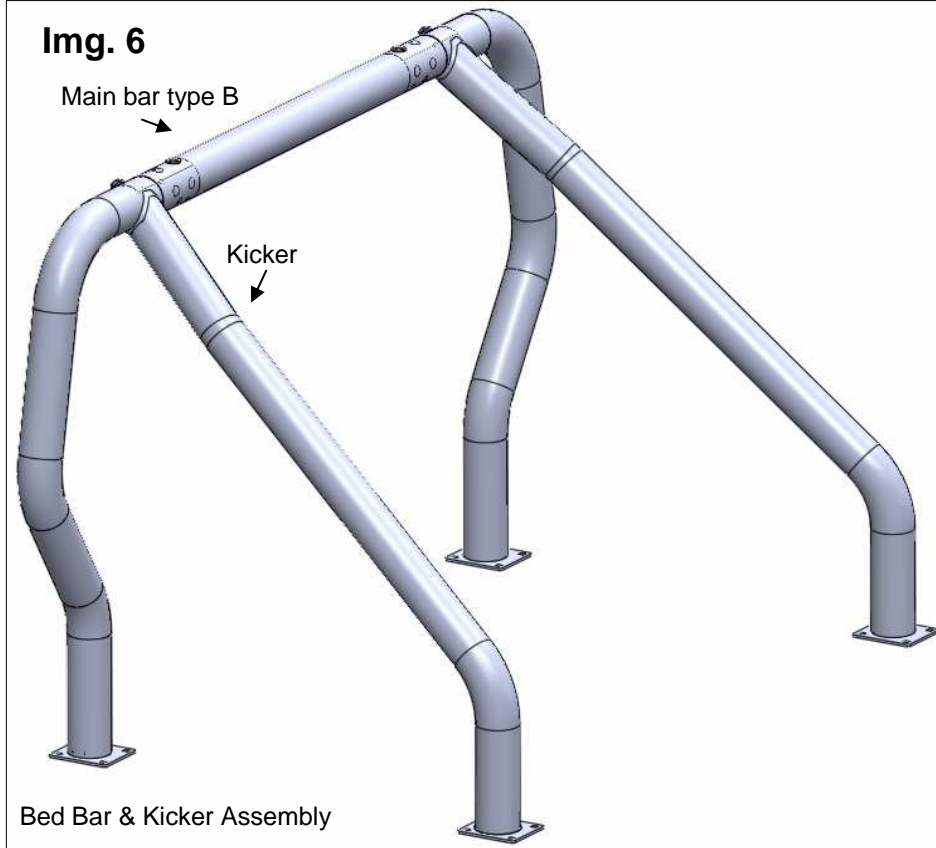
INSTALLATION INSTRUCTIONS

MAIN BAR TIPO B

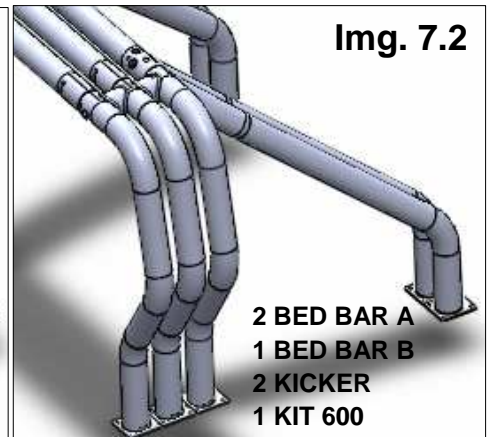
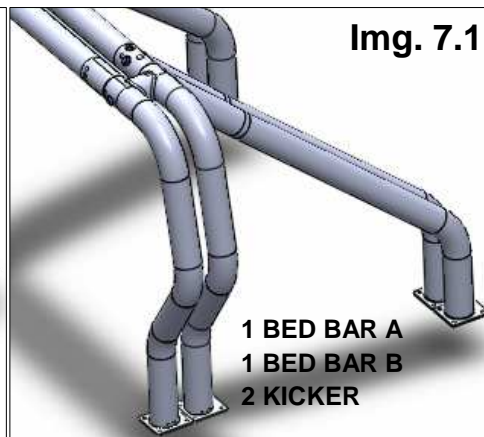
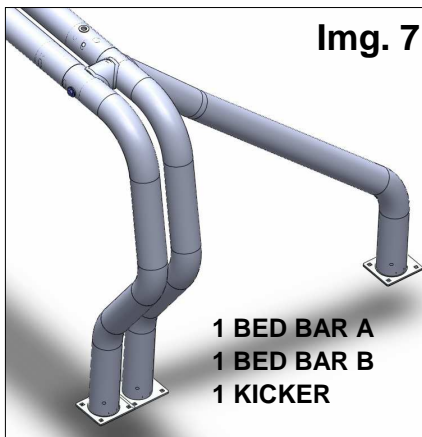
90002, 91002, 91502, 92002, 93002, 94002, 95002, 96002, 97002 y 98002

PS / B / C

Img. 6



Acquiring the necessary parts, you can make the following settings. Images 7, 7.1 y 7.2



8. Make any final adjustment to Bed Bar & Kicker alignment and then tighten all bolts from bottom to up.

9. Periodically it may need a bolts re-tighten.

10. Fill out the warranty card and place it inside your vehicle glove box

Cleaning and care instructions:

Design:

Quality:

Keep your product clean. Do not use abrasive cleaners or polish. We recommend only non-abrasive automotive wax such as pure carnauba to avoid scratches or rust.

INSTALLATION INSTRUCTIONS

KICKER

9370, 9390, 9516, 9519, 9520, 9530, 9546, 9552, 9558, 9560 and 9590

PS / B / C

Parts List:

- a) 1- Kicker Driver side
- b) 1- Kicker Passenger side
- c) 2- Mounting plate
- (1) Hardware kit includes:**
- d) 8- Plastic flat washer
- e) 2- Round plastic gasket
- f) 2- Square plastic gasket
- g) 4- Plastic tube cover

- 8- 3/8 x 1 1/2" Flat washer
- 8- 3/8" Nut
- 8- 3/8 x 1 1/2" Carriage bolt
- 2- 3/8 x 1 1/2" Flat head bolt
- 2- 3/8x5 1/2x2" Hex bolt
- 2- 3/8" Flat washer
- 2- White plastic washer

Not Includes:

B type main bar

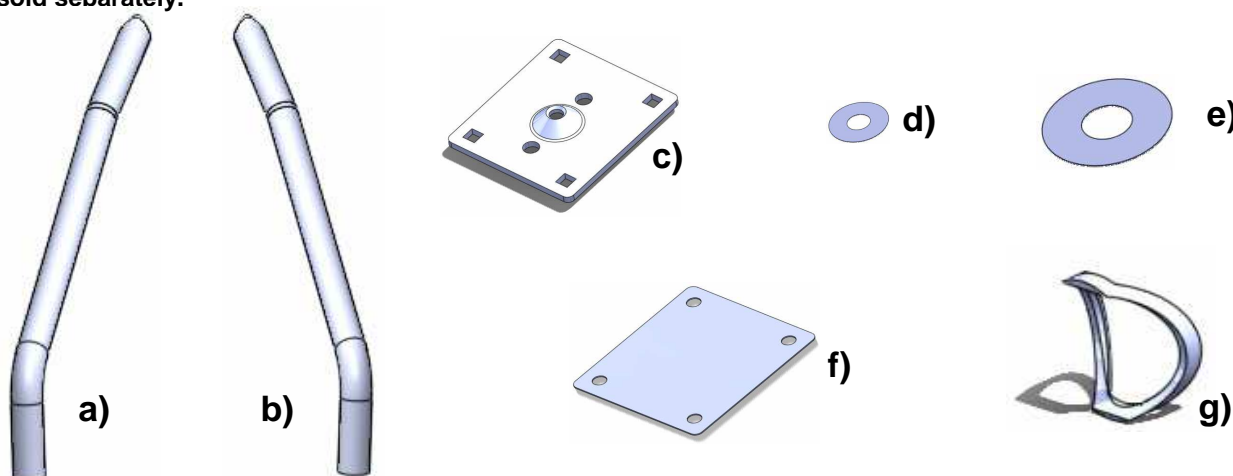
Required tools:

- | | | |
|--------------------|------------|--------|
| 9/16" Wrench | Hand drill | Pencil |
| 7/32" Allen wrench | 7/16" Bit | |

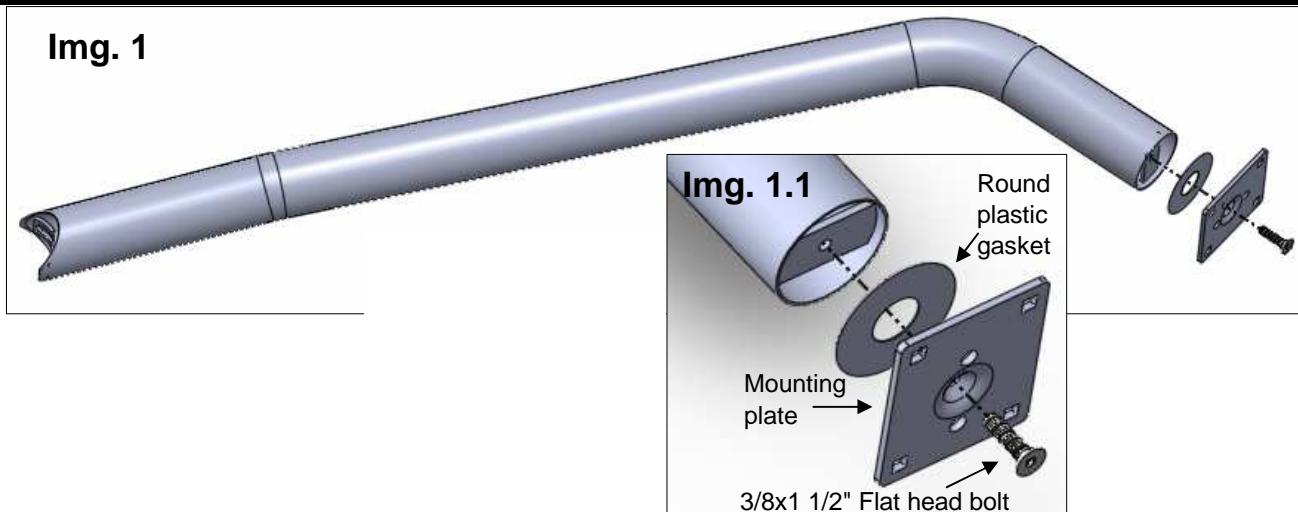
Instructions:

Aprox. Installation time: 50 min.

1. Read carefully and understand instructions before beginning installation. If you can not find any listed part, please stop installation and call to your distributor to get the missing parts, **on the last page mentions Bed Bar B, these accessories are sold separately.**



Img. 1



Cleaning and care instructions:

Keep your product clean. Do not use abrasive cleaners or polish. We recommend only non-abrasive automotive wax such as pure carnauba to avoid scratches or rust.

Design:

Quality:

INSTALLATION INSTRUCTIONS

KICKER

9370, 9390, 9516, 9519, 9520, 9530, 9546, 9552, 9558, 9560 and 9590

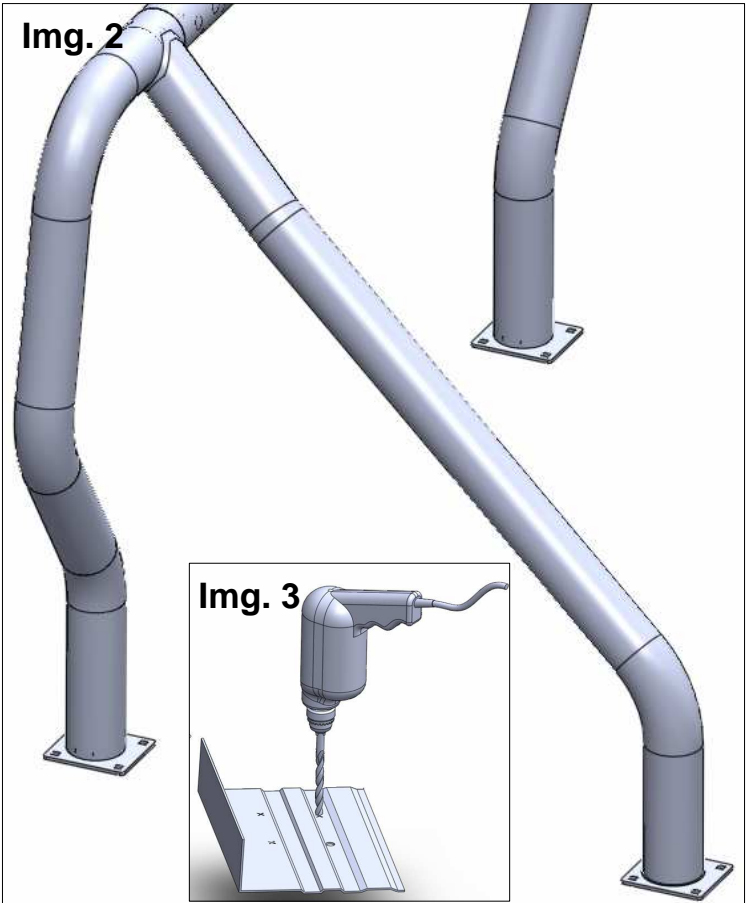
PS / B / C

3. Place the kicker to the main bar, mark with a pencil the 4 points to be drilled. See Image 2 and 2.1

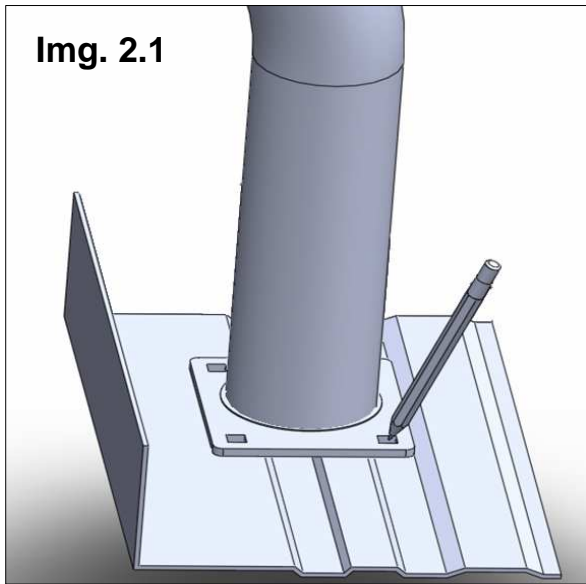
4. Remove the part to drill with a 7/16" bit. See Image 3

5. Place again the Kicker and attach to the main bar and the floor of the box. See image 4 y 4.1

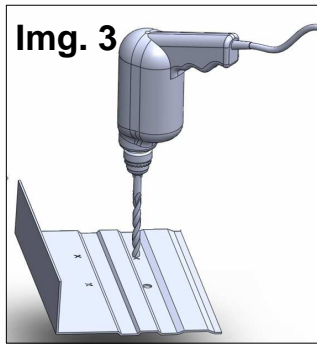
Img. 2



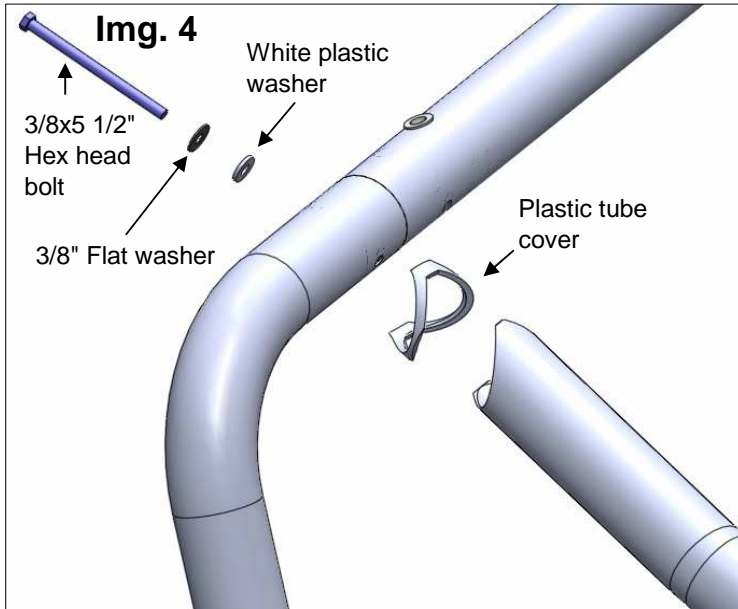
Img. 2.1



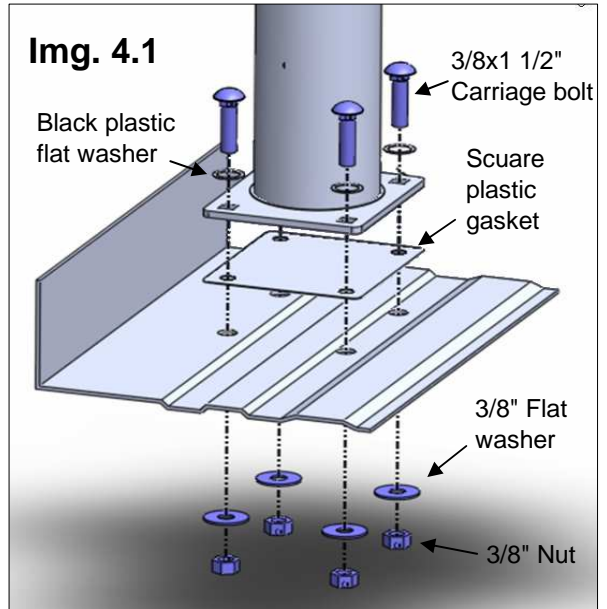
Img. 3



Img. 4



Img. 4.1



Cleaning and care instructions:

Keep your product clean. Do not use abrasive cleaners or polish. We recommend only non-abrasive automotive wax such as pure carnauba to avoid scratches or rust.

Design:

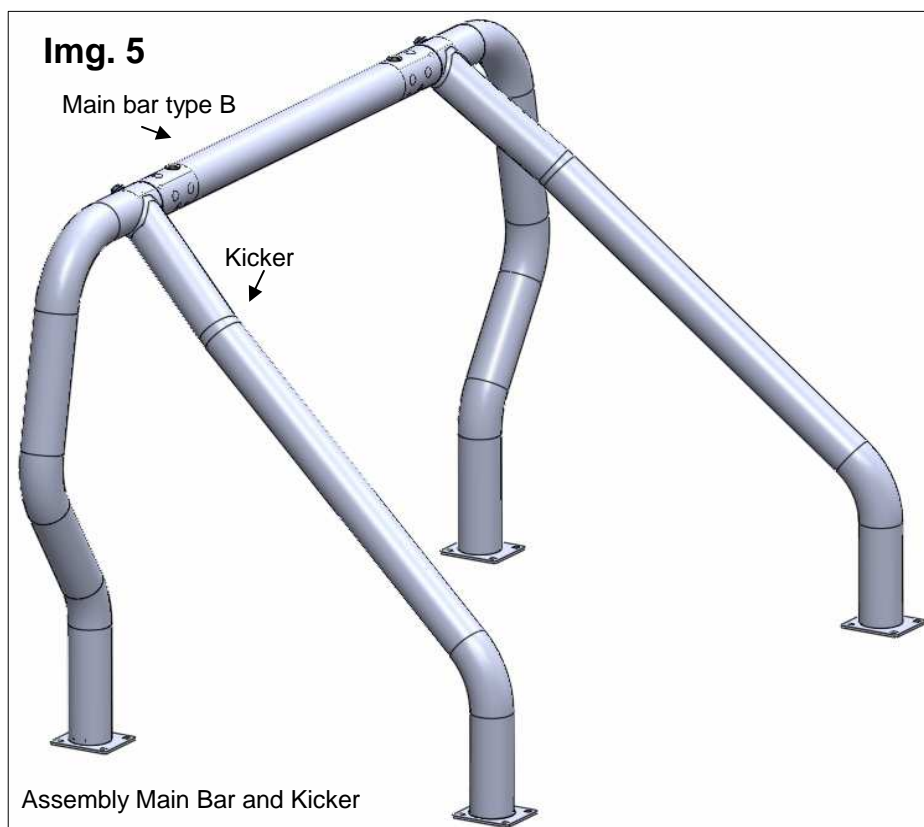
Quality:

INSTALLATION INSTRUCTIONS

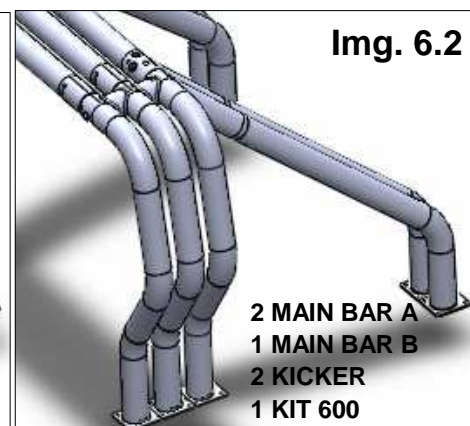
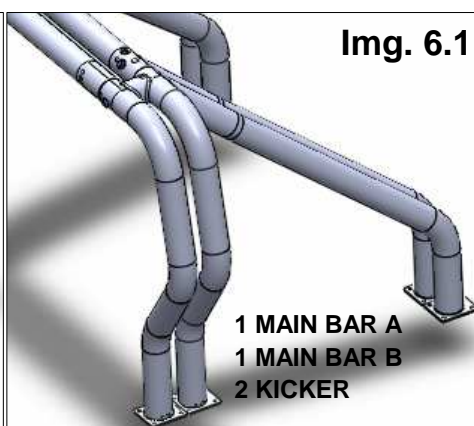
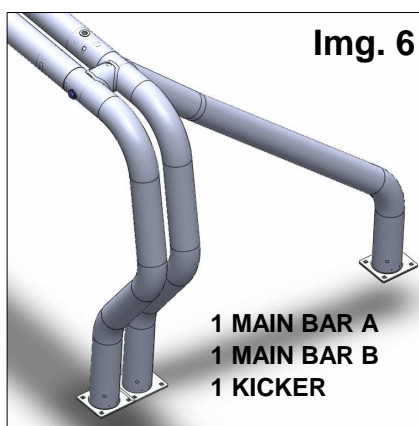
KICKER

9370, 9390, 9516, 9519, 9520, 9530, 9546, 9552, 9558, 9560 and 9590

PS / B / C



Acquiring the necessary parts, you can make the following settings. Images 6, 6.1 and 6.2



8. Align Bed Bar, and then tighten all bolts, from bottom to up.

9. Periodically it may need a bolts re-tighten.

10. Fill the warranty card and place it inside your vehicle's glove box.

Cleaning and care instructions:

Keep your product clean. Do not use abrasive cleaners or polish. We recommend only non-abrasive automotive wax such as pure carnauba to avoid scratches or rust.

Design:

Quality: