



Installation Instructions

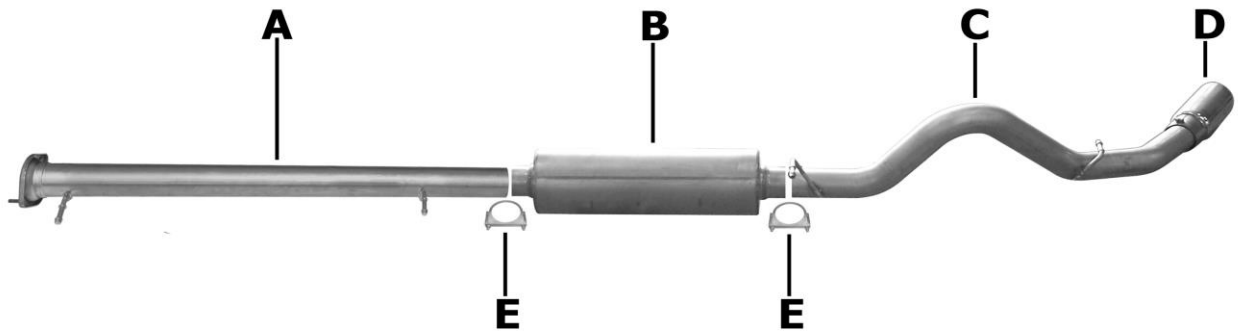
Cat-Back Single Exhaust

Chevrolet Silverado 2500HD/3500HD Truck 6.0L, 2/4wd

GMC Sierra 2500HD/3500HD Truck 6.0L, 2/4wd

Crew Cab, Long Bed

Part #616515B



ITEM	PART	QUANTITY	DESCRIPTION
A	1401-701150S	1	3.5" Stainless Headpipe w/ welded flange
B	788707S	1	Stainless Superflow SFT Muffler
C	1408-701153S	1	3.5" Stainless Tailpipe
D	500380-B	1	Black Ceramic Tip
E	4170	2	3.5" Clamp

Installation Instructions #616515B

When installing this exhaust system make sure to use proper safety precautions. Use jack stands when working under the vehicle, set parking brake, block tires and use safety glasses and gloves. Allow exhaust to cool before attempting installation. Severe injury or burns could occur if safety measures are not taken.

SUGGESTED TOOLS: 1/2", 9/16", 15mm wrenches & sockets, WD-40, hacksaw, jack stands

1. Disconnect the negative battery cable before removal of OEM exhaust. This will allow the computer to reset and recognize the new exhaust. Lay out the exhaust on the floor so it looks like the drawing and compare parts with manual.



2. To remove your stock exhaust, unbolt the 2-bolt flange located in front of the muffler. Disengage the welded hangers from the rubber grommets. Use WD-40 to aid in this process. Do not remove or damage the rubber grommets as you will reuse them to mount your new system. Now, cut off tailpipe and remove exhaust. Do not throw away stock hardware.



6. Slide the over axle tailpipe #C into the muffler 1.5-2". Use clamp #E to secure tailpipe to muffler. Do not tighten. Insert welded hangers into rubber grommets.



3. Install headpipe #A onto your existing stock front headpipe using stock hardware to secure pipes together. Do not tighten. Insert welded hangers into rubber grommets.



8. Install stainless steel tip. Clamp down. When you have everything in place, firmly tighten all bolts and clamps down securely. Use stainless steel cleaner and a Scotch Brite pad weekly to prevent tip from discoloration. Inspect all fasteners after 25-50 miles of operation and re-tighten as necessary.



4. Slide muffler #B over headpipe 1.5-2" with the louvers facing towards the converter. Use a jack stand to support the muffler. Use clamp #E to secure the muffler to the headpipe. Do not tighten. Muffler inlet is looking into the louvers.



GIBSON EXHAUST systems are designed on a factory stock vehicle. Any aftermarket products installed could increase the sound levels of the exhaust. **Make sure there is a 1" clearance from ALL rubber brake lines, shock boots, lines, tires, etc. to prevent heat related damage or fire.**

When it comes to quality performance exhaust systems, Gibson is the brand you can depend on.