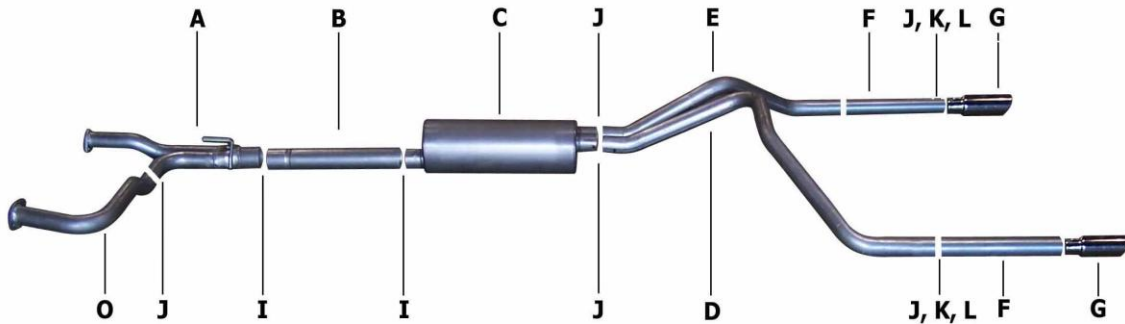




PERFORMANCE EXHAUST SYSTEMS

INSTRUCTION MANUAL
CAT-BACK SPLIT EXHAUST SYSTEM
NISSAN TITAN 5.6L V8
KING CAB & CREW CAB SHORT BED
PART # 8200



ITEM	PART #	QTY.	DESCRIPTION
A	700550	1	2-1/2" Y-PIPE W/ GP-110 FLANGE
B	700551	1	3" RESONATOR
C	758250	1	SUPERFLOW MUFFLER
D	700554	1	2-1/2" DRIVER SIDE TAILPIPE
E	700555	1	2-1/2" PASS. SIDE TAILPIPE
F	700346	2	2-1/2" EXIT PIPES
G	500374	2	3-1/2" STAINLESS TIPS
H	4322	1	BAND CLAMP
I	OHD300	2	3" CLAMP
J	5757	5	2 1/2" CLAMP
K	08269	2	10" HANGER
L	BO-1032	2	BOLT KIT FOR 10" HANGER
M	BO-1015	1	BOLT KIT FOR BAND CLAMP
N	ZIP	3	ZIP TIES
O	700550-1	1	2 1/2" Y-PIPE W/GP-110 FLANGE

EXHAUST INSTALLATION #8200

When installing this exhaust system make sure to use proper safety precautions. Use jack stands when under the truck, set parking brake, block tires and use safety glasses and gloves.

DO NOT WORK WITH HOT PIPES!

SUGGESTED TOOLS:

1/2", 9/16", 12MM/14MM/15MM Socket, WD-40, Jack Stand, Hacksaw or Sawzall



LAY OUT THE GIBSON EXHAUST ON THE FLOOR AND COMPARE PART #'S TO THE DRAWING. TO REMOVE YOUR FACTORY EXHAUST UN-BOLT YOUR TAILPIPE AT THE 2-BOLT FLANGE LOCATED BEHIND YOUR STOCK MUFFLER. USE WD-40 TO AID YOU IN REMOVAL OF HANGERS FROM RUBBER GROMMETS.



INSTALL BAND CLAMP # H ONTO MUFFLER, INSERT HANGER INTO RUBBER GROMMET, USE BOLT KIT PROVIDED, DO NOT TIGHTEN.



NEXT, UN-BOLT YOUR EXHAUST FROM THE 2-BOLT FLANGES LOCATED JUST BEHIND YOUR FACTORY CATALYTIC CONVERTERS, DO NOT DISCARD YOUR FACTORY GASKETS AND HARDWARE YOU WILL RE-USE IT.



ON THE DRIVERS SIDE MEASURE APPROX. 17" FROM THE REAR OF THE FRAME USE THIS 1" HOLE TO BOLT HANGER # K USING THE TOP HOLE ON HANGER & HARDWARE PROVIDED, REPEAT FOR PASSENGER SIDE.



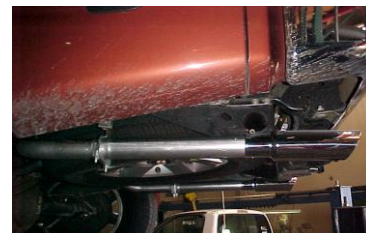
INSTALL Y-PIPE # A & O ONTO STOCK FLANGES USE YOUR STOCK HARDWARE TO SECURE INSERT WELDED HANGER INTO RUBBER GROMMET, DO NOT TIGHTEN. USE CLAMP # J TO SECURE PIPES TOGETHER. DO NOT TIGHTEN.



NEXT, INSTALL DRIVERS SIDE TAILPIPE # D INTO MUFFLER 1 1/2" -2". USE CLAMP # J TO SECURE PIPE INTO MUFFLER, DO NOT TIGHTEN. ROTATE PIPE UNTIL IT MAKES CONTACT WITH HANGER # K USE CLAMP # J TO HOLD PIPE UP. NEXT, INSTALL EXIT PIPES # F ONTO TAILPIPE, DO NOT TIGHTEN, REPEAT THIS STEP FOR THE PASS. SIDE, USING TAILPIPE # E.



NEXT, INSTALL RESONATOR # B 1 1/2"-2" ONTO Y-PIPE USE CLAMP # I TO SECURE PIPES TOGETHER, DO NOT TIGHTEN.



INSTALL YOUR STAINLESS TIP TO YOUR DESIRED LOOK. NOW GO BACK AND TIGHTEN ALL YOUR FLANGES, CLAMPS, ETC. STARTING FROM THE FRONT AND WORKING YOUR WAY BACK. TO CLEAN YOUR STAINLESS TIP USE A STAINLESS CLEANER AND A SCOTCH BRITE PAD.



INSTALL MUFFLER # C ONTO YOUR RESONATOR 1 1/2" -2". USE CLAMP # I TO SECURE MUFFLER TO THE PIPE, DO NOT TIGHTEN.



WE HAVE PROVIDED ZIP TIES, SO YOU CAN ZIP TIE BRAKE LINES, FUEL LINES, ETC AWAY FROM EXHAUST PIPES.