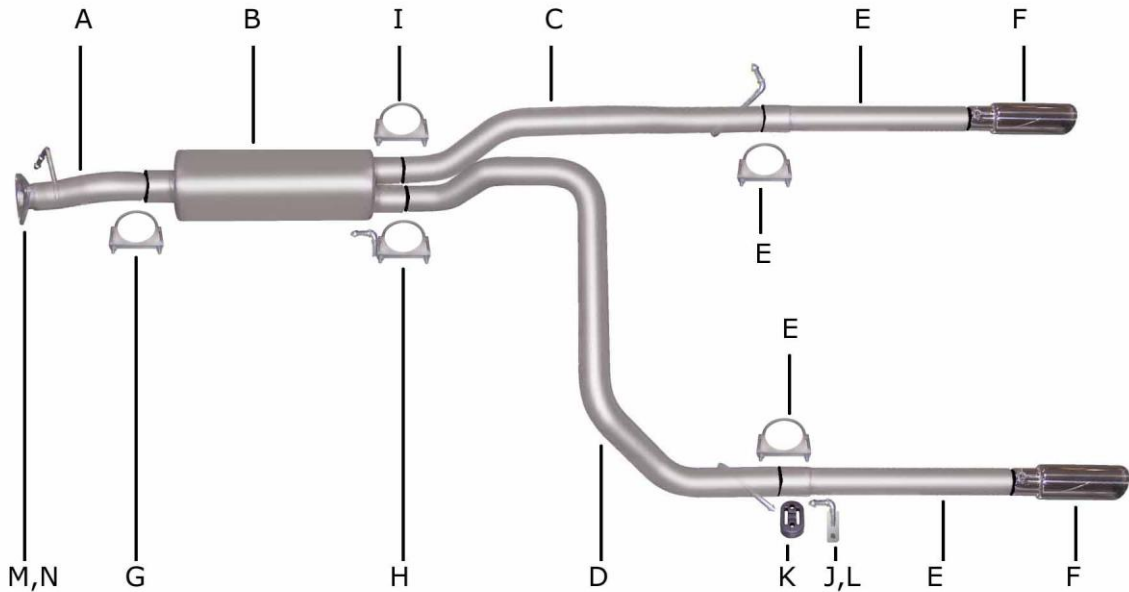




INSTRUCTION MANUAL
CAT-BACK STAINLESS
DUAL SPLIT REAR STAINLESS EXHAUST
Chevrolet Astro Van 4.3L V6 2/4 wd
PART # 65608



ITEM	PART #	QTY.	DESCRIPTION
A	948-700724S	1	3.00" Stainless Headpipe w/ welded hanger w/ GP-101 Flange
B	758219S	1	Stainless SuperFlow Muffler
C	949-700725S	1	2.50" S.S Passenger Side over-axle tailpipe w/ welded hanger
D	950-700726S	1	2.50" Stainless Driver Side over-axle w/ welded hanger
E	546-700346S	2	2.50" Stainless Exit pipe
F	500374	2	3.50" Stainless tip
G	OHD300	1	3.00" Clamp
H	4253	1	Rear muffler hanger clamp
I	5757	4	2.50" Clamp(s)
J	4254	1	Rear Tailpipe hanger
K	4240	1	Rubber grommet
L	BO-1047	1	Bolt kit for rear tailpipe hanger
M	BO-1048	1	Bolt kit for headpipe flange
N	9684	1	Flange Gasket

EXHAUST INSTALLATION #665608

WHEN INSTALLING THIS EXHAUST SYSTEM, MAKE SURE TO USE PROPER SAFETY PRECAUTIONS. USE JACK STANDS WHEN UNDER TRUCK, SET PARKING BRAKE, BLOCK TIRES, AND USE SAFETY GLASSES AND GLOVES. **DO NOT WORK WITH HOT PIPES!**

SUGGESTED TOOLS:

9/16" SOCKET, 15MM SOCKET, 1/2" WRENCH, 1/2" SOCKET, JACK STAND, HACKSAW, WD-40

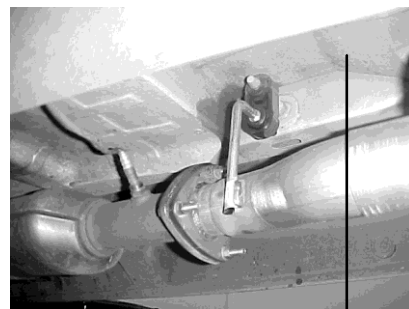
LAY OUT THE GIBSON EXHAUST SO IT LOOKS LIKE THE DRAWING AND COMPARE THE PART NUMBERS.



Lay out the exhaust on the floor so it looks like the drawing and compare the parts with the manual. To remove the stock exhaust, un-bolt it from the 3-bolt flange located in front of the muffler. **NOTE: For an easy removal of the exhaust, cut the tailpipe off behind the muffler.** Leave all rubber grommets in place. Use WD-40 to aid in removal.



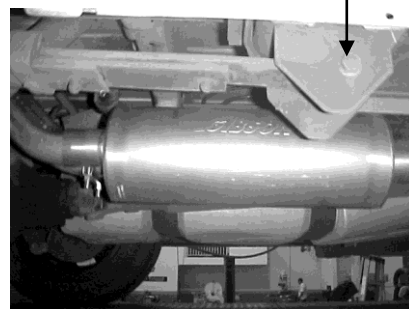
Install the Passenger side over-axle tailpipe # C to the muffler, 1-1/2" to 2". Insert welded hanger into rubber grommet. Use clamp # I secure the tailpipe to the muffler.



Install your head-pipe # A onto your existing stock flange, use your supplied hardware # N and gasket in the kit. Use a jack stand to support the converter. Insert the welded hanger into the rubber grommet.



Install tailpipe hanger #J on the frame, then measure 9" from the rear; you will see a 1" round hole use this to mount your hanger. Use the bolt kit and rubber grommet provided in your kit, # K & L



Install muffler #B onto head-pipe #A 1-1/2" to 2" with the louvers in the muffler facing towards the converter. Use a jack stand to support the muffler. Use Clamp #G to secure the muffler to the head-pipe. **Do Not Tighten at this Time!**



Install the Driver side over-axle tailpipe #D into the muffler 1-1/2" to 2". Then insert the welded hanger into the rubber grommet. Use clamp #H to secure it to the muffler. **Do Not Tighten at this Time!**



Install rear muffler hanger #H. Onto driver side outlet of the muffler, insert hanger into rubber grommet.



Next, install the exit pipes #E. Use clamps #I to secure them.



Install your Stainless Steel tips and clamp down. When you have everything in place *, firmly tighten all your hardware and clamps securely down. To clean your stainless steel tips, use a stainless cleaner and polish.