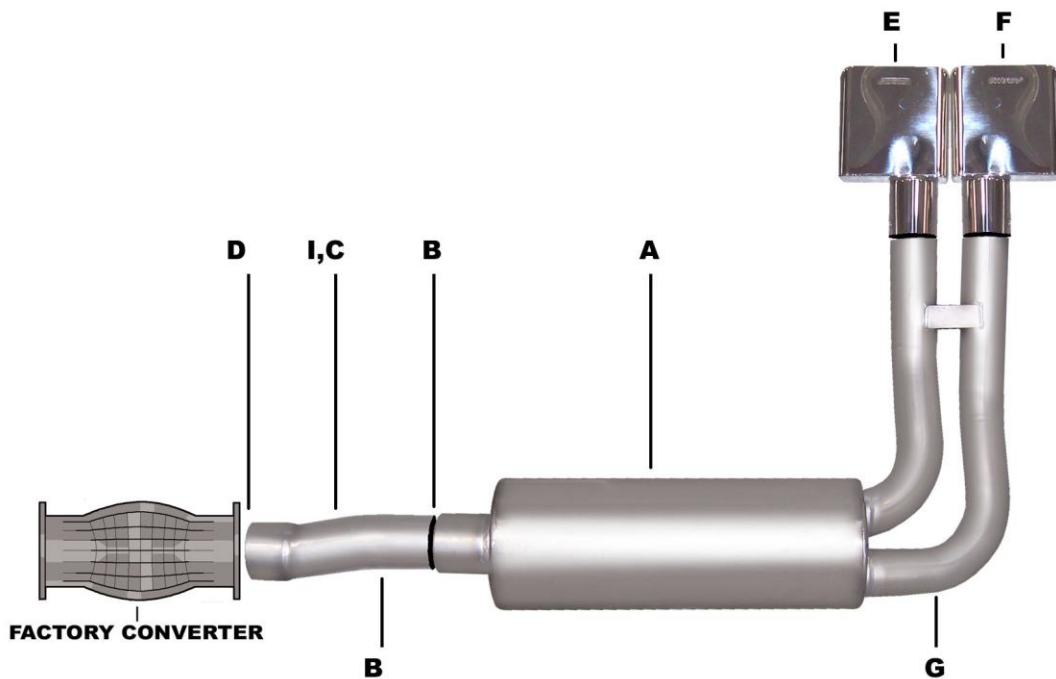




INSTRUCTION MANUAL
SUPER TRUCK STAINLESS EXHAUST
CHEVY TRUCK 5.7L 2/4WD
STANDARD CAB, SHORT BED
PART # 65510



ITEM	PART #	QUANTITY	DESCRIPTION
A	808-700110S	1	STAINLES MUFFLER ASSEMBLY
B	411-500455S	1	3" X 10" STAINLESS HEADPIPE
C	500444	1	O.E. HANGER
D	0HD300	2	3" CLAMP
E	500365	1	SUPER TRUCK TIP
F	500366	1	SUPER TRUCK TIP
G	08269	1	10" HANGER
H	BO-101	1	BOLT KIT FOR HANGER
I	500606	1	L BRACKET HANGER

EXHAUST INSTALLATION SHEET

WHEN INSTALLING THIS EXHAUST SYSTEM, MAKE SURE TO USE PROPER SAFETY PRECAUTIONS. USE JACK STANDS WHEN UNDER THE TRUCK, SET PARKING BRAKE, BLOCK TIRES, AND USE SAFETY GLASSES AND GLOVES. DO NOT WORK WITH HOT PIPES!

SUGGESTED TOOLS:

HACKSAW, 9'16" SOCKET, 1/2" SOCKET, 1/2" WRENCH, JACKSTAND

1. Raise vehicle and support with stands. Remove stock hangers leaving all rubber mounting grommets in place. Cut the stock tailpipe for easy removal.
2. Lay out the GIBSON EXHAUST SYSTEM on the floor so it looks like the drawing with hangers in the proper location.
3. Unbolt hanger on frame rail in front of stock muffler. Move hanger forward 6-1/2" to new holes (you will only use 2 bolts). Unbolt rear muffler hanger, use 10" strap hanger # G and bolt kit # H to bolt to driver side exit pipe.
4. Connect head pipe behind the stock converter. Use jack stands to support converter. Attach to stock pipe with clamp # D. Attach head pipe hanger # C and I.
5. Connect muffler assembly # A with inlet towards the converter to the head pipe and attach to head pipe with clamp # D. Use a jack stand to support the muffler.
6. Attach hanger # G to tailpipe.
7. Install stainless tips. To clean stainless steel tip, use a scott brite pad and any stainless steel or aluminum cleaner.
8. When you have everything in place, firmly tighten all bolts and clamp down securely.

* MAKE SURE YOU HAVE A 1" CLEARANCE ON ALL PIPES FROM ALL RUBBER BRAKE LINES, FUEL LINES, SHOCK BOOTS, TIRES, ETC. *