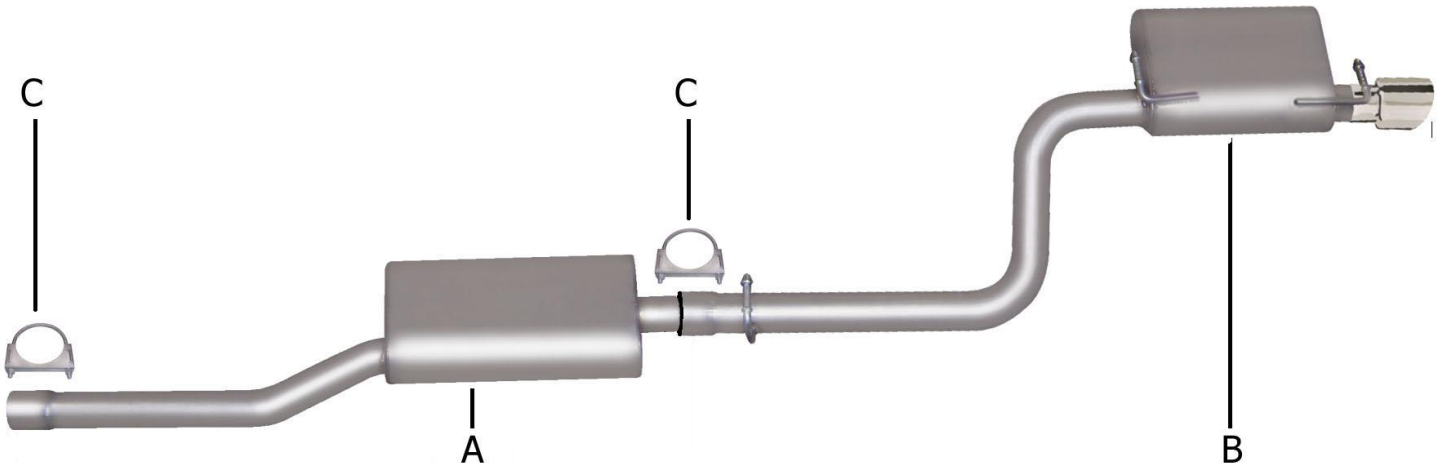




INSTALLATION INSTRUCTIONS
CAT BACK STAINLESS SINGLE EXHAUST
DODGE CHARGER 3.5L V6 2WD
MAGNUM 2.7L-3.5L V6 2WD

PART # 617001



ITEM	PART #	QUANTITY	DESCRIPTION
A	1054-700803S	1	STAINLESS HEADPIPE ASSEMBLY W/WELDED MUFFLER
B	1005-700768S	1	STAINLESS TAILPIPE ASSEMBLY W/WELDED MUFFLER, 4" SS TIP
C	5757	2	2.5" CLAMP

INSTALLATION INSTRUCTIONS #617001

CAREFULLY READ INSTRUCTIONS BEFORE STARTING INSTALLATION.

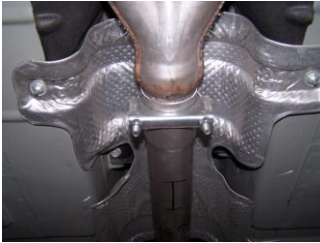
When installing this exhaust system make sure to use proper safety precautions. Use jack stands when working under the vehicle, set parking brake, block tires and use safety glasses and gloves. Allow exhaust to cool before attempting installation. Severe injury or burns could occur if safety measures are not taken.

SUGGESTED TOOLS: 1/2", 9/16" 15mm wrenches & sockets, WD-40, hacksaw, jack stands.

.....
Disconnect the negative battery cable before removal of OEM exhaust. This will allow the computer to reset and recognize the new exhaust. Lay out the exhaust on the floor so it looks like the drawing and compare parts with manual.
.....



1. To remove the stock exhaust, First remove the crossmember. Measure 3" back from weld on the Y-pipe and cut. Remove all hangers from rubber grommets. Use WD-40 to aid in the removal of the hangers. Then carefully remove the stock exhaust.



2. Install headpipe assembly #A onto stock Y-pipe. Secure pipe with clamp #C. **DO NOT TIGHTEN.** Use jackstand to support muffler.



4. Insert all welded hangers into all rubber grommets.



3.Next, install tailpipe assembly #B onto headpipe assembly, secure with clamp #C. **DO NOT TIGHTEN.**



5. Adjust assembly to fit to your liking. When you have everything in place, firmly tighten all bolts and clamps down securely. Use stainless steel cleaner and a Scotch Brite pad weekly to prevent tip from discoloration.

