

(12) **United States Design Patent**
Borkholder

(10) **Patent No.:** **US D728,434 S**
(45) **Date of Patent:** **** May 5, 2015**

(54) **ANTI-RATTLE HITCH TIGHTENER**

(71) Applicant: **Carl Borkholder**, Bremen, IN (US)
(72) Inventor: **Carl Borkholder**, Bremen, IN (US)

(**) Term: **14 Years**

(21) Appl. No.: **29/501,581**

(22) Filed: **Sep. 5, 2014**

(51) **LOC (10) Cl.** **12-16**

(52) **U.S. Cl.**
USPC **D12/162**

(58) **Field of Classification Search**
USPC D12/162, 159-161; 56/DIG. 14; 37/399;
280/406.2, 407, 407.1, 408, 411.1,
280/416.1-416.3, 418, 418.1, 433, 434,
280/435, 441.1, 441.2, 455.1, 456.1, 480,
280/493, 504, 507, 508; 224/42.11, 42.12,
224/42.14, 42.26, 400, 401, 412, 413, 488,
224/494, 500-501, 519, 537; 135/88.05;
150/166

See application file for complete search history.

(56) **References Cited**

U.S. PATENT DOCUMENTS

| | | | | | | |
|----------|---|---|---------|--------------------|-------|---------|
| D576,085 | S | * | 9/2008 | Devlin | | D12/162 |
| D591,208 | S | * | 4/2009 | Wubker, Jr. | | D12/162 |
| D612,775 | S | * | 3/2010 | Davis | | D12/162 |
| D620,403 | S | * | 7/2010 | Blankenship et al. | | D12/162 |
| D628,128 | S | * | 11/2010 | Sanders et al. | | D12/162 |
| D688,168 | S | * | 8/2013 | Buschman | | D12/162 |
| D698,286 | S | * | 1/2014 | Mason | | D12/162 |
| D698,287 | S | * | 1/2014 | Terpsma | | D12/162 |

* cited by examiner

Primary Examiner — Katrina A Betton
(74) *Attorney, Agent, or Firm* — Botkin & Hall, LLP

(57) **CLAIM**

The ornamental design for an anti-rattle hitch tightener, as shown and described.

DESCRIPTION

FIG. 1 is an isometric view of the anti-rattle hitch tightener; FIG. 2 is a top view of the anti-rattle hitch tightener of FIG. 1; FIG. 3 is a side view of the anti-rattle hitch tightener of FIG. 1; FIG. 4 is a front view of the anti-rattle hitch tightener of FIG. 1; and, FIG. 5 is a bottom view of the anti-rattle hitch tightener of FIG. 1.

1 Claim, 3 Drawing Sheets

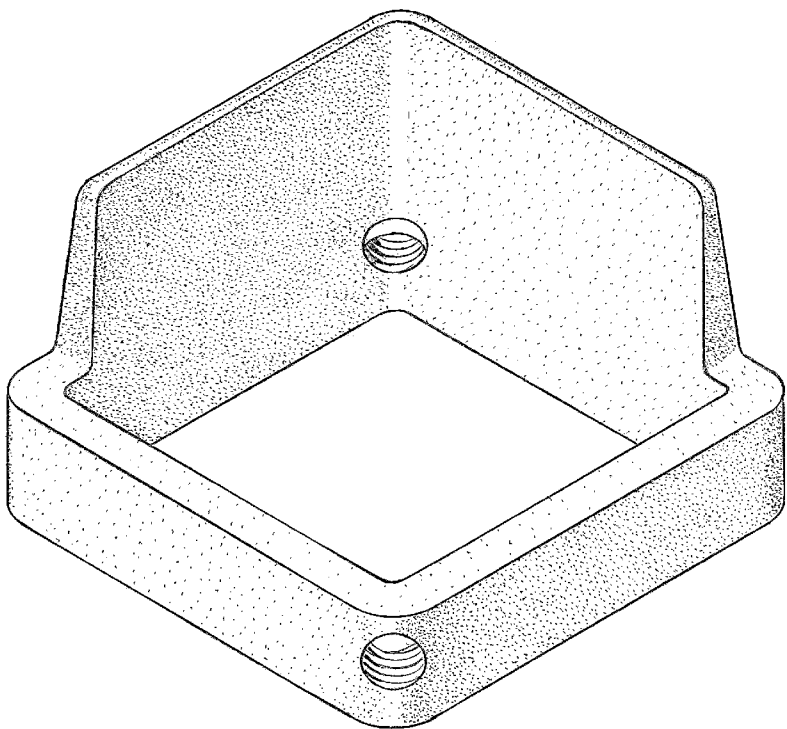


FIG.1

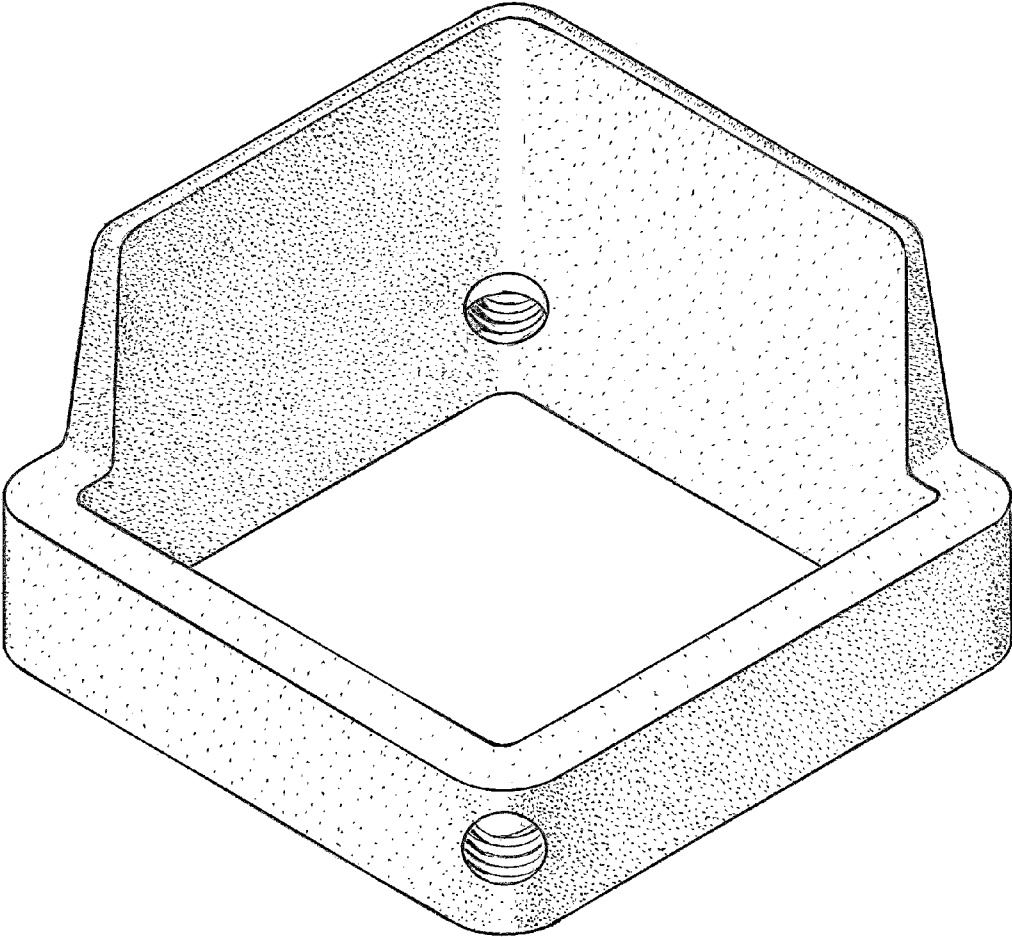


FIG.2

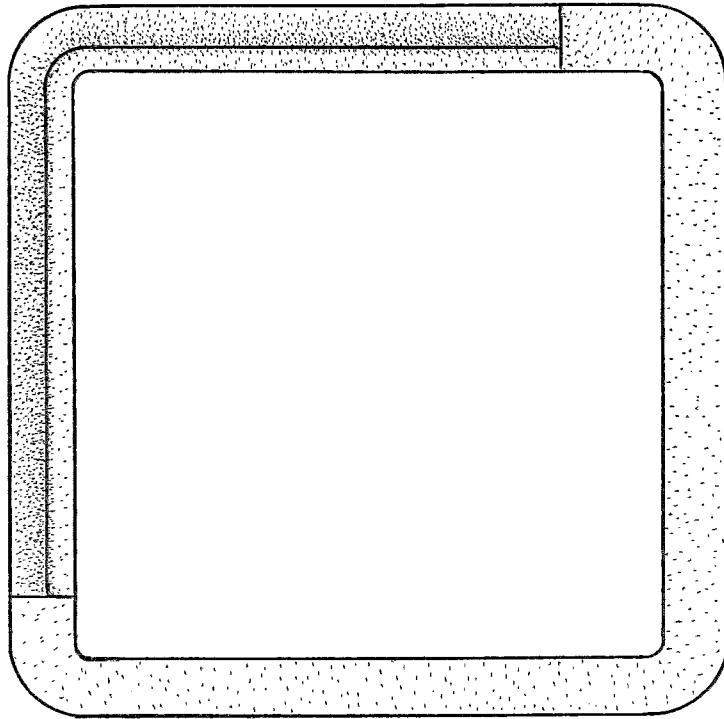


FIG.3

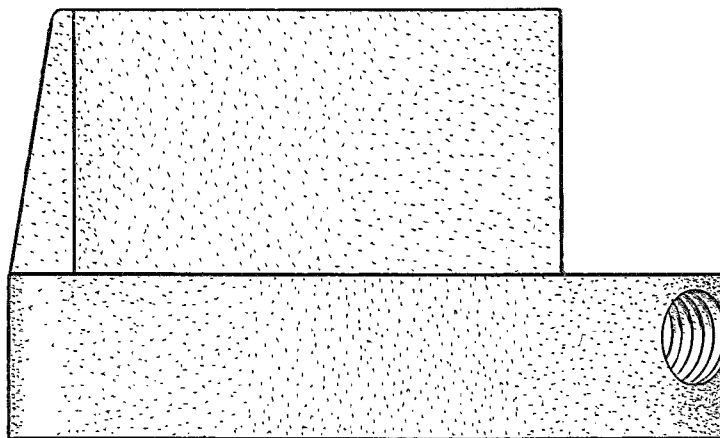


FIG.4

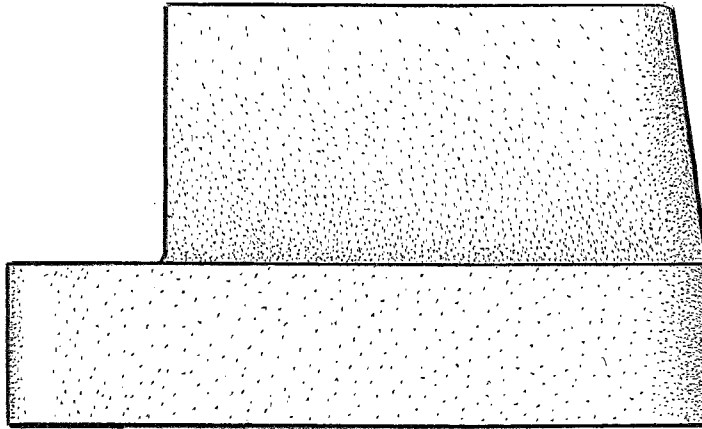


FIG.5

