

Torsion Hitch USERS MANUAL

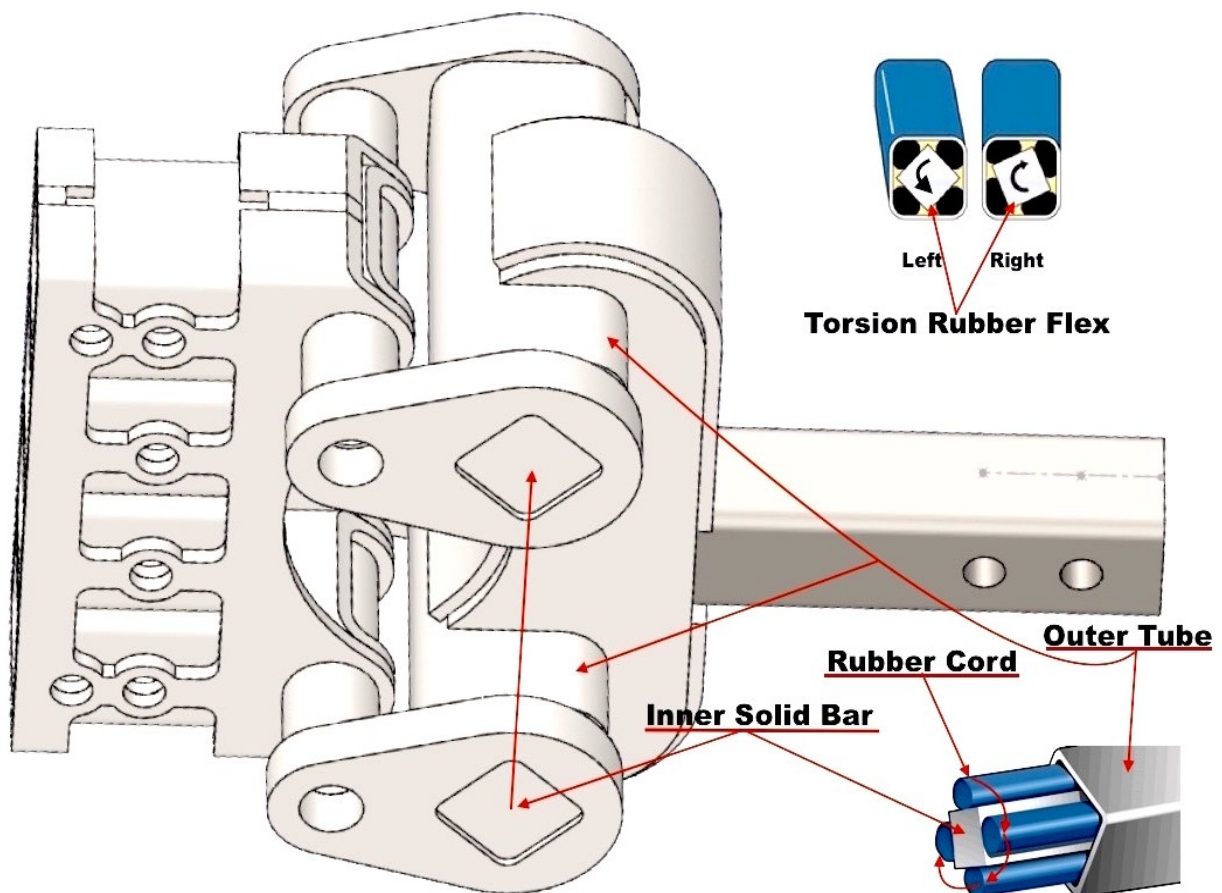
Protected under Patent # 9,505,281 B1 & US D773,345S & US 9,868,327 B1



Towing Made Easy!

Torsion Suspension technology

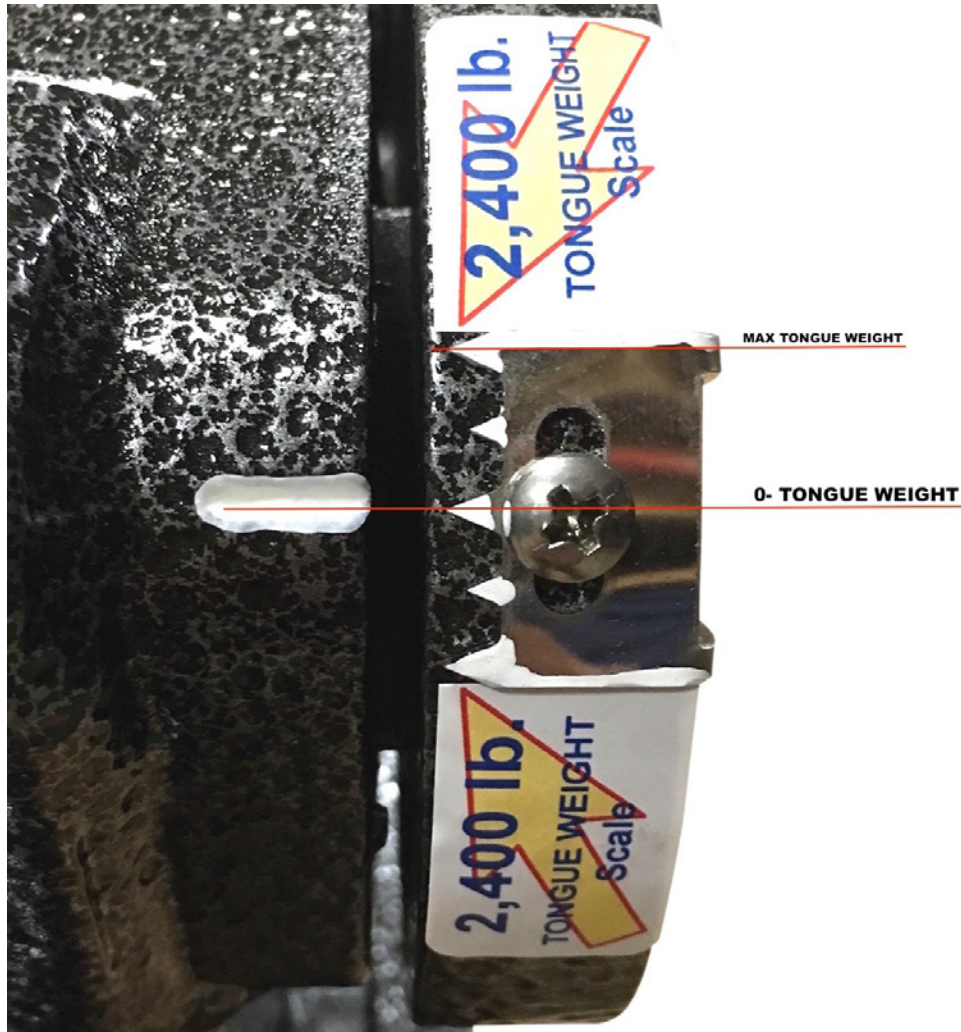
HOW IT WORKS



Torsion Hitch USERS MANUAL

Protected under Patent # 9,505,281 B1 & US D773,345S & US 9,868,327 B1

Mechanical Tongue Weight Scale



After Being Used Multiple Times, Center Point May Have to be Relocated Without Any Weight on Hitch
(Simply unscrew set screw & relocate to center & retighten).

Scale is Not 100% Accurate, Can Be Plus or Minus as Much as 200 LBS.

MAX TONGUE WEIGHT ON 10k MODELS **1,100 LBS**
(Ideal working tongue weight 400 to 1,100 lbs)

MAX TONGUE WEIGHT ON 16k MODELS **1,700 LBS**
(Ideal working tongue weight 1,000 to 1,700 lbs)

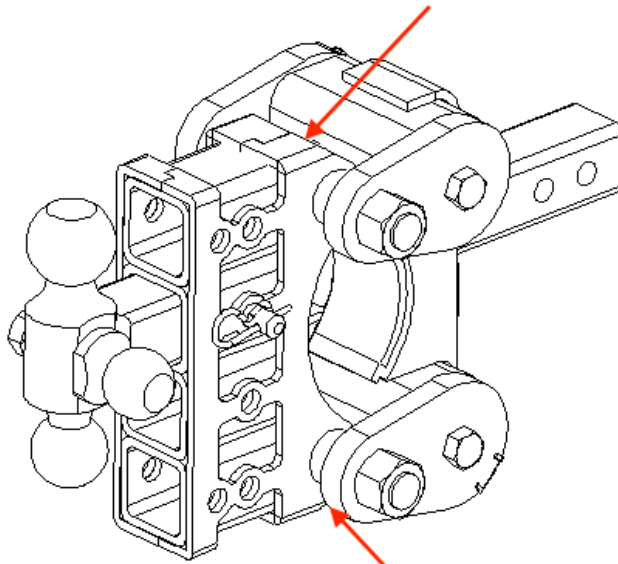
MAX TONGUE WEIGHT ON 21k MODELS **2,400 LBS.**
(Ideal working tongue weight 1,500 to 2,400 lbs)

Torsion Hitch USERS MANUAL

Protected under Patent # 9,505,281 B1 & US D773,345S & US 9,868,327 B1

Recommend grease every 2- months, Marine grease

Zerk, Grease regularly



Zerk, Grease regularly

