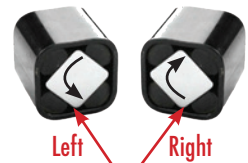
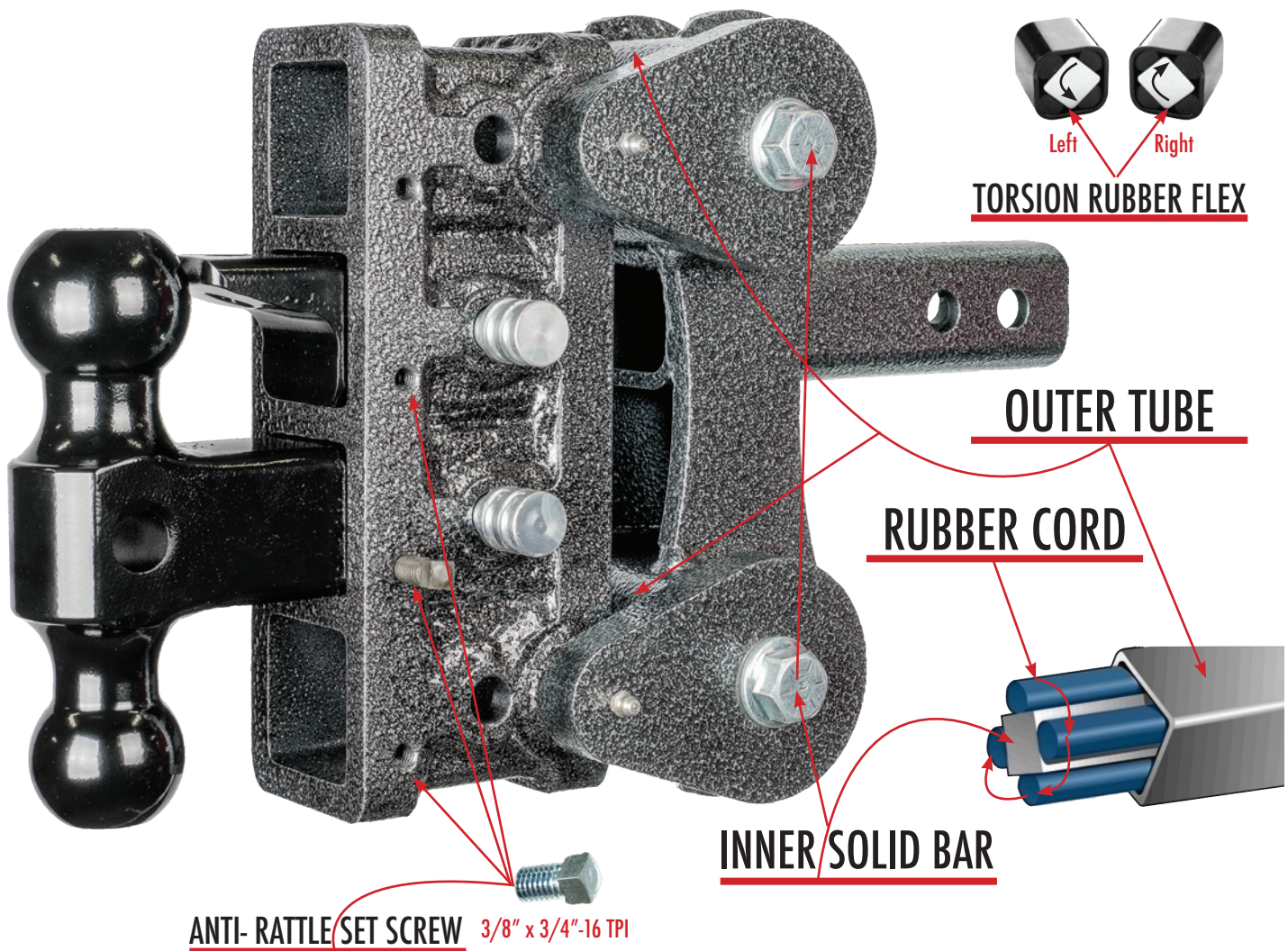




User Guide

Towing Made Easy

Torsion Suspension Technology
HOW IT WORKS



TORSION RUBBER FLEX

OUTER TUBE

RUBBER CORD

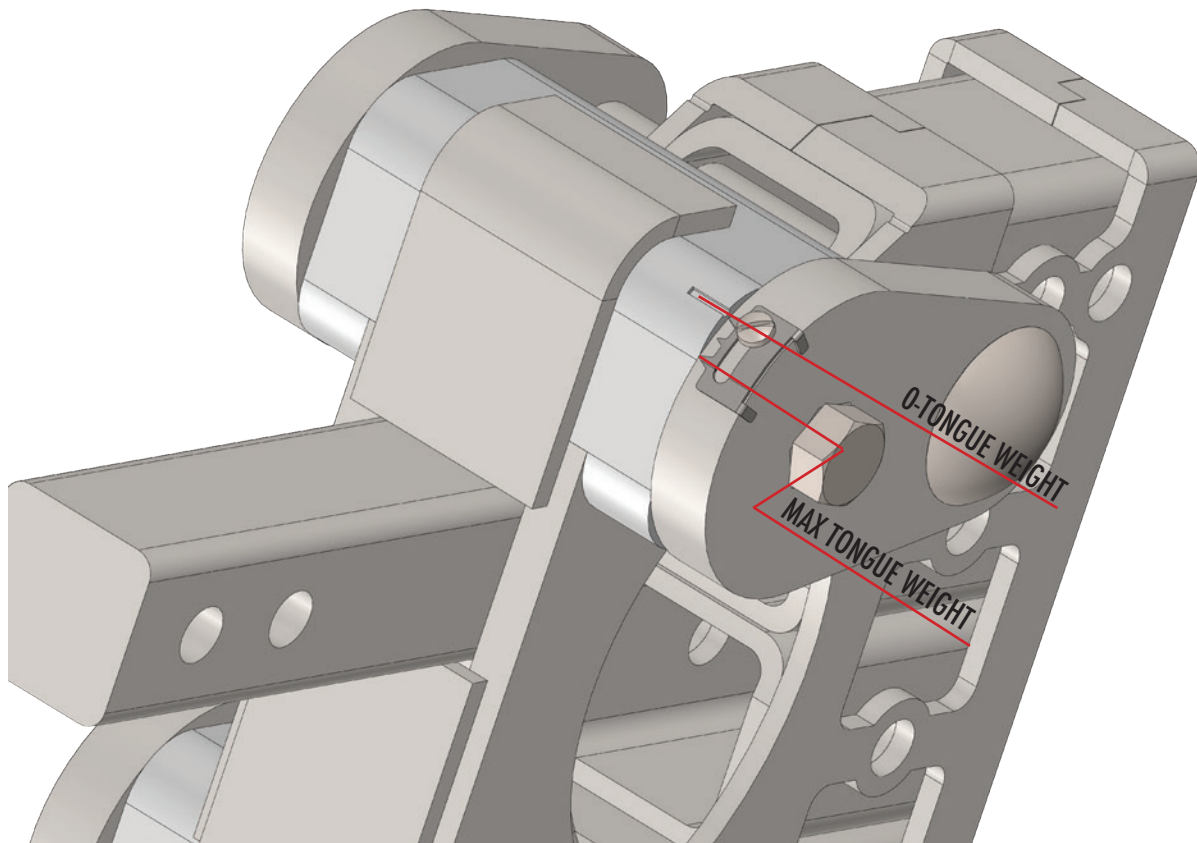
INNER SOLID BAR

ANTI-RATTLE SET SCREW 3/8" x 3/4"-16 TPI

Torsion Hitch USERS MANUAL

This product is protected by Patent # US9505281B1, USD773345S1, USD9868327B1

Mechanical Tongue Weight Scale



After Being Used Multiple Times, Zero Point May Have to be Relocated Without Any Weight on Hitch
(Simply unscrew set screw & relocate to zero point & retighten).

Scale is Not 100% Accurate, Can Be Plus or Minus as Much as 200 LBS.

MAX TONGUE WEIGHT ON 10K MODELS 1,100 LBS
(Ideal working tongue weight 400 to 1,100 lbs)

MAX TONGUE WEIGHT ON 16K MODELS 1,700 LBS
(Ideal working tongue weight 1,000 to 1,700 lbs)

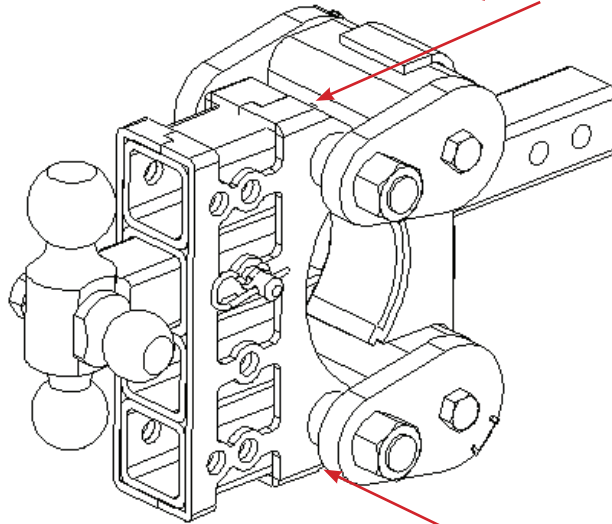
MAX TONGUE WEIGHT ON 21K MODELS 2,400 LBS.
(Ideal working tongue weight 1,500 to 2,400 lbs)

Torsion Hitch USERS MANUAL

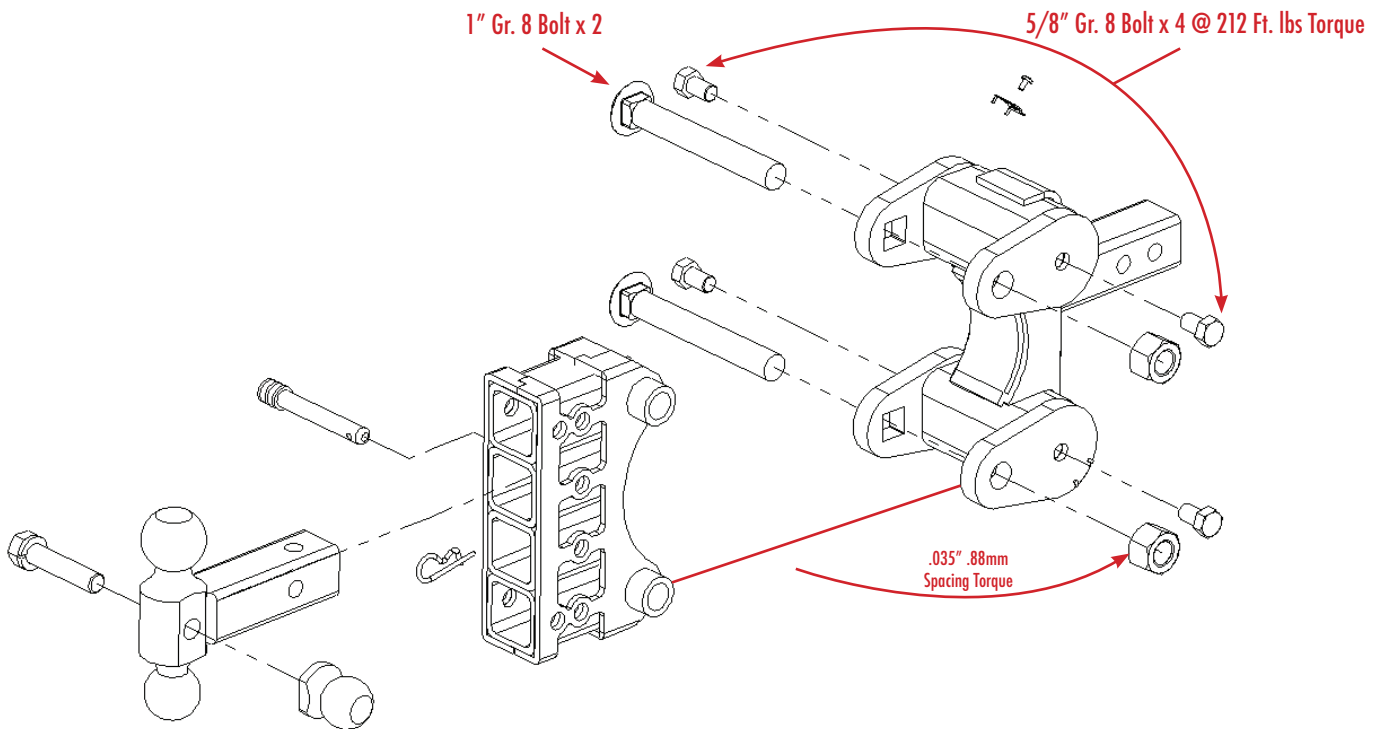
This product is protected by Patent # US9505281B1, USD773345S1, USD9868327B1

Recommend grease every 2-months, Marine grease

Zerk, Grease Regularly



Zerk, Grease Regularly





What Size Drop Hitch Do You Need?

How do I know what "drop" hitch mount I need for my vehicle? This is typically the BIG question and can vary depending on your trailer. Ideally, you want your trailer to sit behind your vehicle as level as possible when connected. The easiest way to figure this out is to measure the difference from the bottom of the trailer tongue (level) to the inside bottom of your hitch. The difference is the approximate drop you should try to get close to.

If you are not sure your trailer height, then 15-17" off the ground is an average height for most trailers to use. Again, measure tow vehicle's hitch opening. Then the appropriate drop is the difference between that and approximately 16". Example, your vehicle measures 19.5", then go with a 4" drop, that gets you close to the middle between 15" - 17".

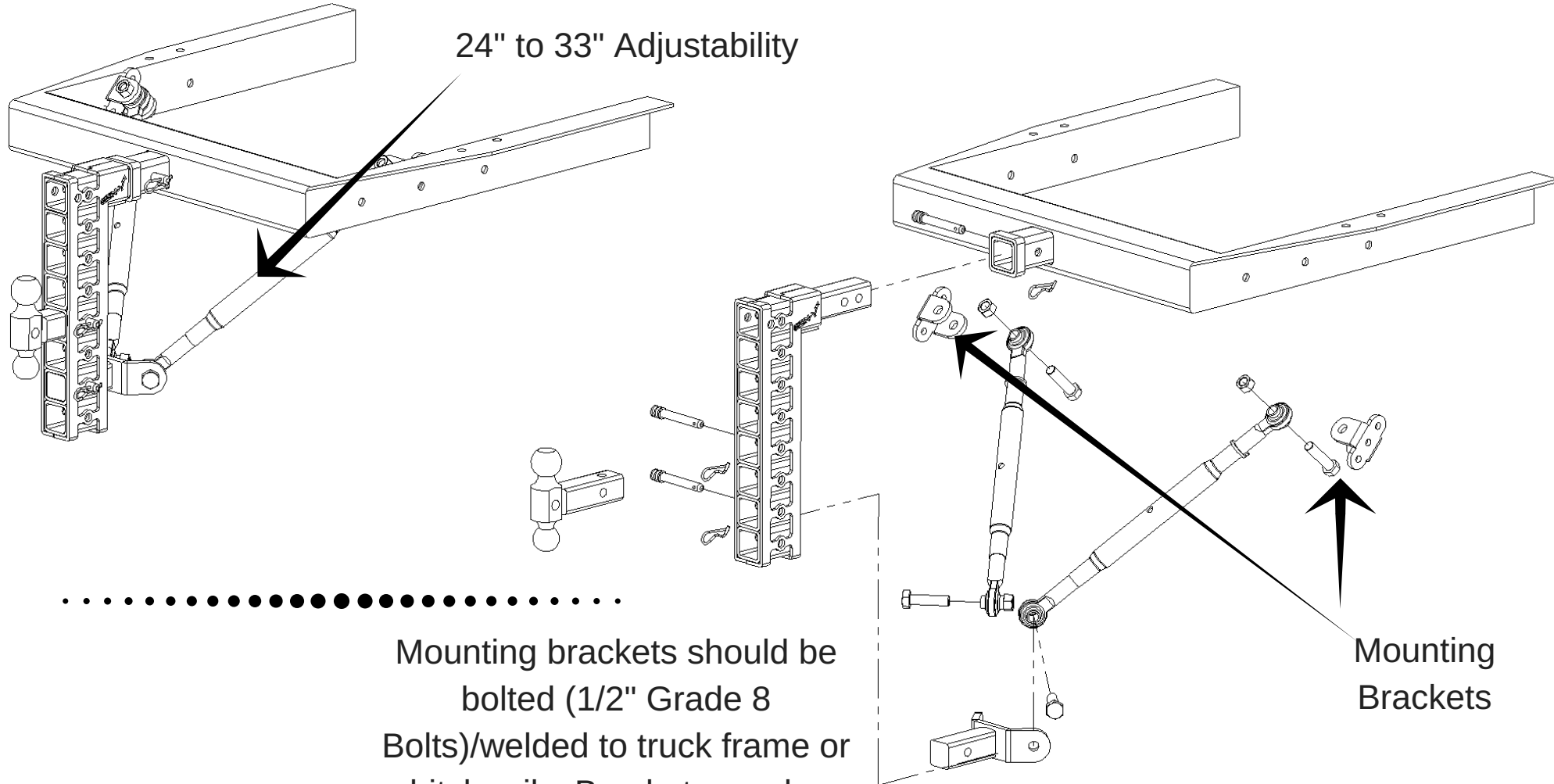
We have developed the following chart to better help you determine what size hitch is right for you. Vehicle hitch measurements need to be taken on a level surface from the ground to the center (pin center) of the vehicle's receiver hitch.

Vehicle Hitch Height:	Drop Hitch Length Needed:
22 Inches	6 Inch Drop Hitch
25 Inches	9 Inch Drop Hitch
28 Inches	12 Inch Drop Hitch
31 Inches	15 Inch Drop Hitch
34 Inches	18 Inch Drop Hitch
37 Inches	21 Inch Drop Hitch



Adjustable stabilizer bar kit,
includes all mounting brackets &
hardware. Compatible with 2" or
2.5" GEN-Y Hitch. (Hitch is NOT
included)

Drop Hitch Stabilizer Kit- GH-0100



24" to 33" Adjustability



Mounting brackets should be
bolted (1/2" Grade 8
Bolts)/welded to truck frame or
hitch rails. Brackets can be
mounted on the side (as pictured)
or on bottom rail.

Mounting
Brackets