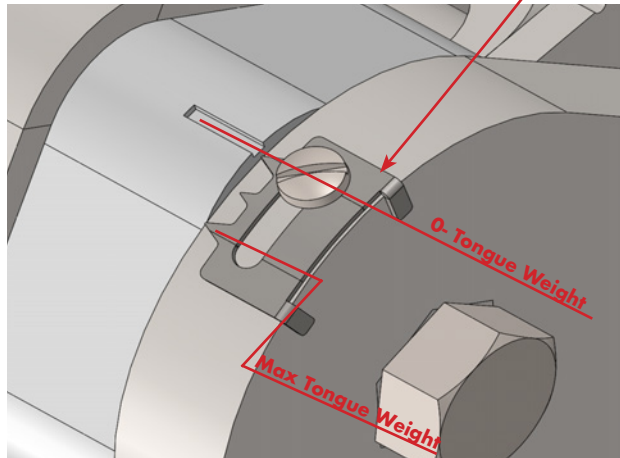
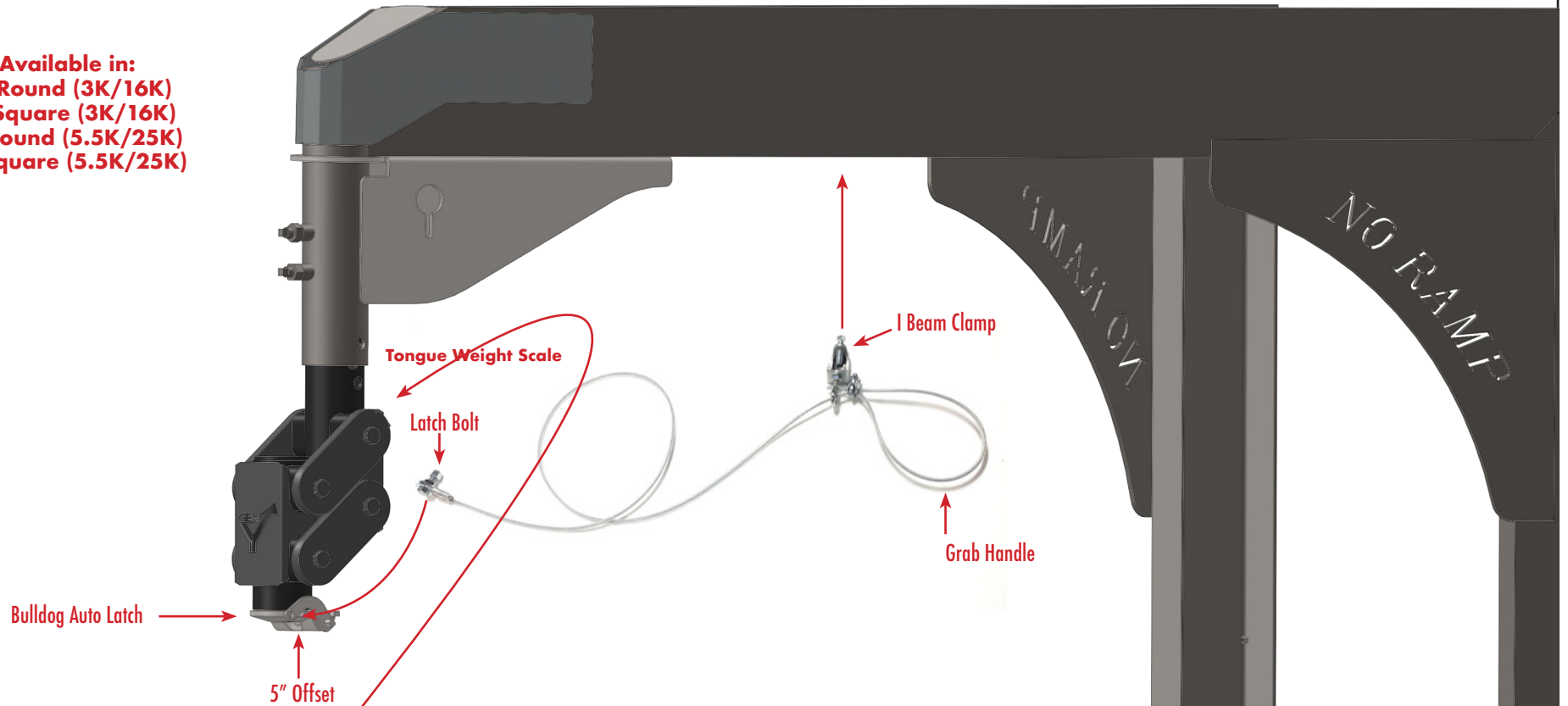




Gooseneck Torsion SUSPENSION Coupler

Available in:
4" Round (3K/16K)
4" Square (3K/16K)
4" Round (5.5K/25K)
4" Square (5.5K/25K)



Tongue Weight Scale Instructions

After being used multiple times, zero point may have to be relocated without any weight on coupler.

(Simply unscrew set screw & relocate to center & retighten)

Scale is NOT 100% accurate, can be plus or minus as much as 200 LBS.

MAX TONGUE WEIGHT ON (3K/16K) MODELS 3,000 LBS.
(Optimal tongue weight 2,500 to 3,000 lbs)

MAX TONGUE WEIGHT ON (5.5K/25K) MODELS 5,500 LBS.
(Optimal tongue weight 4,500 to 5,500 lbs)