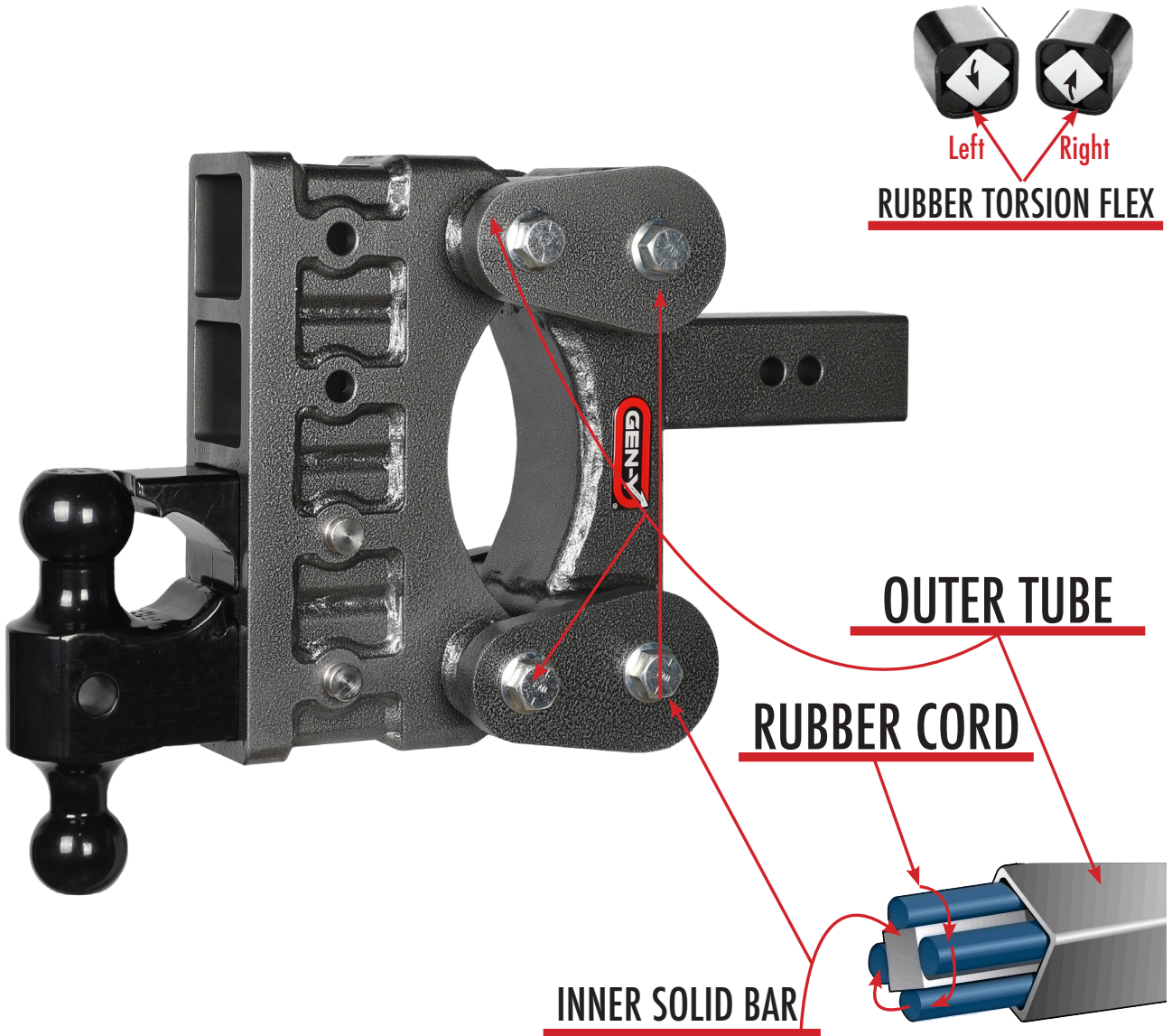




USER GUIDE

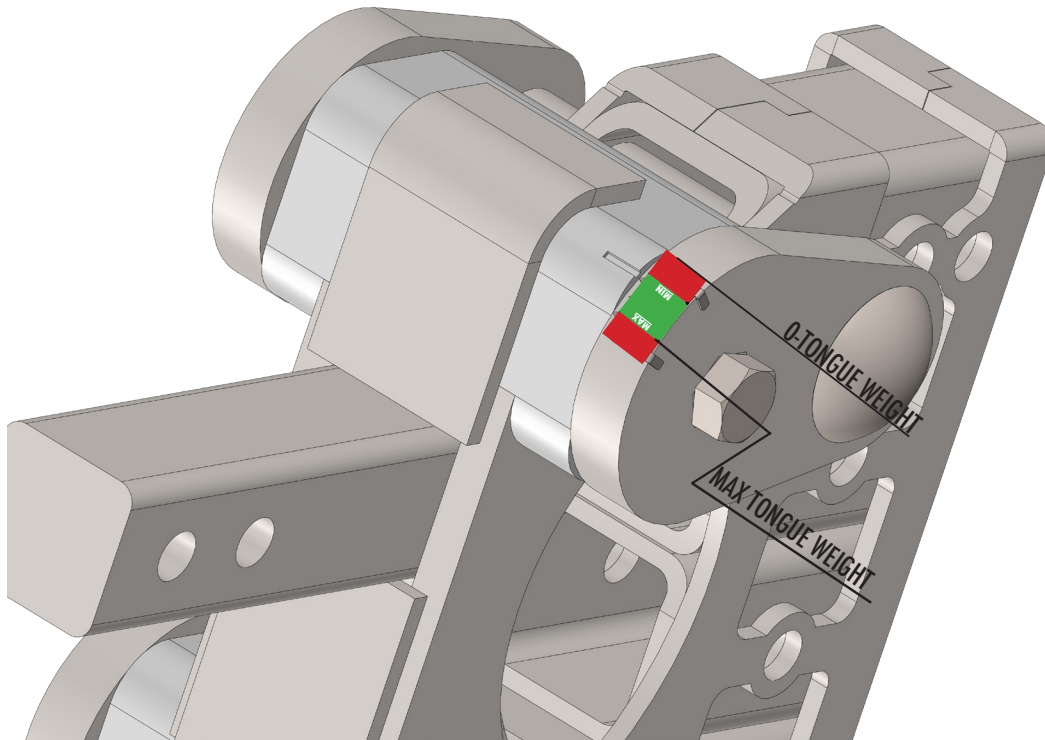
Towing Made Easy

Torsion-Flex Suspension Technology
HOW IT WORKS



Torsion Hitch USERS MANUAL

This product is protected by Patent #US9505281B1, USD773345S1, USD9868327B1



Scale is not 100% accurate, can be plus or minus as much as 200 lbs.

MAX TONGUE WEIGHT ON 10K MODELS 1,100 LBS.
(Ideal working tongue weight 400 - 1,100 lbs)

MAX TONGUE WEIGHT ON 16K MODELS 1,700 LBS
(Ideal working tongue weight 1,000 - 1,700 lbs)

MAX TONGUE WEIGHT ON 21K MODELS 2,400 LBS
(Ideal working tongue weight 1,500 - 2,400 lbs)

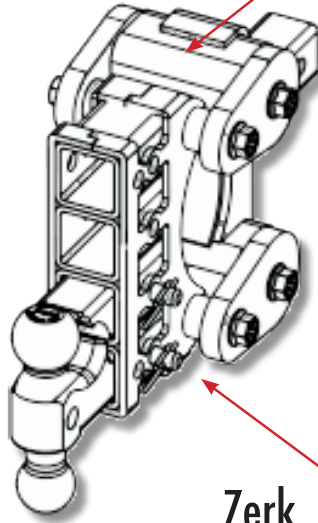
MAX TONGUE WEIGHT ON 32K MODELS 3,500 LBS
(Ideal working tongue weight 2,000 - 3,500 lbs)

Torsion Hitch USERS MANUAL

This product is protected by Patent #US9505281B1, USD773345S1, USD9868327B1

Recommend Grease Every 2 months with Marine Grease

Zerk, Grease Regularly



Zerk, Grease Regularly

