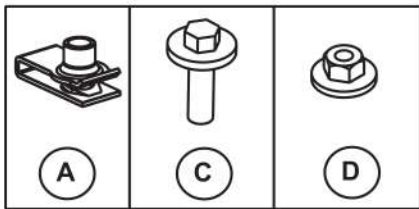
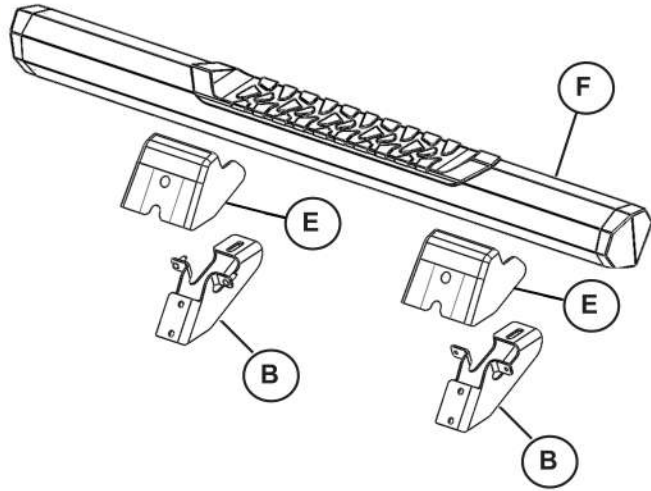


2 DOOR

A	4
B	4
C	12
D	8
E	4
F	2



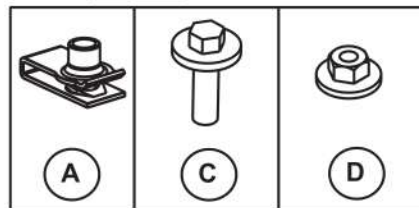
←
FRONT



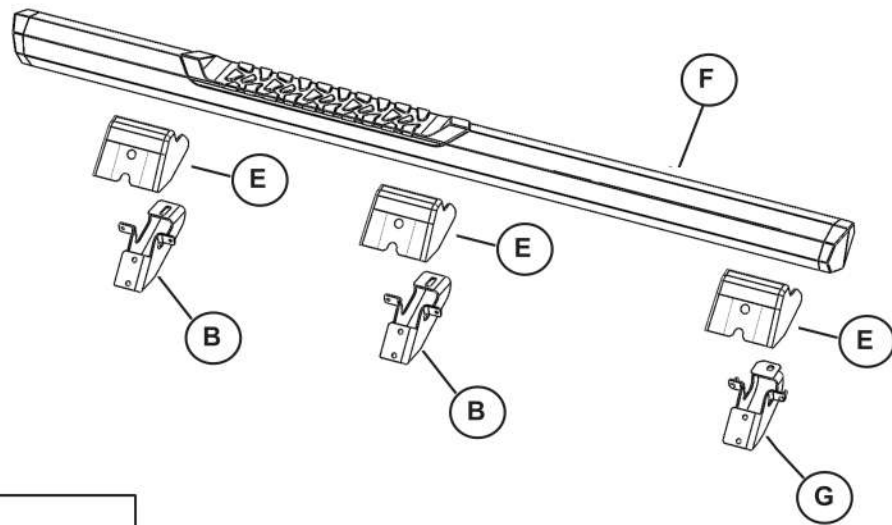
Driver's Side Shown

4 DOOR

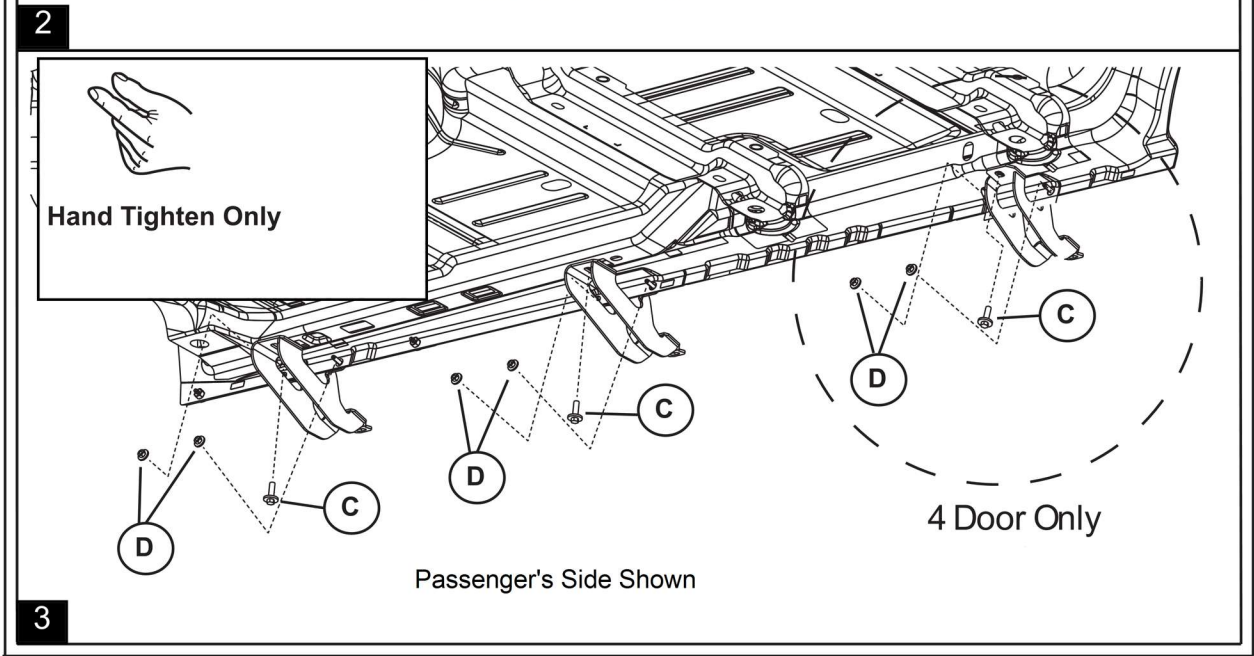
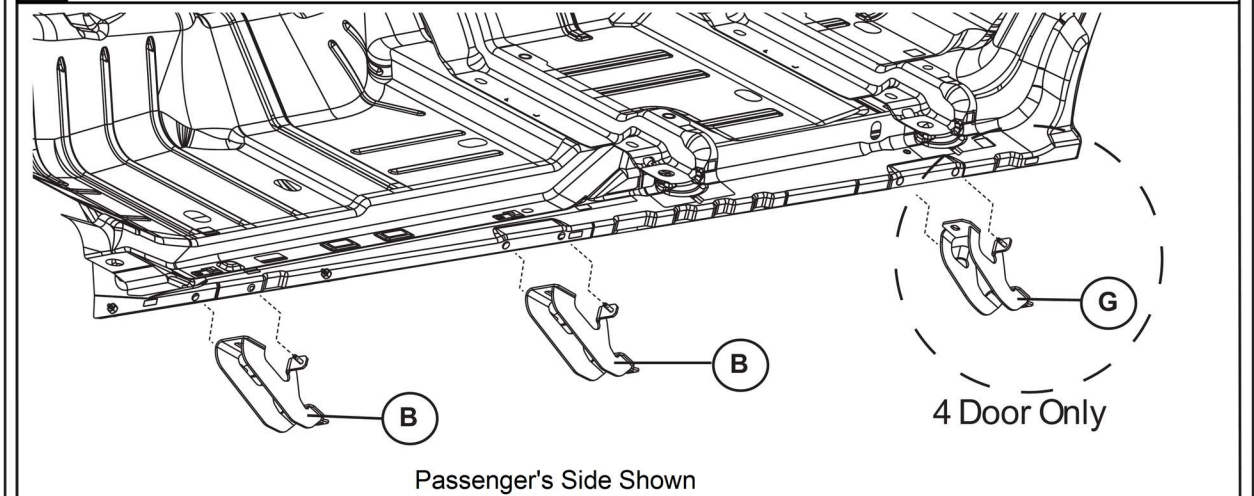
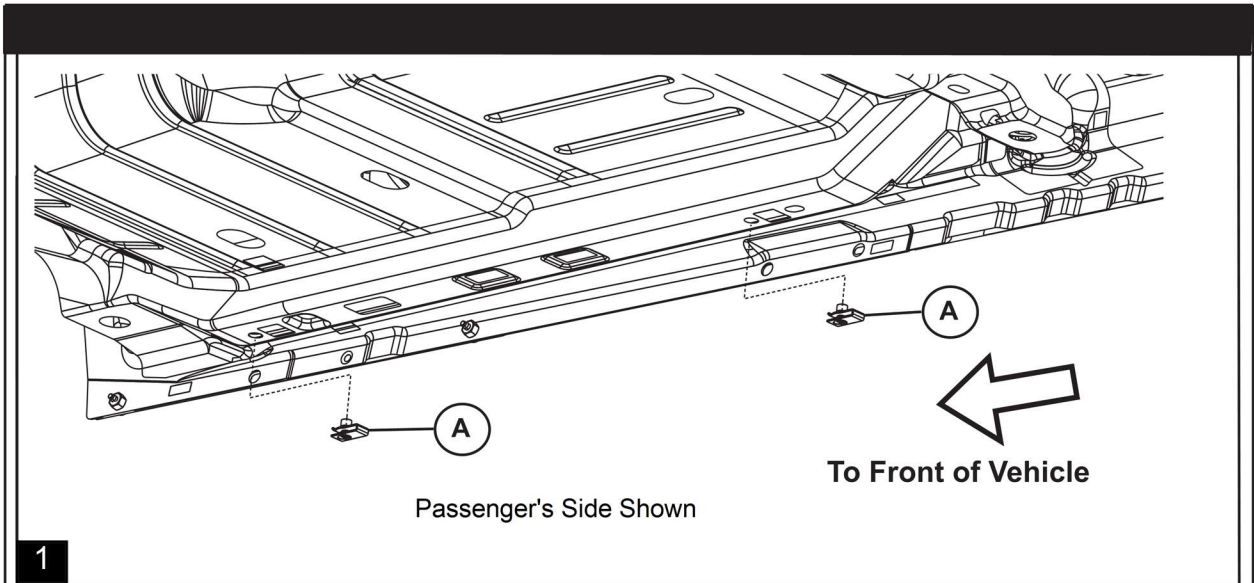
A	4
B	4
C	18
D	12
E	6
F	2
G	2

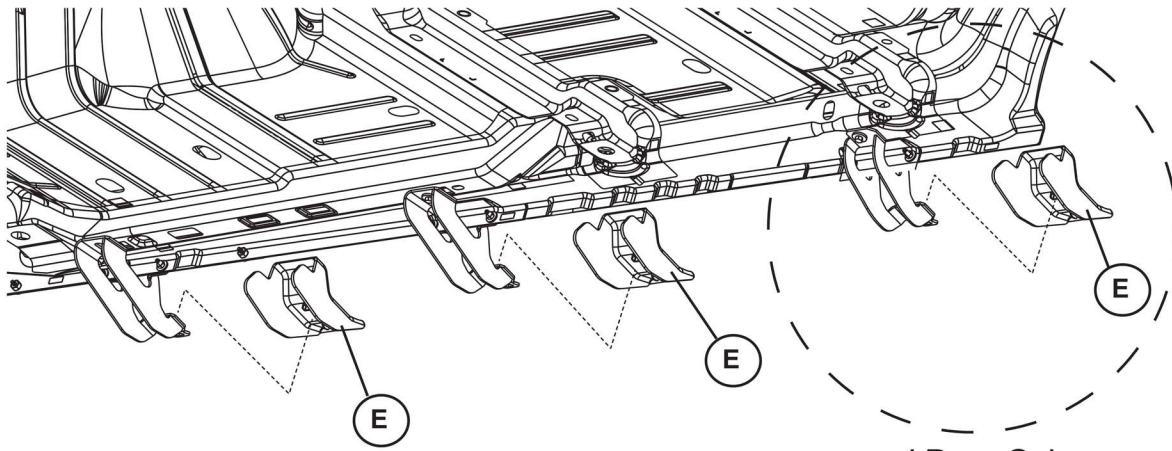


←
FRONT



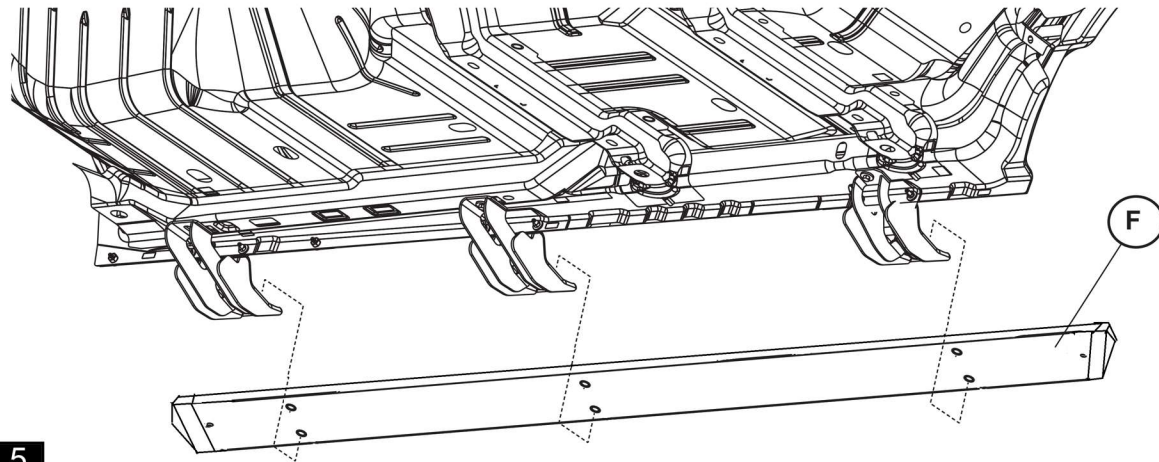
Driver's Side Shown



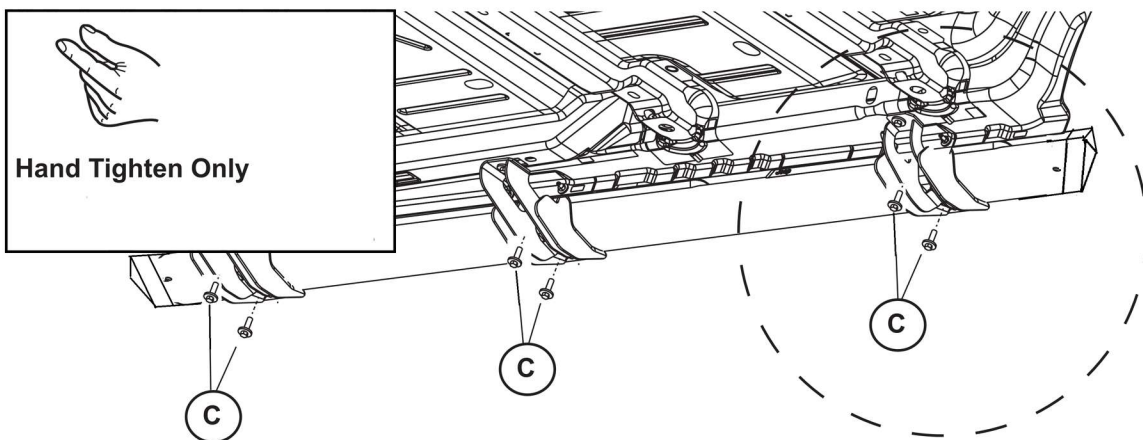


Passenger's Side Shown

4

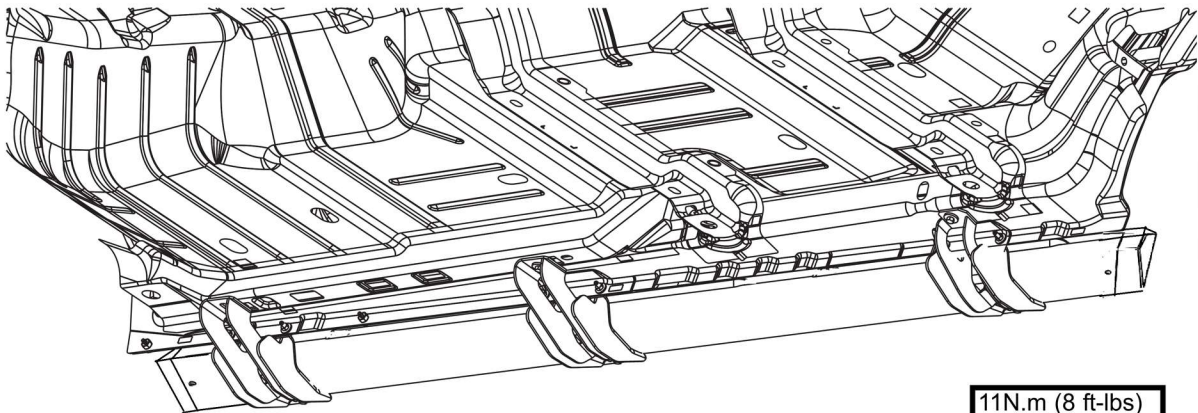


5



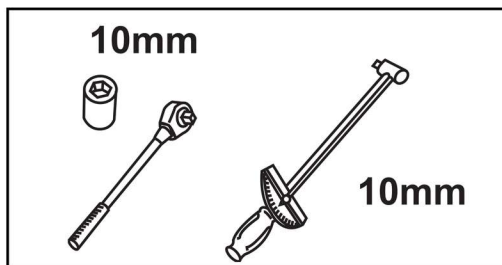
Passenger's Side Shown

6



11N.m (8 ft-lbs)

22N.m (16 ft-lbs)



Tighten fasteners labeled "C" to 16ft-lbs. (22N.m). Tighten fasteners labeled "D" to 8ft-lbs. (11N.m).

Repeat for Driver's Side.

Caution - Do Not Overtorque.

7