

# GEMO

## TUBE PRODUCTS

VEHICLE APPLICATION(S):  
2009+  
DODGE RAM 1500

**Tools Required:**

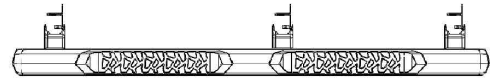
- Torque Wrench
- 10mm, 13mm socket
- 3/8" drive ratchet
- 3" 3/8" drive extension

**Torque Table:**

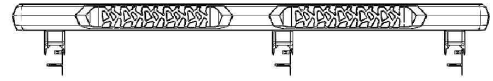
M8 - 16Nm, or 12FT-LBS

**Parts List**

Item	Description	Quantity		
		Regular	Quad	Crew
1	Tube Assembly Driver Side	1	1	1
2	Tube Assembly Passenger Side	1	1	1
3	M8 Hexagon bodied riv-nut	4	6	6
4	M8 X 30 mm Bolt	16	24	24
5	M8 Flange Nut	4	6	6
6	Riv-nut Installation Tool*	1	1	1



ITEM 1 - LHS/DRIVER SIDE

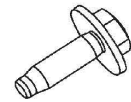


ITEM 2 - RHS/PASSENGER SIDE

QUAD CAB IS SHOWN. CREW AND REGULAR ARE SIMILAR



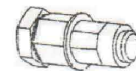
ITEM 3



ITEM 4



ITEM 5

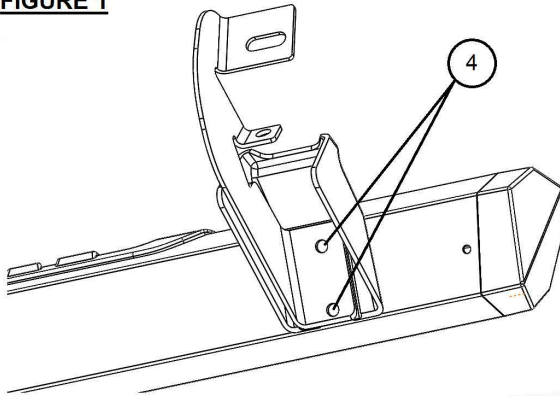


ITEM 6

**Tubular Assist Step Installation Procedure**

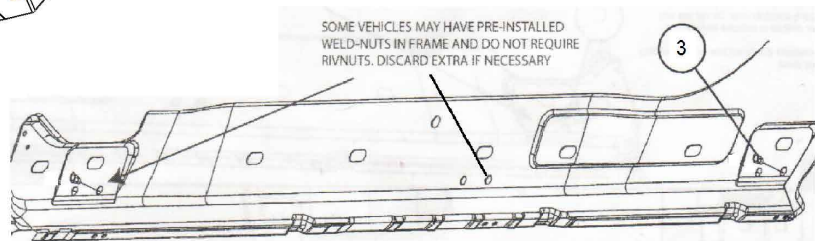
1. Install bracket covers and mounting brackets to tube using M8 bolts (Item 4). Install bolts only finger tight at this time.

**FIGURE 1**



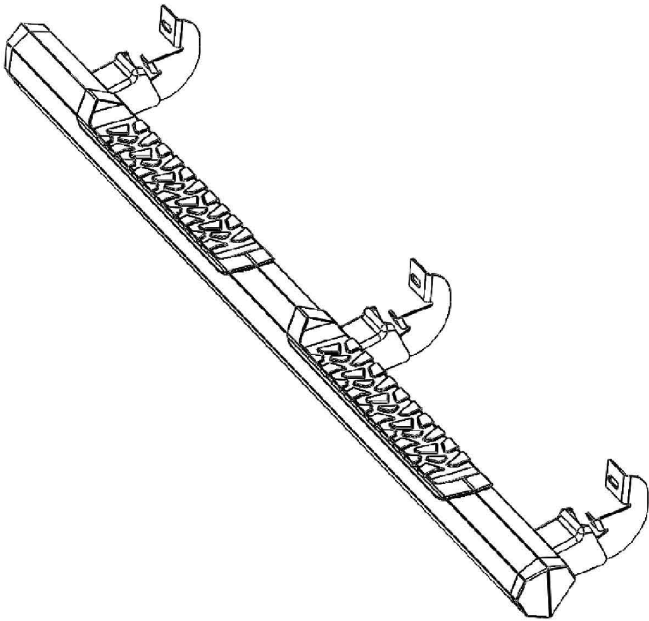
2. Determine left hand and right hand tubular assist step by identification labels on bottom of steps.
3. Hold tube up to inner rocker and note installation hole locations. Install Riv-nuts (Item 3) into rocker panel at appropriate location using Riv-nut Installation Tool (Item 6). *\*Some vehicles may have pre-installed weld-nuts in frame and do not require riv-nuts. Discard extra if necessary.*  
Lubricate riv-nut tool using soapy water before each use. Rotate the tool 3.5 turns +/- 0.25 turns to ensure rivnut is totally collapsed. Do not overtorque.

**FIGURE 2**



4. Install tube to vehicle using M8 bolts at upper bracket hole locations into vehicle mounted riv-nuts / weld nuts, finger tight
5. Using M8 bolts and M8 flange nuts, mount bracket to lower rocker panel, finger tight.
6. Tighten all mounting bolts to 16NM or 12FT-LBS
7. Verify correct torque on all hardware.

**FIGURE 3**



**FIGURE 4**

