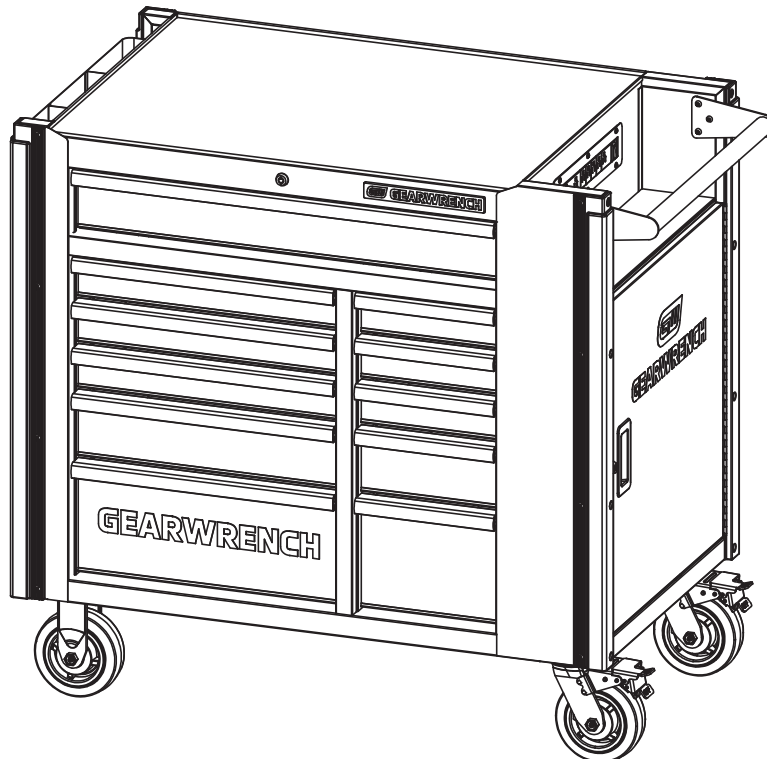
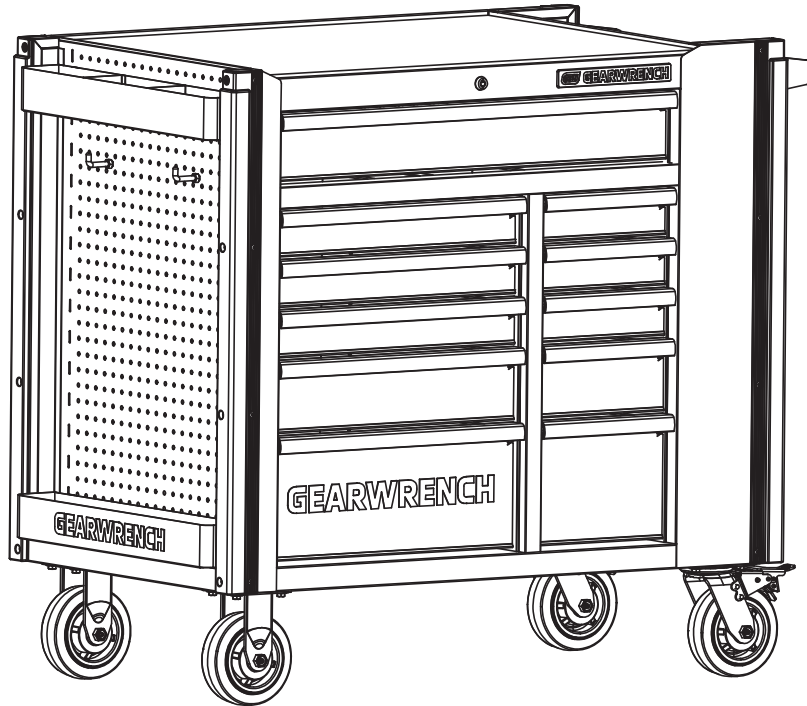


GEARWRENCH

User's Manual 42 in. 11-Drawer Industrial Rolling Cabinet



Safety Information

1. Do not pull this cabinet, push it when moving.
2. Use the brakes when this product is not being moved. This prevents the product from rolling.
3. Do not alter this product in any manner or it will void the warranty.
4. Before locking the cabinet, ensure the drawers are completely closed in order for the lock mechanism to work properly.
5. Do not attach or mount this product to a vehicle or mobile trailers. This may cause personal injury or product damage. Mounting this product to any vehicle or mobile trailers in any manner will void warranty.
6. Be careful when opening more than one drawer. The product may become unstable and tip, which may cause personal injury or product damage.
7. Keep the product on level surfaces. The product may become unstable and tip if stored or moved on an unlevel surface, which may cause personal injury or product damage.
8. Lock the drawers before moving this product. The drawers could come open and make the product unstable and tip, which may cause personal injury or product damage.
9. Extension cord
 - Follow all manufacturers' Warnings and Operating Instructions for your extension cord.
 - Only use a three-wire extension cord with all three prongs intact. Never remove the round grounding prong.
 - Extension cord must be connected to a 125 Volt GFCI protected outlet with proper ground. If GFCI outlet is not available, use an extension cord with GFCI protection built in.
 - Check the insulation and plugs of extension cord before using. Do NOT use cord if it is worn or damaged.
 - Do NOT overload extension cord.
 - Do NOT run over extension cord.
 - Only use an extension cord that is rated for outdoor use.
 - Do NOT connect extension cord to outlet that also supplies critical safety equipment with power.

10. Electrical Shock Hazard

- Do not plug cord into outlet with wet hands.
- Do not use this cabinet near a bathtub, a shower, or a swimming pool.
- Cabinet plugs must match the outlet.
- Never modify the plug in any way.
- Do not use any adapter plugs with earth (grounded) cabinet power strips.

NOTE: This device complies with Part 15 of the FCC Rules. Operation is subject to the following two conditions: (1) this device may not cause harmful interference, and (2) this device must accept any interference received, including interference that may cause undesired operation.

NOTE: This equipment has been tested and found to comply with the limits for a Class B digital device, pursuant to Part 15 of the FCC Rules. These limits are designed to provide reasonable protection against harmful interference in a residential installation. This equipment generates, uses and can radiate radio frequency energy and, if not installed and used in accordance with the instructions, may cause harmful interference to radio communications. However, there is no guarantee that interference will not occur in a particular installation.

If this equipment does cause harmful interference to radio or television reception, which can be determined by turning the equipment off and on, the user is encouraged to try to correct the interference by one or more of the following measures:

- Reorient or relocate the receiving antenna.
- Increase the separation between the equipment and receiver.
- Connect the equipment into an outlet on a circuit different from that to which the receiver is connected.
- Consult the dealer or an experienced radio/TV technician for help.

NOTE: This unit has one power supply cord. Make sure the cord is unplugged before any servicing or cleaning.

Specifications

Drawer load capacity	100 lbs
Bottom deep drawers load capacity	200 lbs
Heavy duty storage hook load capacity	35 lbs
Total weight capacity	2,500 lbs

Tools Required

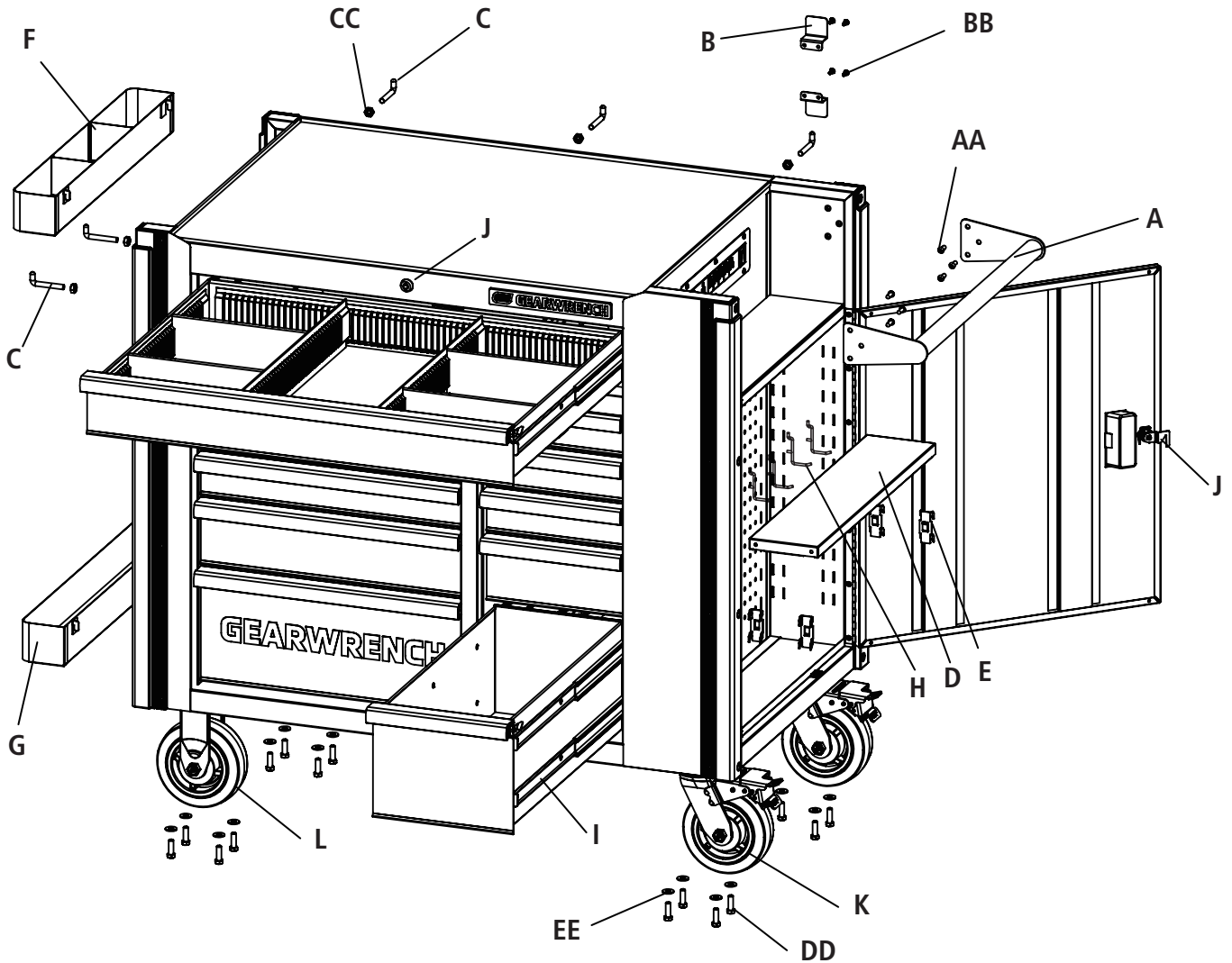


Hex key (included)



*14 mm wrench or socket (not included)

Parts

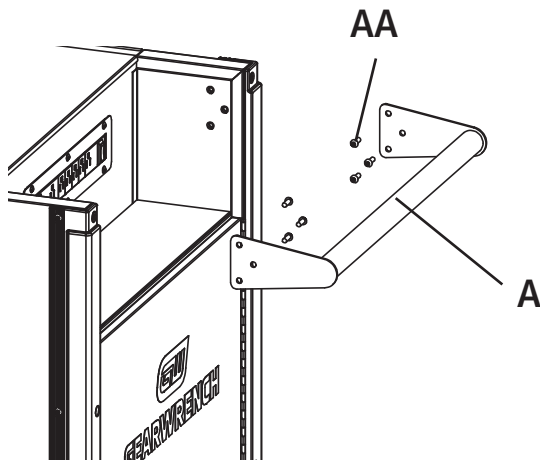


Part	Description	Quantity	Part	Description	Quantity
A	Side Handle	1	J	Barrel Locks and Keys	2
B	Cord Storage Brackets	2	K	Swivel Caster	2
C	Heavy Duty Hooks	5	L	Rigid Caster	2
D	Shelf	1	AA	Screws M6x16mm	6
E	Shelf Clips	4	BB	Screws M4x12mm	4
F	Parts Tray	1	CC	Nut M8	3
G	Storage Tray	1	DD	Bolts M8x25mm	16
H	Peg Hooks	4	EE	Washers 19x8.5x2mm	16
I	Drawer Slides	13 pair			

Assembly

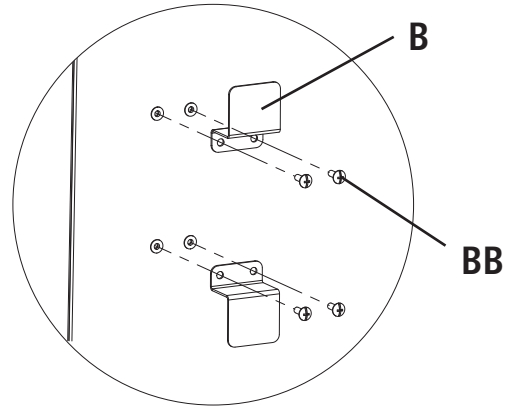
Attaching the Side Handle

- Position the side handle (A) on the holes in the right of cabinet.
- Attach handle (A) with 6 screws (AA) and tighten with supplied hex key. Be careful not to over tighten. Note: The holes in the cabinet are tapped and do not require nuts.



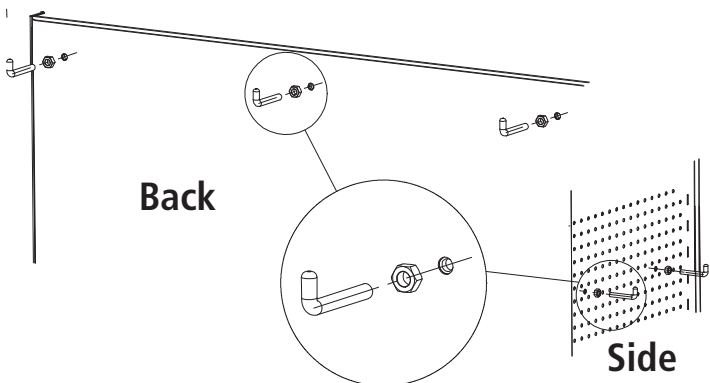
Installing the Cord Storage Brackets

- Attach the brackets (B) to the back of the cabinet with two screws (BB) per bracket.
- Orient the brackets (B) with one pointed up and one pointed down so that the power outlet cord can be wrapped around the brackets (B) for storage.



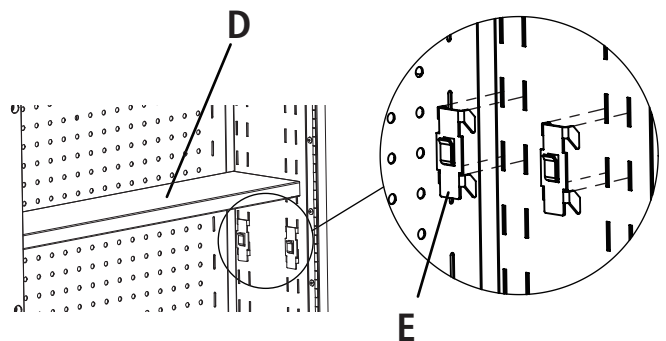
Installing the Heavy Duty Storage Hooks

- Attach the nuts (CC) onto the hook (C) and then insert the hooks in the holes as shown.
- Be sure the hooks (C) are pointing upwards for installation, then hand-tighten the nuts (CC).
- Securely tighten the nuts (CC) with a 14mm wrench (not included). Be careful not to over tighten.



Installing the Shelf

- Put the 4 shelf clips (E) into the slots on the interior of the side cabinet as shown, installing two shelf clips (E) on each side of the interior.
- Be sure that all 4 shelf clips (E) are at the same level before installing the shelf (D). Shelf can be installed at desired level as long as the shelf clips are aligned correctly.



Installing Power Cord

- Untie power cord located inside drawer.
- Gently pull cord plug through grommet.

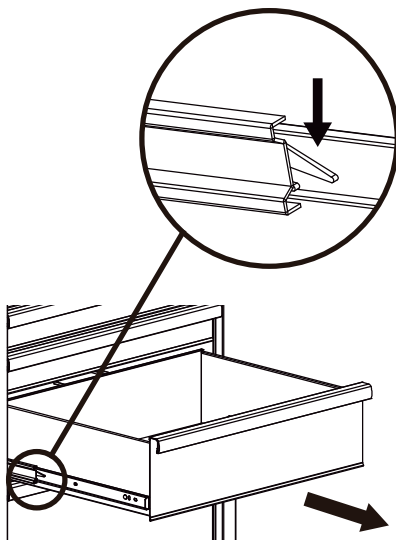
Installing Two Storage Trays

- To install parts tray (F) and storage tray (G), insert the hooks on the box into the desired holes on the left side panel of the cabinet. Be sure that the selected holes are aligned so that the box is level.

Operation

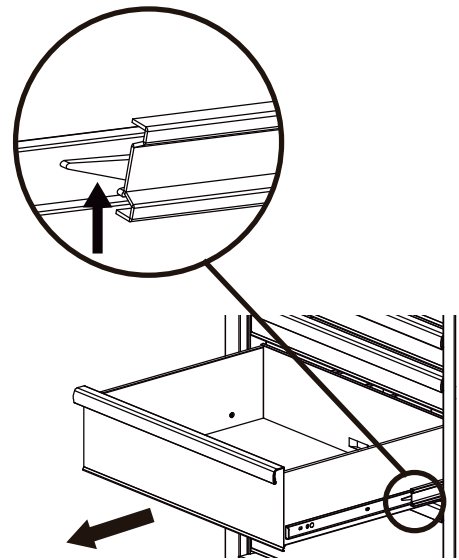
Removing the drawers

- Fully extend the empty drawer.
- Push up the one release lever while pulling down on the other release lever.
- Pull the drawer outward until it is released from the drawer slide.



Re-inserting the drawers

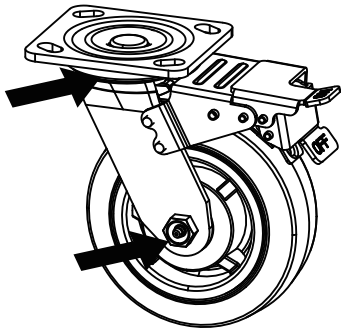
- Extend the drawer slides.
- Insert the brackets on each side of the drawer into the slots in the slides, being careful that they are properly positioned.
- Once properly inserted, completely close the drawer to set the slides in their proper positions.



Maintenance

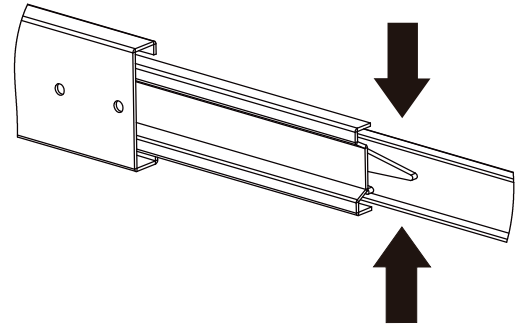
Caster maintenance

- Grease the casters annually using high-quality bearing grease.



Drawer maintenance

- Lubricate the slides semi-annually with high-quality bearing grease.



- Periodically clean the drawer fronts, drawer trim, and other surfaces with a mild detergent and water.
- Remove grease and oil with a mild cleaning detergent.