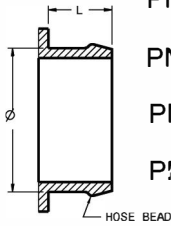


Honeywell Garrett GT3071R

Compressor Inlet

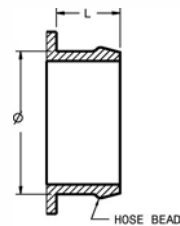
HOSE CONNECTIONS
TABULATED AS (\varnothing x L)



PN700382-3
 \varnothing 69.85 x 31.75
PN700382-20
 \varnothing 102 x 31.75
PN756021-1
 \varnothing 69.85 x 31.75
PN756021-2
 \varnothing 102 x 31.75

Compressor Outlet

HOSE CONNECTIONS
TABULATED AS (\varnothing x L)



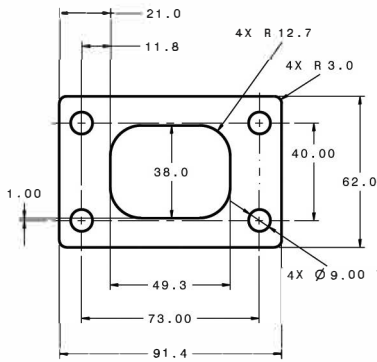
\varnothing 50.8 x 30

Oil Inlet

0.4375IN-24
THREAD FOR \varnothing 6.35 TUBE
INVERTED FLARE CONNECTION
PER SAE J512 (OIL INLET)

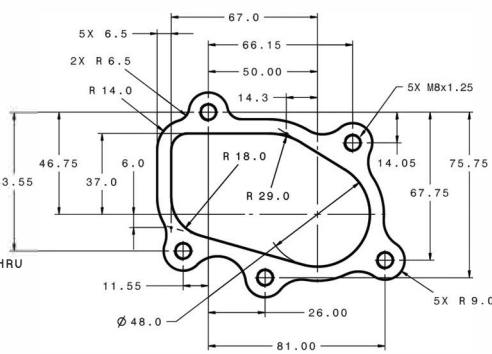
Turbine Inlet

"T25"

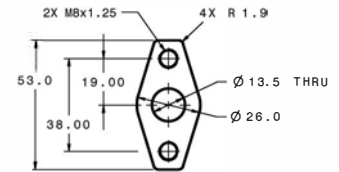


Turbine Outlet

"5 BOLT"

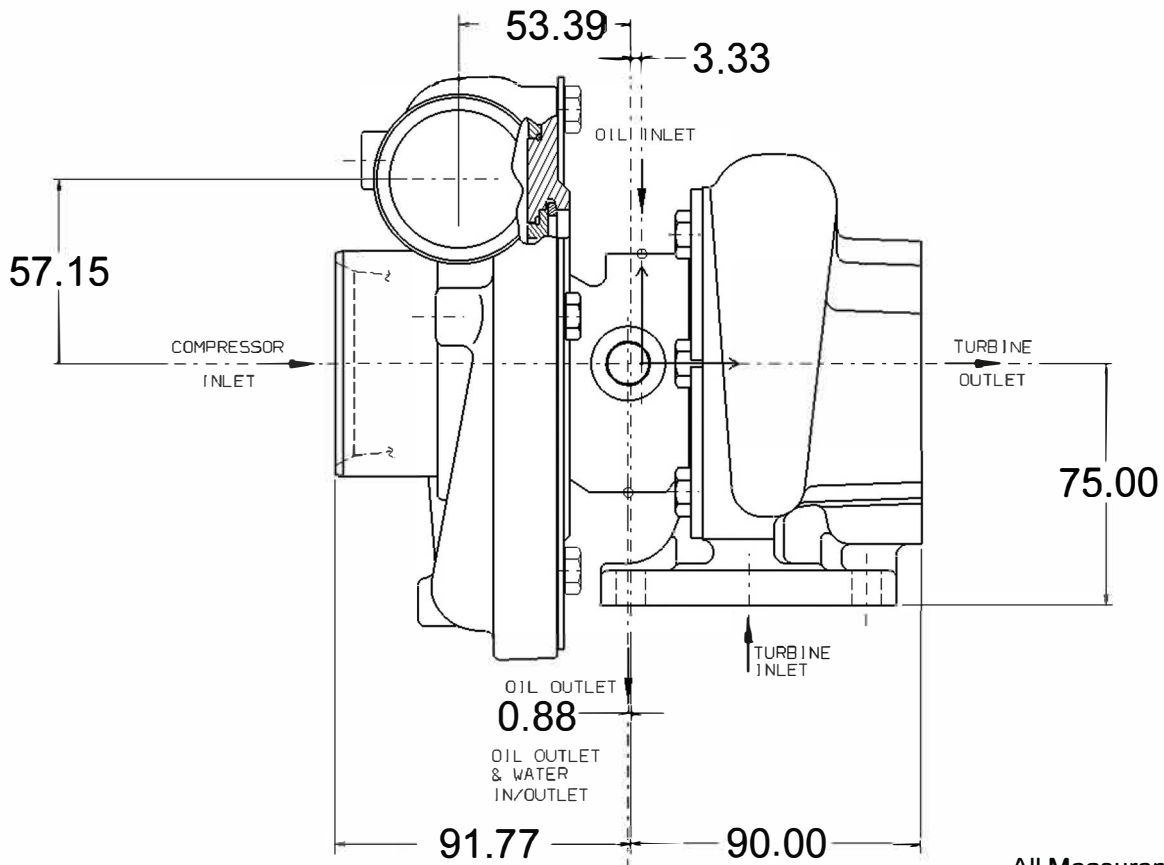


Oil Outlet



Water

M14 x 1.50

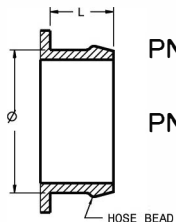


All Measurements in MM

Honeywell Garrett GT3071R

Compressor Inlet

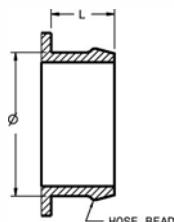
HOSE CONNECTIONS
TABULATED AS (\varnothing x L)



PN756021-1
 \varnothing 69.85 x 31.75
PN756021-2
 \varnothing 102 x 31.75

Compressor Outlet

HOSE CONNECTIONS
TABULATED AS (\varnothing x L)



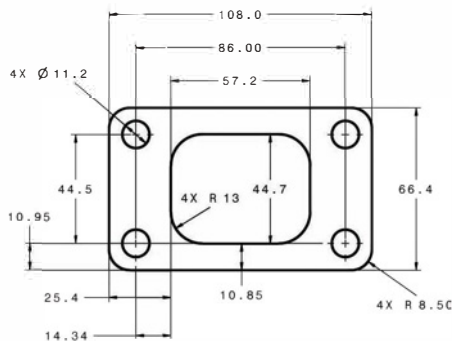
\varnothing 50.8 x 30

Oil Inlet

0.4375IN-24
THREAD FOR \varnothing 6.35 TUBE
INVERTED FLARE CONNECTION
PER SAE J512 (OIL INLET)

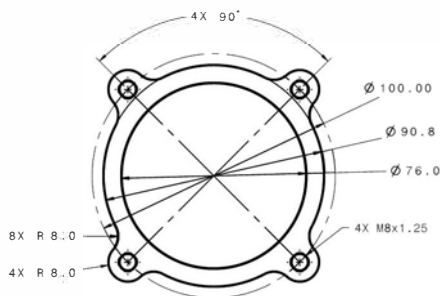
Turbine Inlet

"T3" PN74902-1, 2, 3, 7, 8, 9

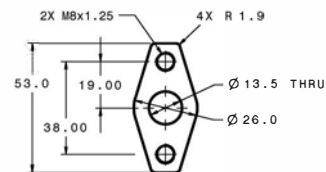


Turbine Outlet

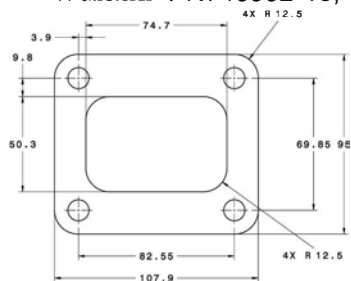
"3-INCH 4 BOLT" PN740902-1, 2, 3



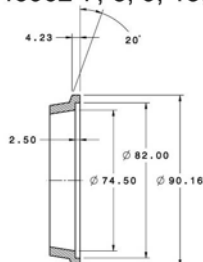
Oil Outlet



"T4 UNDIVIDED" PN740902-13, 14, 15

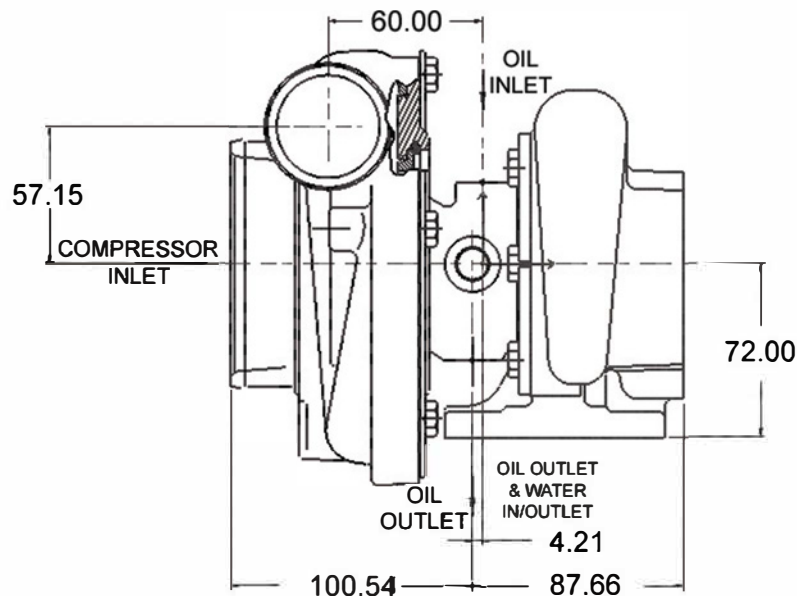


PN740902-7, 8, 9, 13, 14, 15



Water

M14 x 1.50



All Measurements in MM