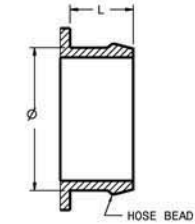


40 Compressor Inlet

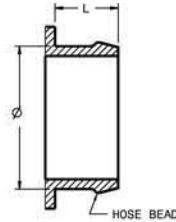
HOSE CONNECTIONS
TABULATED AS (Ø x L)



Ø 152.4 x 32

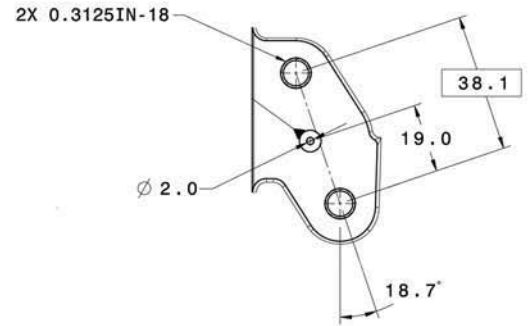
30 Compressor Outlet

HOSE CONNECTIONS
TABULATED AS (Ø x L)



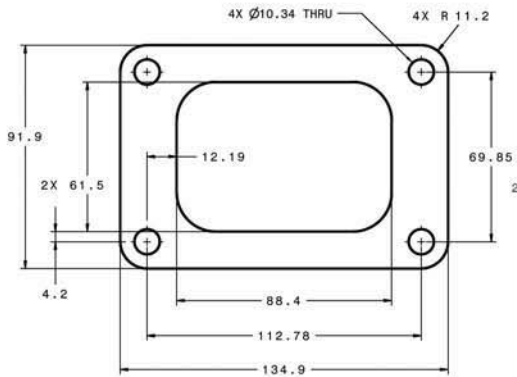
Ø 88.9 x 32

20 Oil Inlet

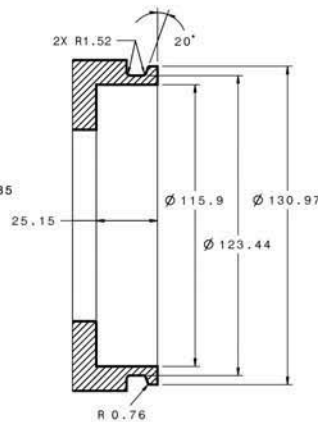


N/A Turbine Inlet

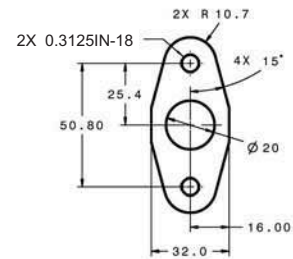
"SMALL FRAME DIESEL"



N/A Turbine Outlet



21 Oil Outlet



N/A Water
Not Applicable

