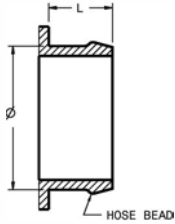


Honeywell Garrett GT3582R

Compressor Inlet

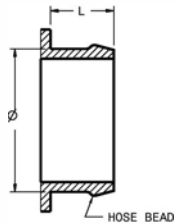
HOSE CONNECTIONS
TABULATED AS (\varnothing x L)



\varnothing 103.6 x 31.75

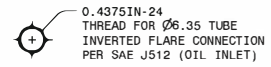
Compressor Outlet

HOSE CONNECTIONS
TABULATED AS (\varnothing x L)



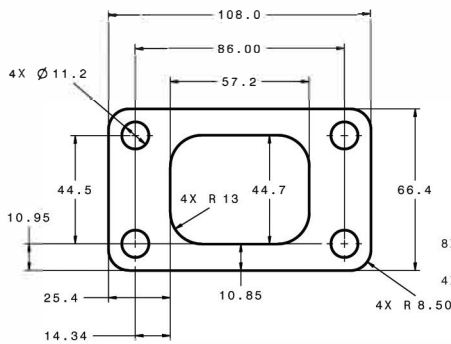
\varnothing 63.5 x 30

Oil Inlet



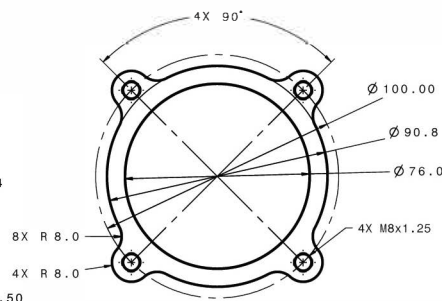
Turbine Inlet

"T3" PN740902-4, 5, 6, 10, 11, 12

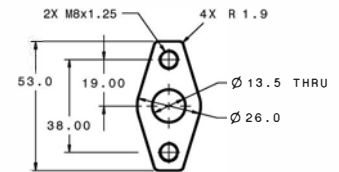


Turbine Outlet

"3-INCH 4 BOLT" PN740902-4, 5, 6



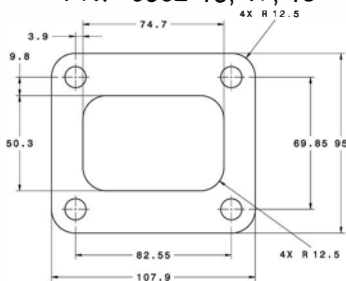
Oil Outlet



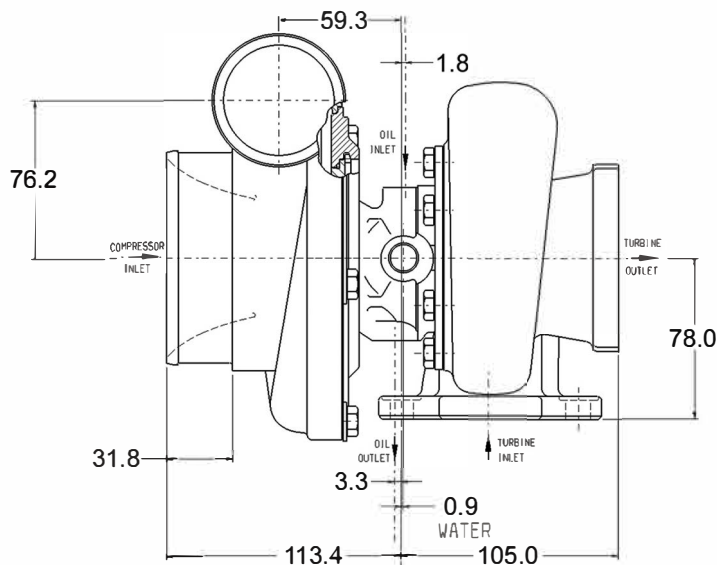
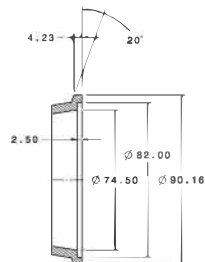
Water

M14 x 1.50

"T4 UNDIVIDED" PN740902-16, 17, 18



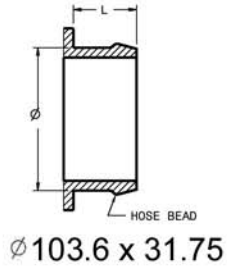
PN740902-10, 11, 12, 13, 14, 15, 16



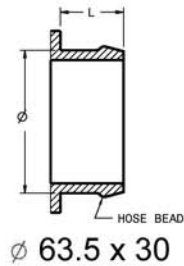
All Measurements in MM

Honeywell Garrett GT3582R

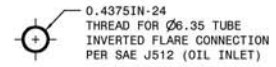
33 Compressor Inlet
HOSE CONNECTIONS
TABULATED AS (\varnothing x L)



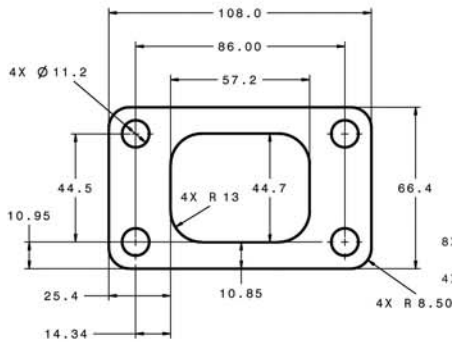
24 Compressor Outlet
HOSE CONNECTIONS
TABULATED AS (\varnothing x L)



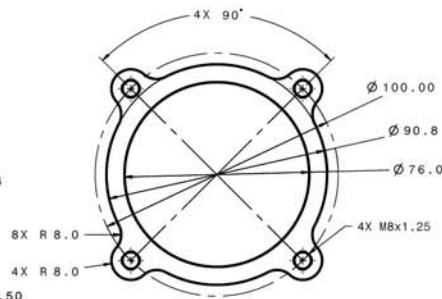
11 Oil Inlet



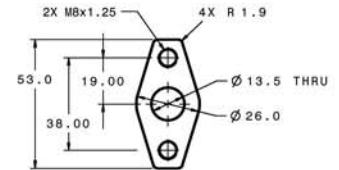
04 Turbine Inlet
"T3" PN740902-4, 5, 6, 10, 11, 12



N/A Turbine Outlet
"3-INCH 4 BOLT" PN740902-4, 5, 6



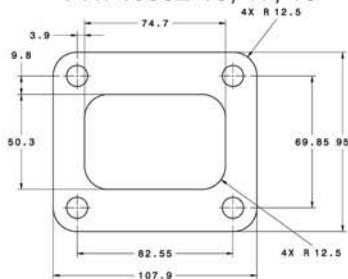
18 Oil Outlet



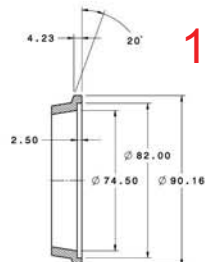
13 Water
M14 x 1.50

"T4 UNDIVIDED" PN740902-16, 17, 18

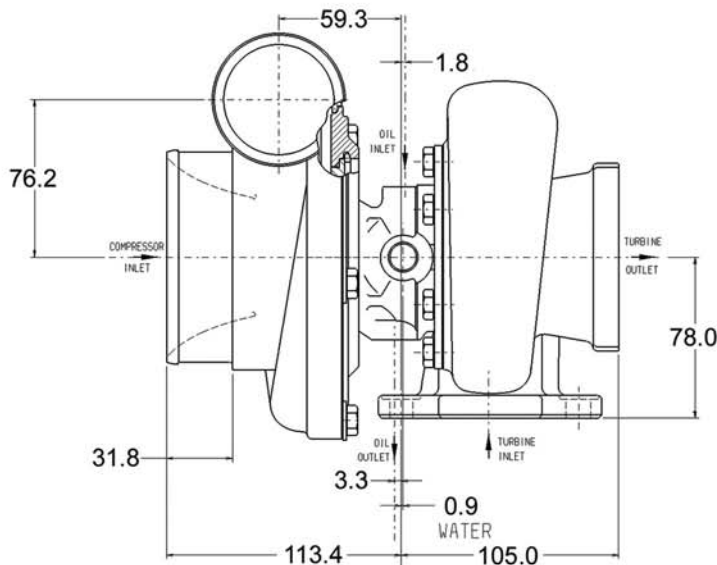
N/A



PN740902-10, 11, 12, 13, 14, 15, 16



13

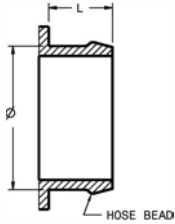


All Measurements in MM

Honeywell Garrett GT3582R

Compressor Inlet

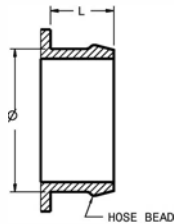
HOSE CONNECTIONS
TABULATED AS (Ø x L)



Ø 101.6 x 31.75

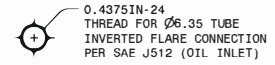
Compressor Outlet

HOSE CONNECTIONS
TABULATED AS (Ø x L)



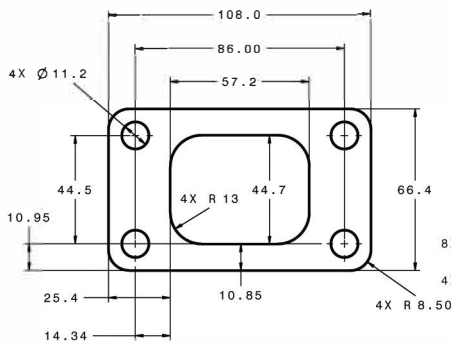
Ø 63.5 x 30

Oil Inlet



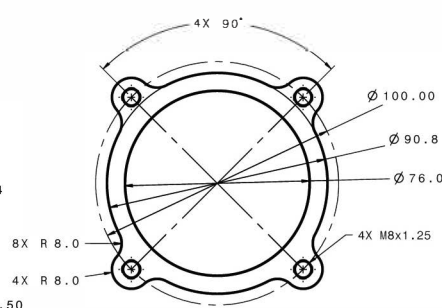
Turbine Inlet

"T3" PN740902-4, 5, 6, 10, 11, 12

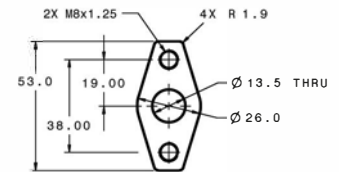


Turbine Outlet

"3-INCH 4 BOLT" PN740902-4, 5, 6



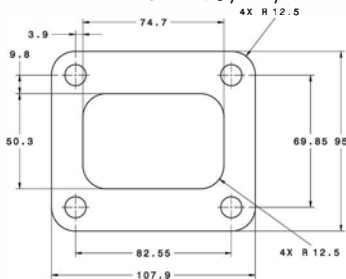
Oil Outlet



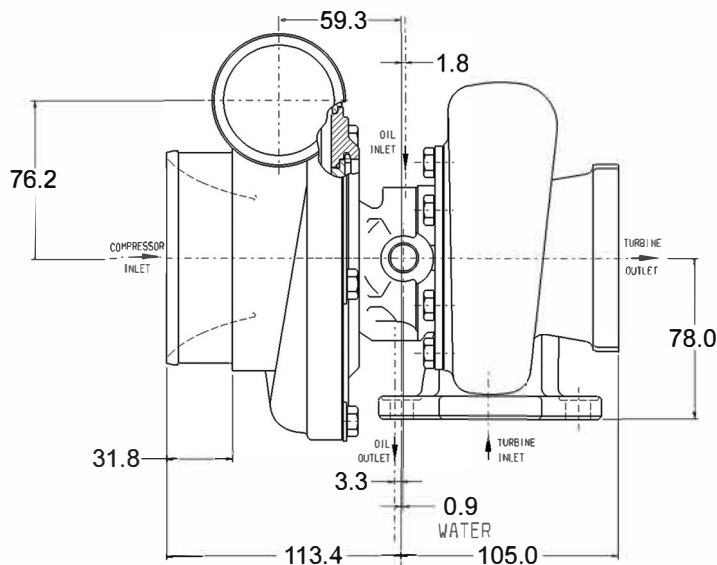
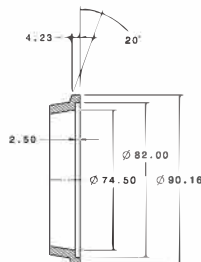
Water

M14 x 1.50

"T4 UNDIVIDED" PN740902-16, 17, 18



PN740902-10, 11, 12, 13, 14, 15, 16



All Measurements in MM