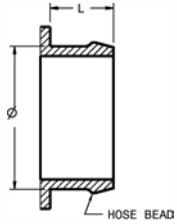


# Honeywell Garrett GT2860RS

## Compressor Inlet

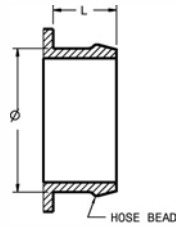
HOSE CONNECTIONS  
TABULATED AS ( $\varnothing$  x L)



$\varnothing$  76.2 x 31.75

## Compressor Outlet

HOSE CONNECTIONS  
TABULATED AS ( $\varnothing$  x L)



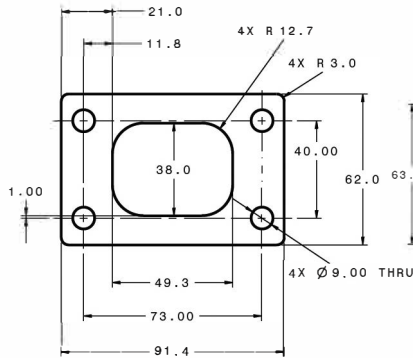
$\varnothing$  51 x 30

## Oil Inlet

0.4375IN-24  
THREAD FOR  $\varnothing$ 6.35 TUBE  
INVERTED FLARE CONNECTION  
PER SAE J512 (OIL INLET)

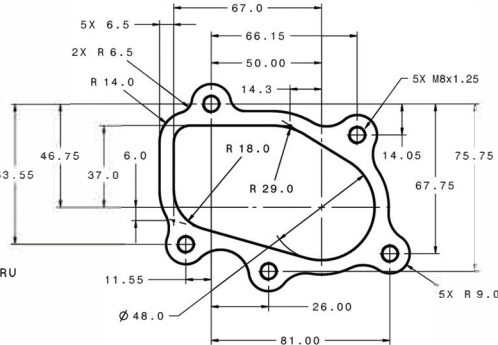
## Turbine Inlet

"T25"

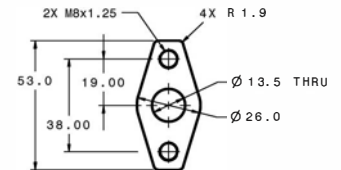


## Turbine Outlet

"5 BOLT"

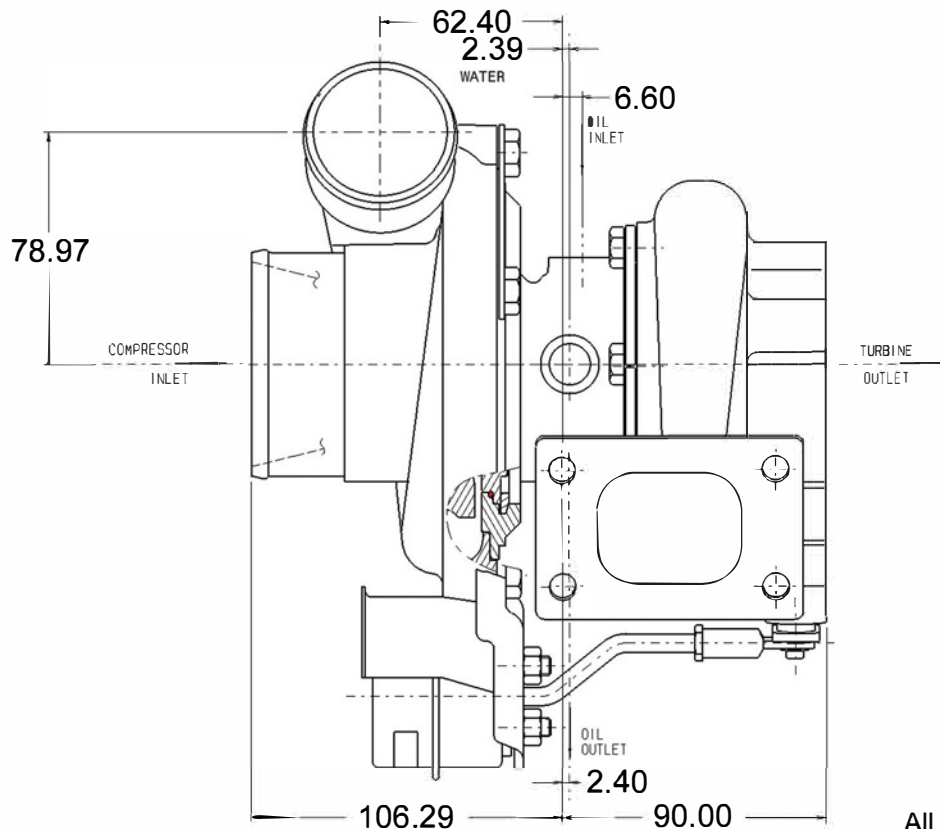


## Oil Outlet



Water

M14 x 1.50



All Measurements in MM