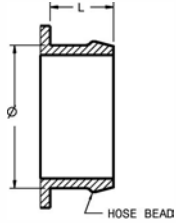


Honeywell Garrett GT2554R

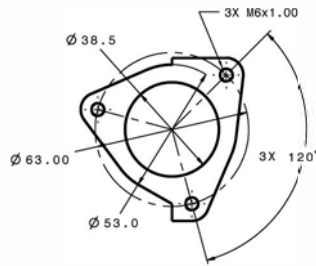
Compressor Inlet

HOSE CONNECTIONS
TABULATED AS (Ø x L)



Ø 60 x 30

Compressor Outlet

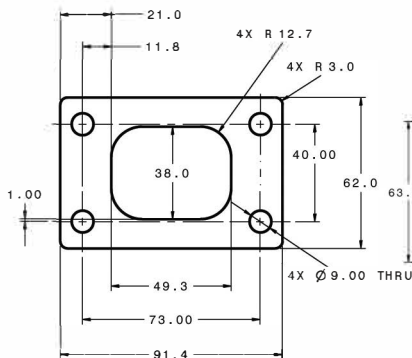


Oil Inlet

0.4375IN-24
THREAD FOR Ø6.35 TUBE
INVERTED FLARE CONNECTION
PER SAE J512 (OIL INLET)

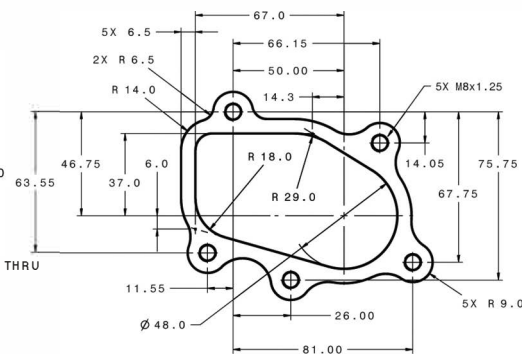
Turbine Inlet

"T25"

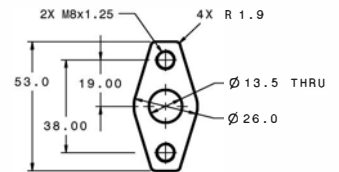


Turbine Outlet

"5 BOLT"

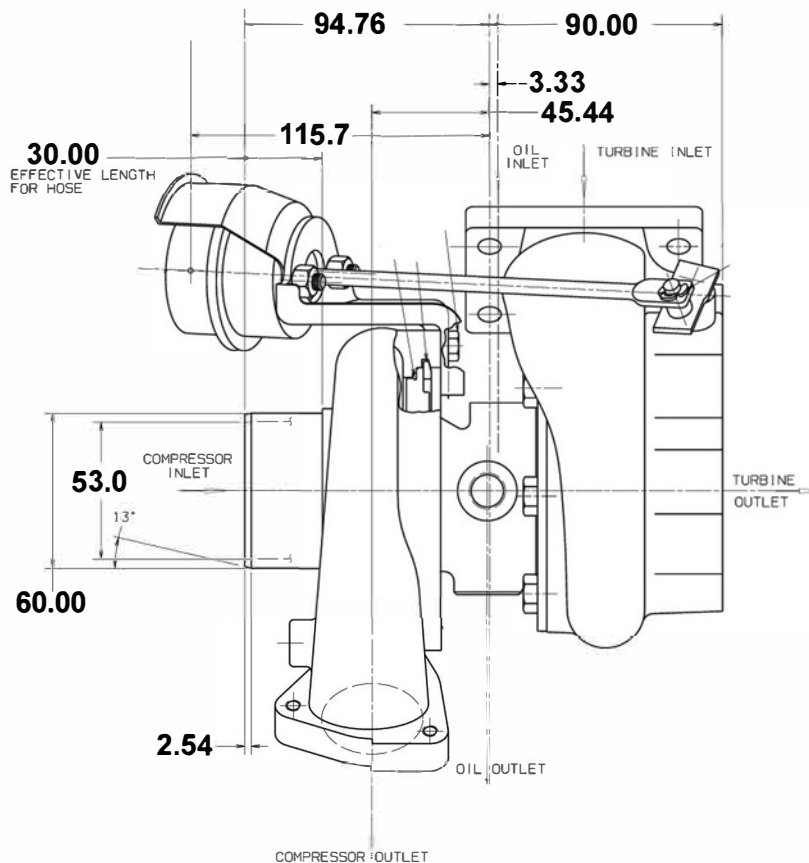


Oil Outlet



Water

M14 x 1.50



All Measurements in MM