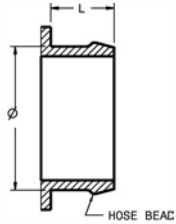


# Honeywell Garrett GT4088

## Compressor Inlet

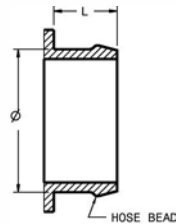
HOSE CONNECTIONS  
TABULATED AS (Ø x L)



Ø 101.6 x 25.0

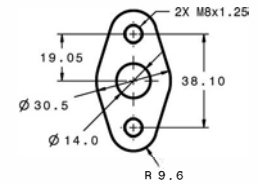
## Compressor Outlet

HOSE CONNECTIONS  
TABULATED AS (Ø x L)



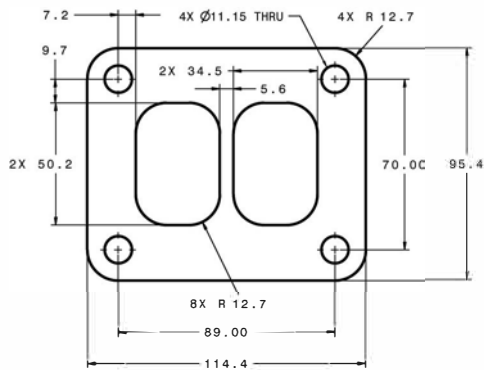
Ø 65 x 32

## Oil Inlet

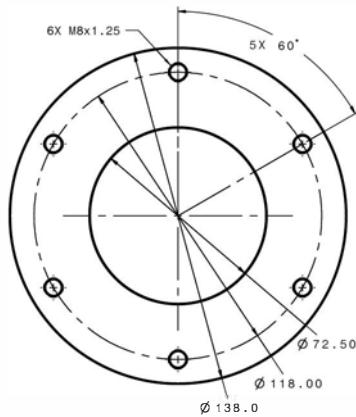


## Turbine Inlet

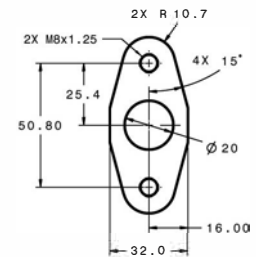
"T4I"



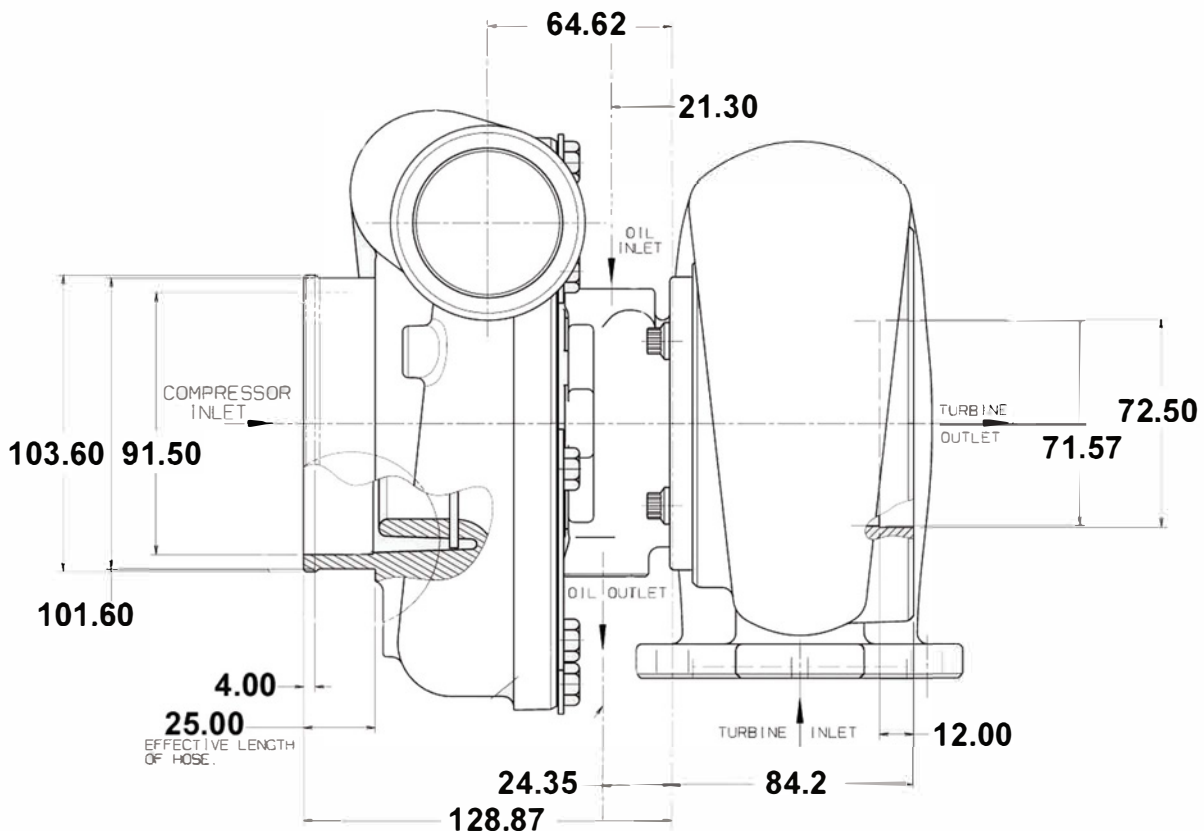
## Turbine Outlet



## Oil Outlet



Water  
Not Applicable

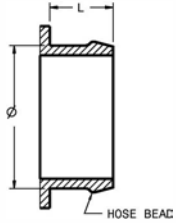


All Measurements in MM

# Honeywell Garrett GT4088R

## Compressor Inlet

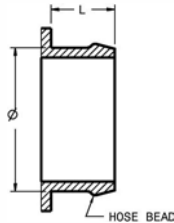
HOSE CONNECTIONS  
TABULATED AS ( $\phi$  x L)



$\phi$  101.6 x 25.0

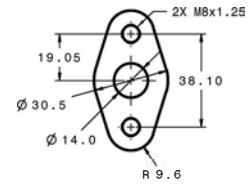
## Compressor Outlet

HOSE CONNECTIONS  
TABULATED AS ( $\phi$  x L)



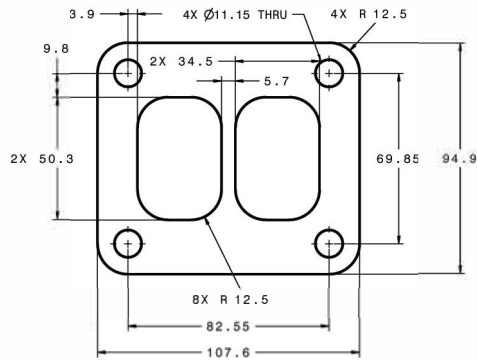
$\phi$  65 x 32

## Oil Inlet

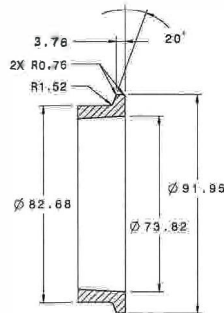


## Turbine Inlet

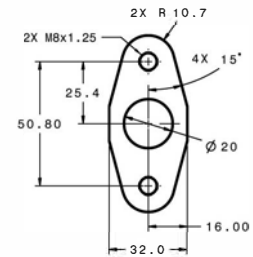
"T4 DIVIDED"



## Turbine Outlet

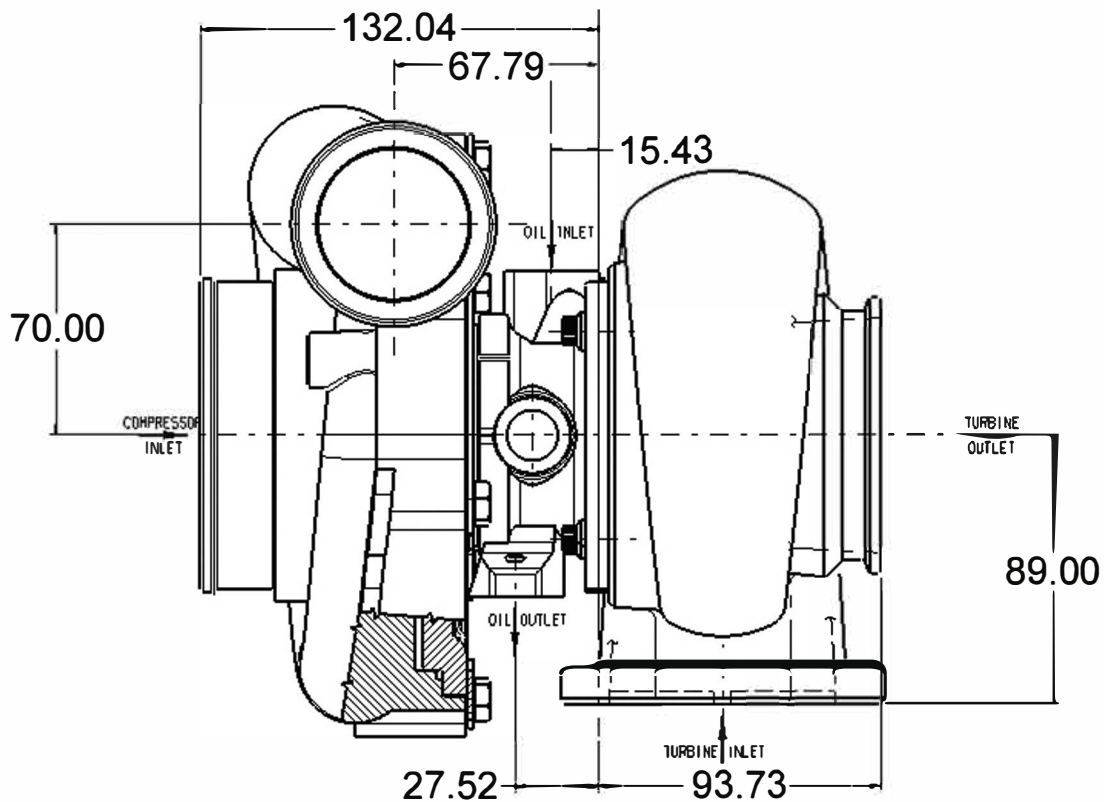


## Oil Outlet



## Water

M18 x 1.50



All Measurements in MM