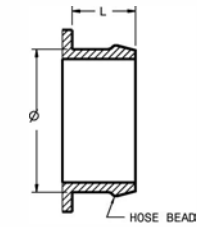


Honeywell Garrett GT4508R

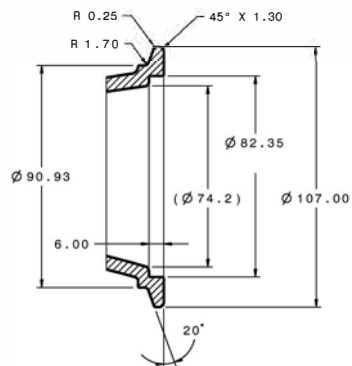
Compressor Inlet

HOSE CONNECTIONS
TABULATED AS (ϕ x L)

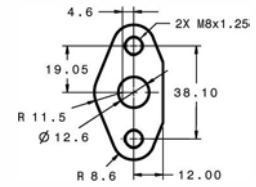


ϕ 152.4 x 32

Compressor Outlet

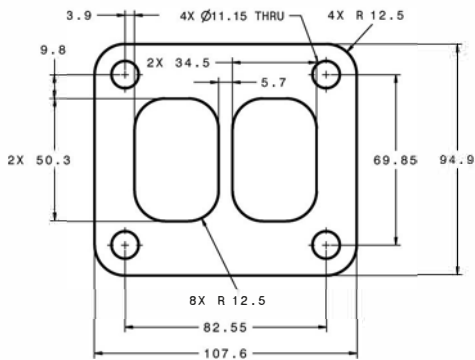


Oil Inlet

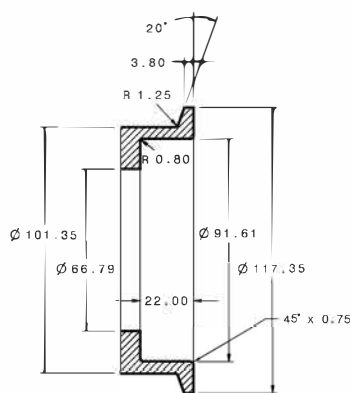


Turbine Inlet

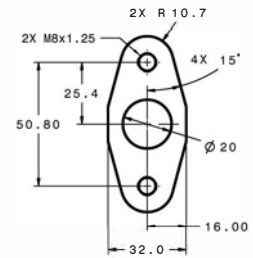
"T4 DIVIDED"



Turbine Outlet

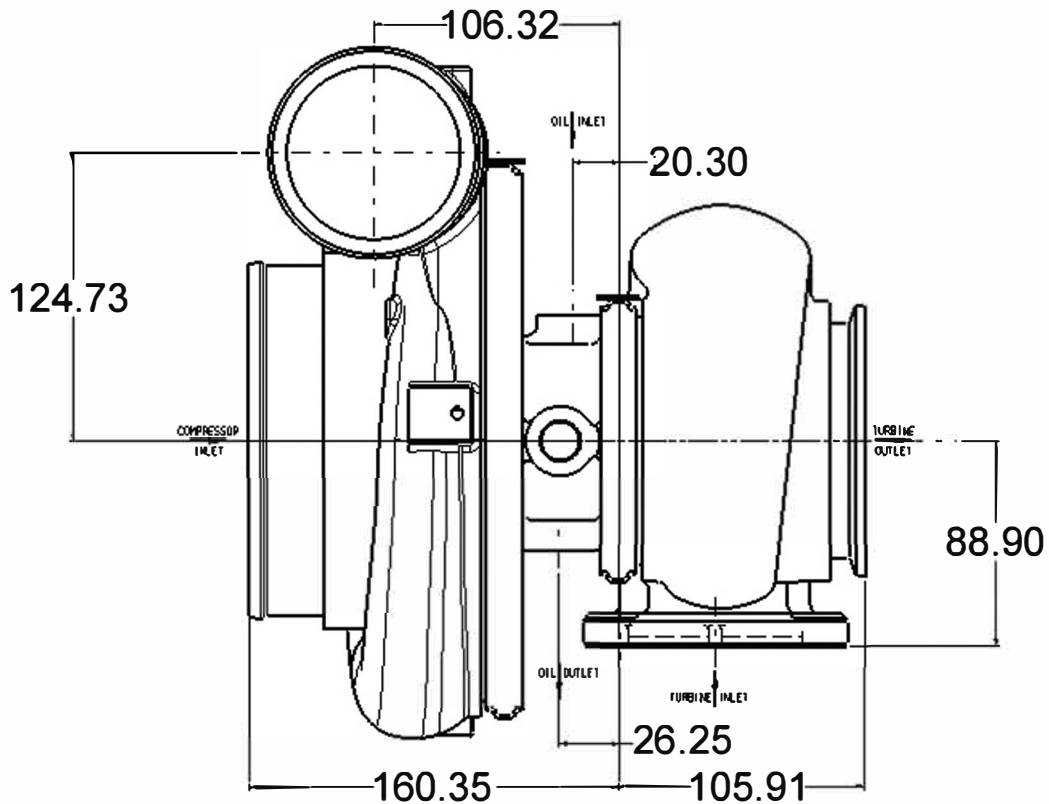


Oil Outlet



Water

M18 x 1.50



All Measurements in MM

Shop for other performance engine parts on our website.