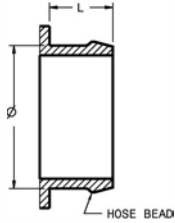


# Honeywell Garrett® GT2252

## Compressor Inlet

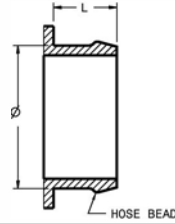
HOSE CONNECTIONS  
TABULATED AS (∅ x L)



∅ 60 x 25

## Compressor Outlet

HOSE CONNECTIONS  
TABULATED AS (∅ x L)



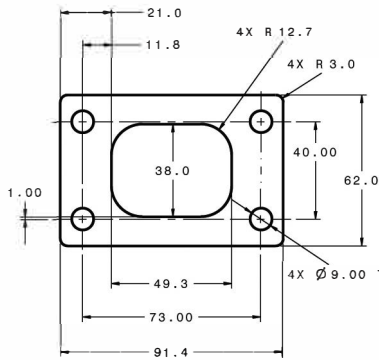
∅ 50 x 25

## Oil Inlet

Available with  
M10 x 1.0 (F)  
or  
M10 x 1.0 (M)

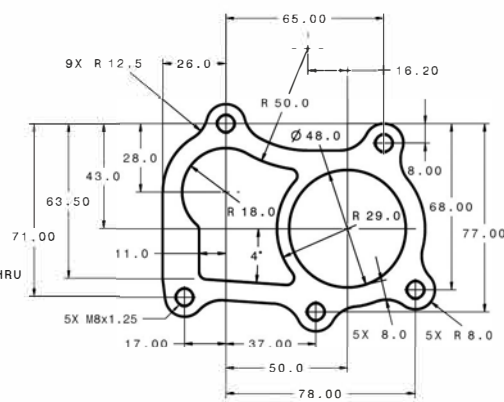
## Turbine Inlet

"T25"

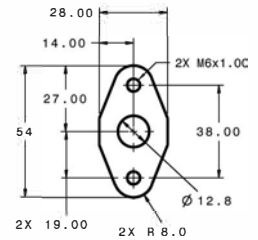


## Turbine Outlet

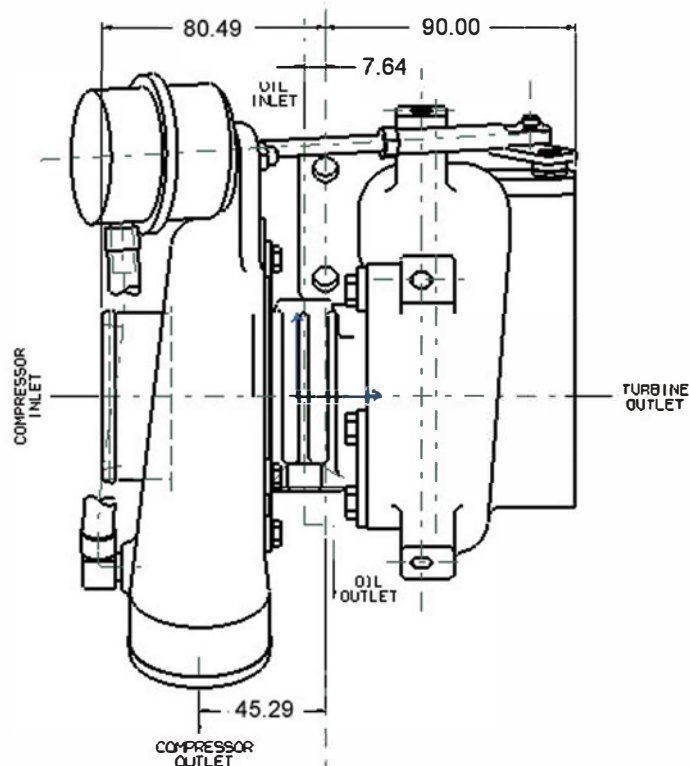
"5 BOLT"



## Oil Outlet



Water  
Not Applicable



All Measurements in MM

Shop for other performance engine parts on our website.