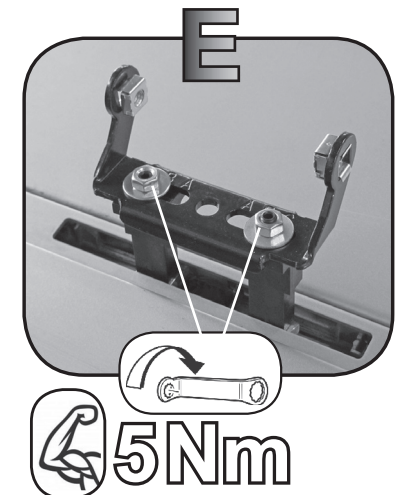
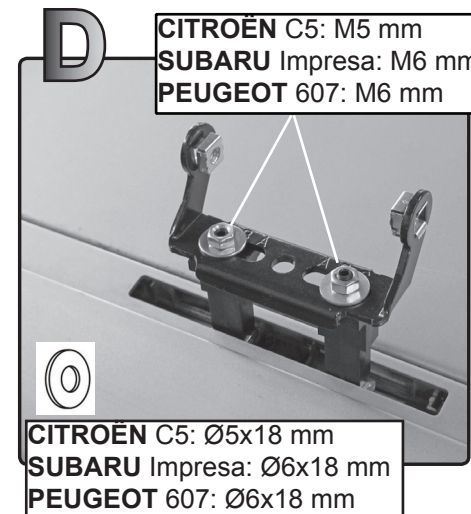
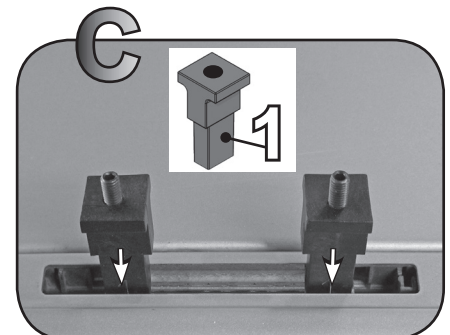
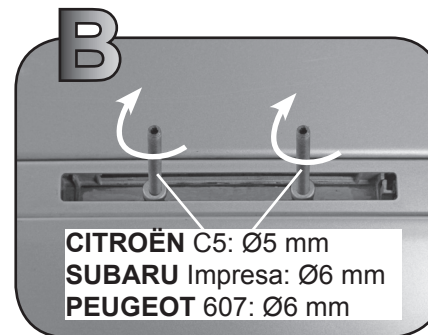
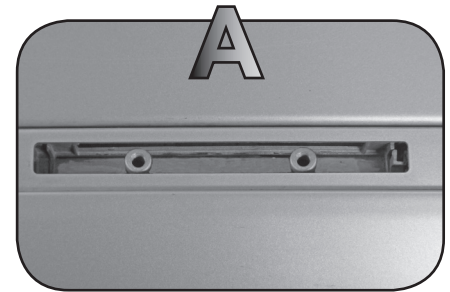
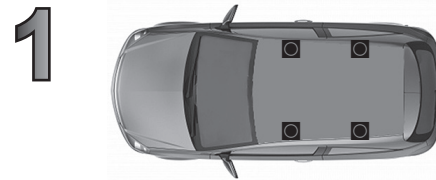


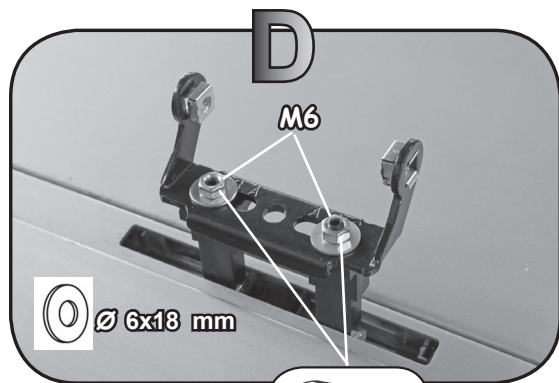
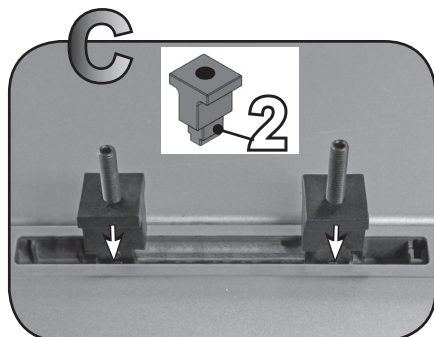
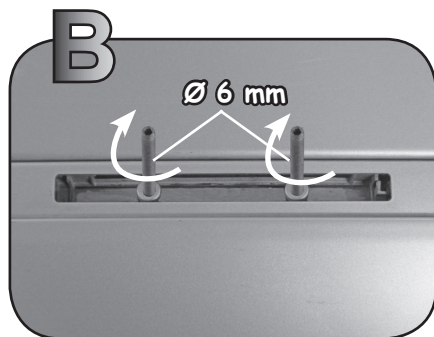
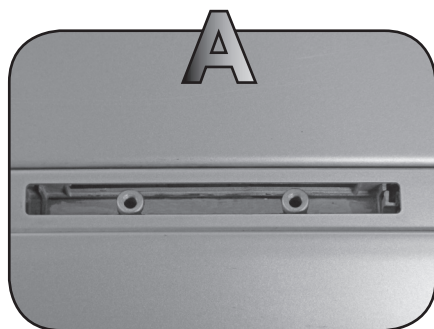
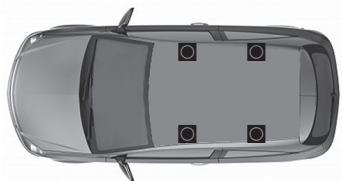
**CITROËN C5 4P (>2008), FIAT Croma 5P (>2005),
SUBARU Impreza 4P (07-14), 5P (2016>), PEUGEOT 607 4P (1999>).**

**CITROËN C5 4P (>2008)
SUBARU Impreza 5P (2016>)
PEUGEOT 607 4P (1999>)**

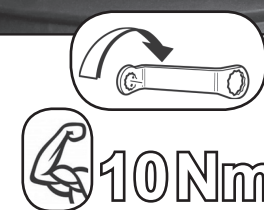
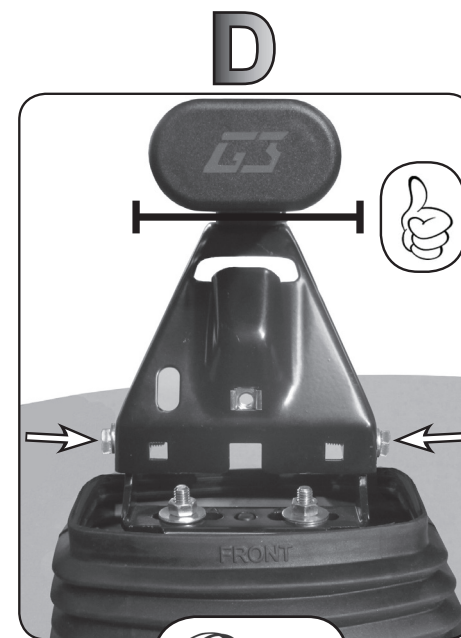
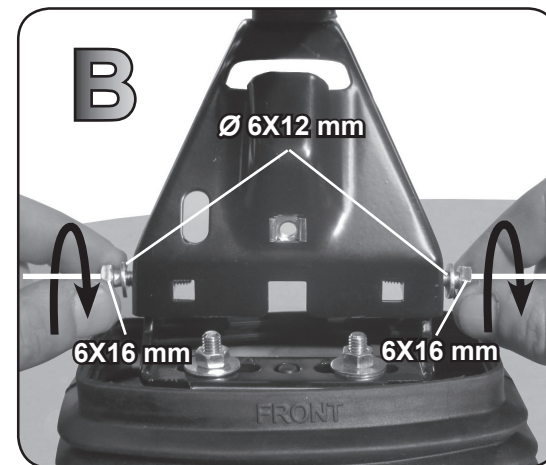
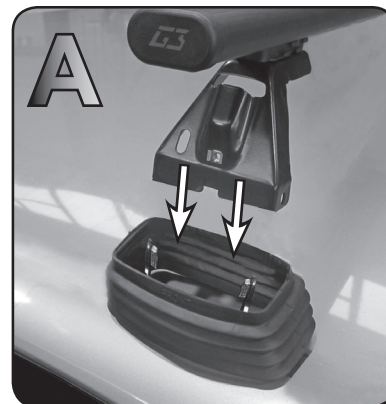


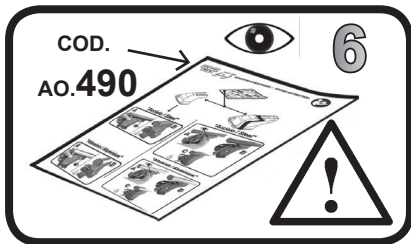
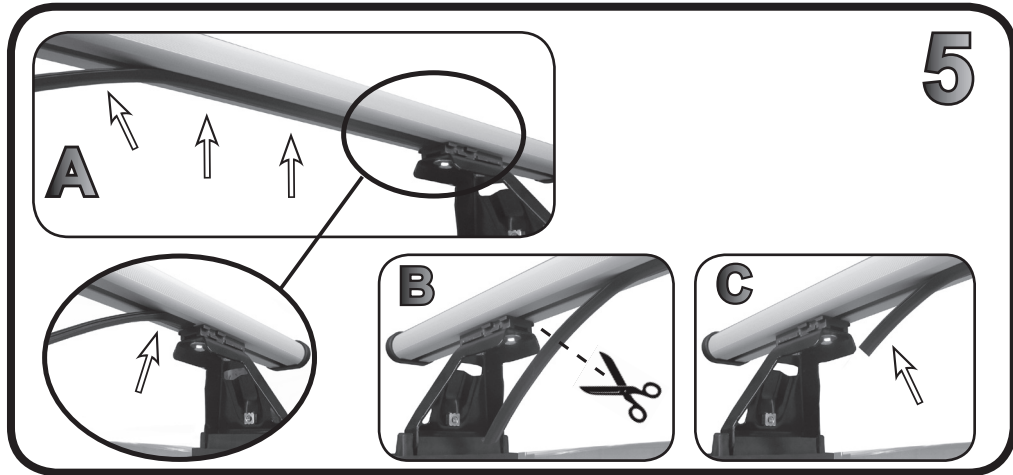
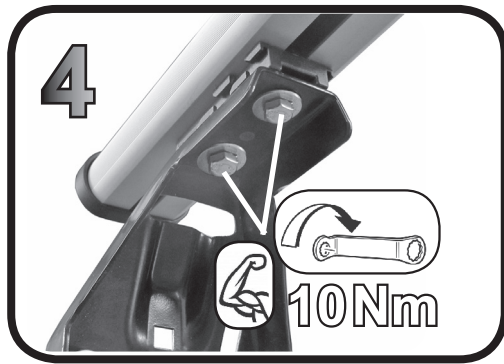
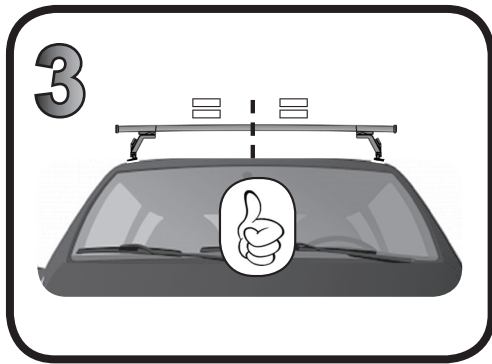
1 Bis

FIAT Croma 5P (>2005)
SUBARU Impresa 4P (07-14)



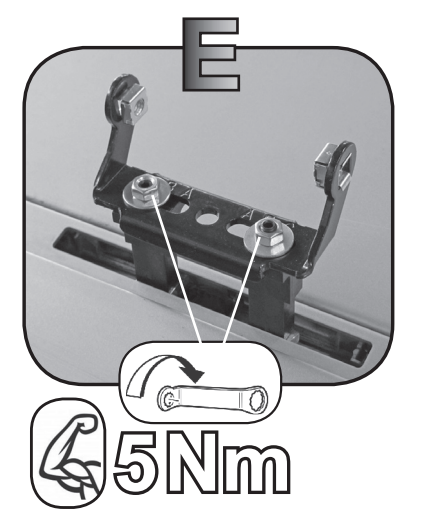
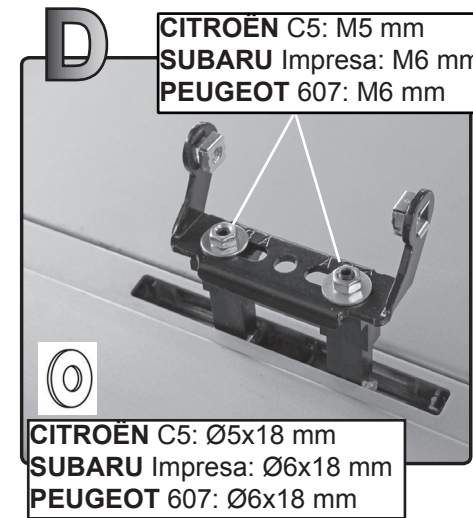
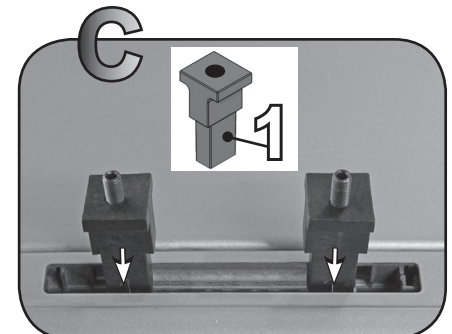
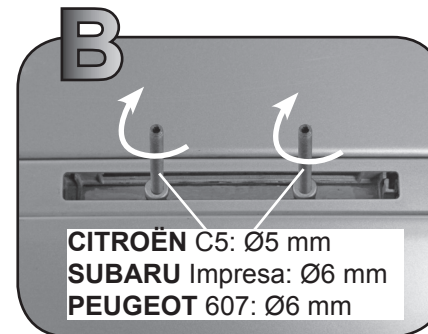
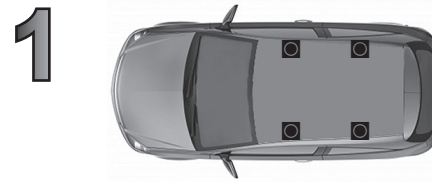
2





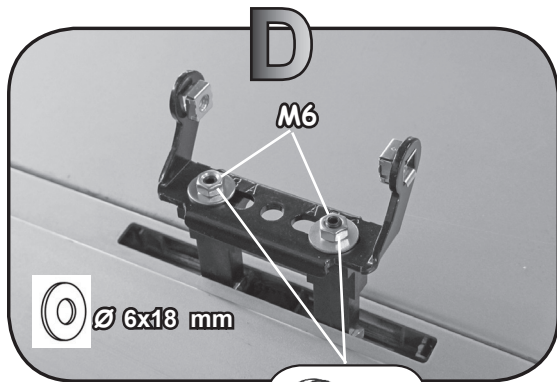
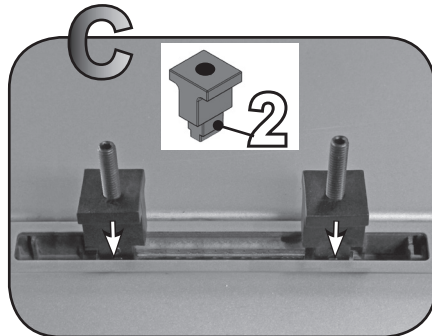
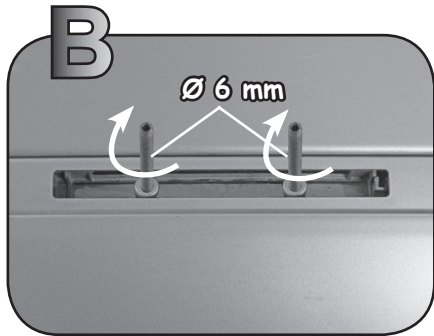
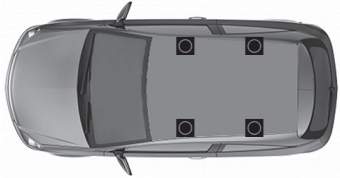
**CITROËN C5 4P (>2008), FIAT Croma 5P (>2005),
 SUBARU Impreza 4P (07-14), 5P (2016>), PEUGEOT 607 4P
 (1999>).**

**CITROËN C5 4P (>2008)
 SUBARU Impreza 5P (2016>)
 PEUGEOT 607 4P (1999>)**

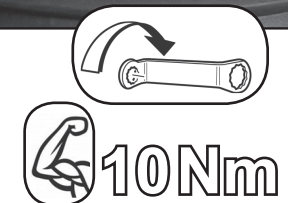
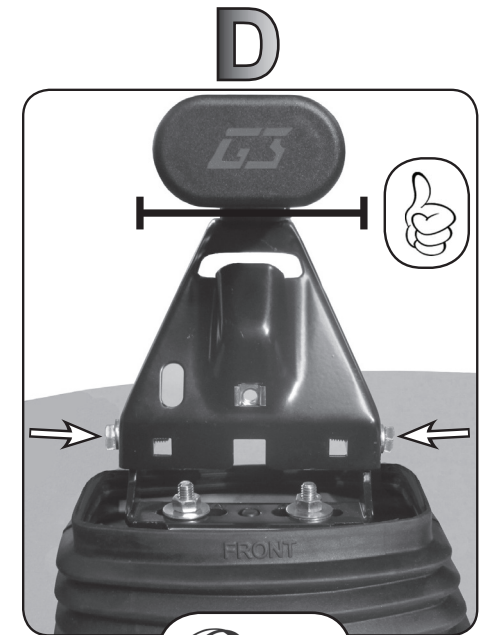
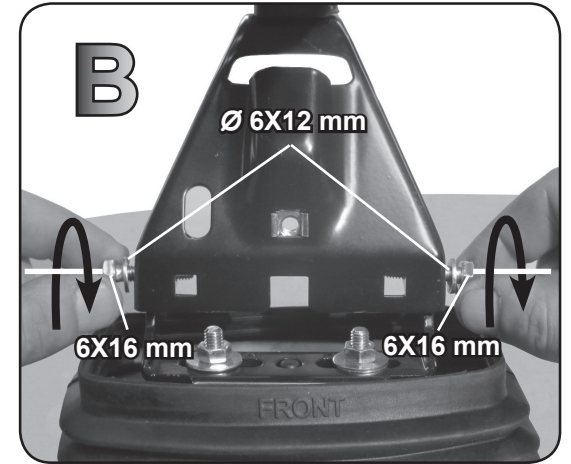
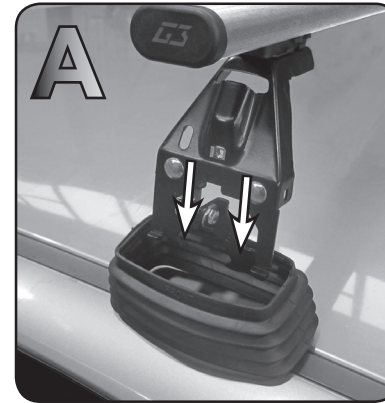


1 Bis

FIAT Croma 5P (>2005)
SUBARU Impresa 4P (07-14)



2



Discover other roof racks and cargo carriers on our website.