

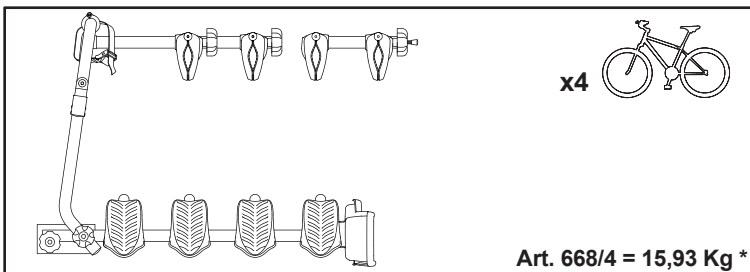
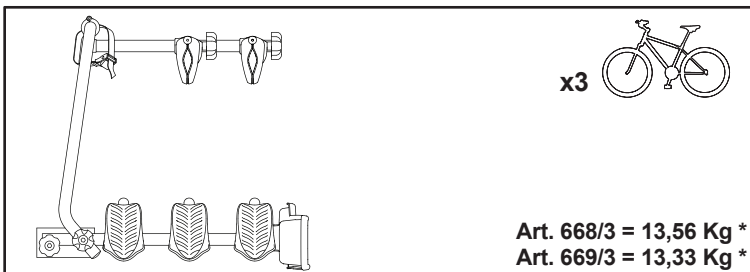
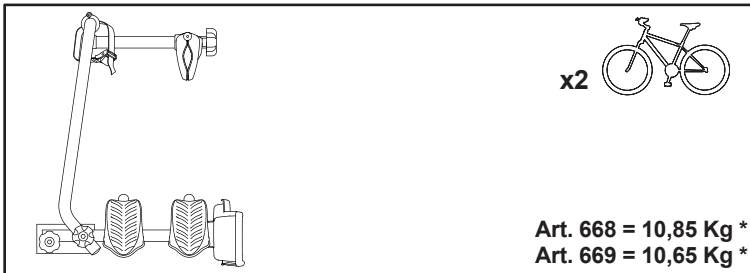
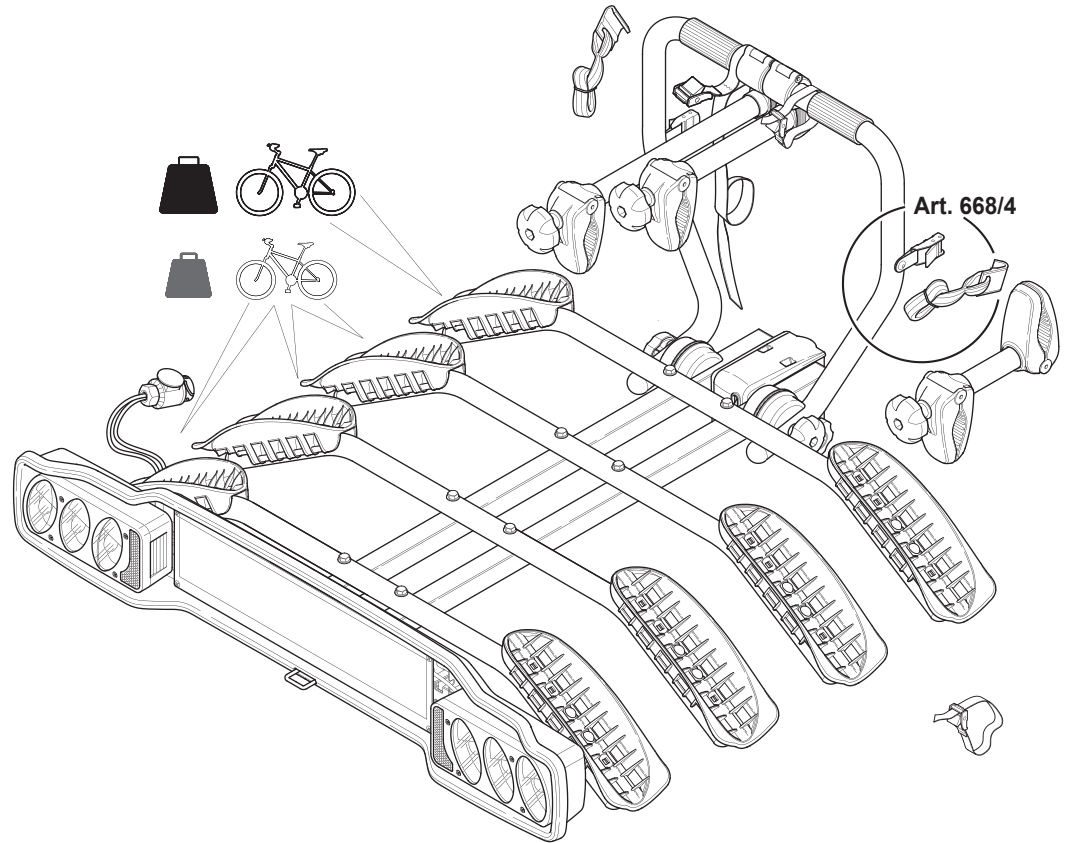
SIENA


Art. 668 - 668/3 - 668/4




Art. 669 - 669/3





THE REAR CYCLE RACK FOR MOUNTING ON TOW BAR


Fitting instructions

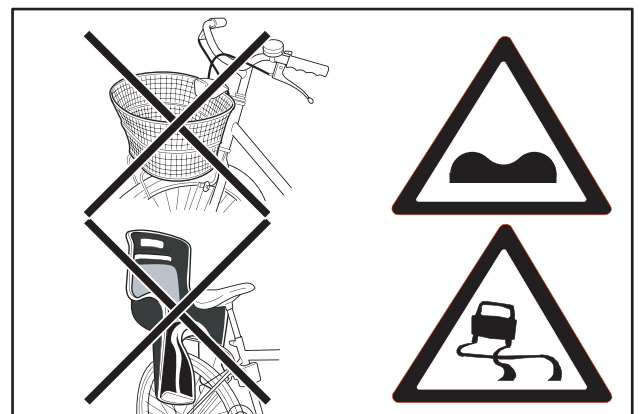


MAX load  Kg

   Car manual

 =   

 *
+
2 Bikes MAX 34 Kg
3 Bikes MAX 51 Kg
4 Bikes MAX 60 Kg



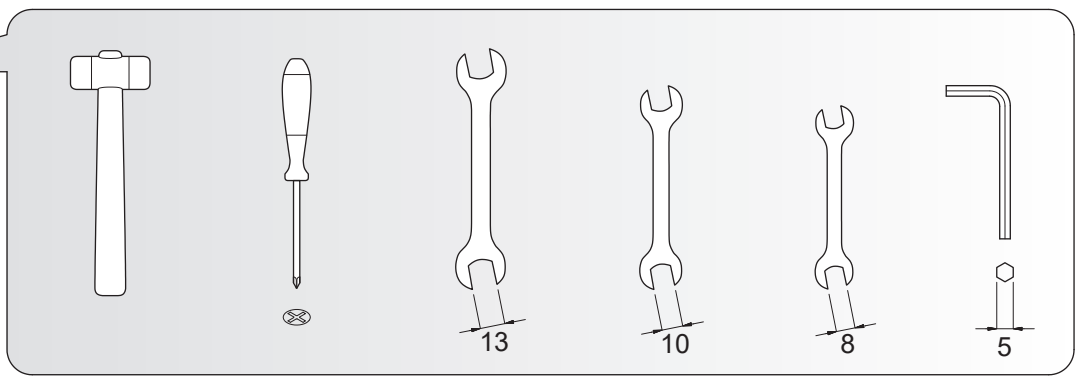
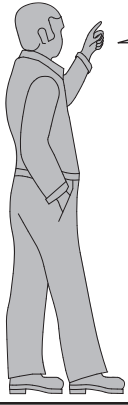


Fig. A

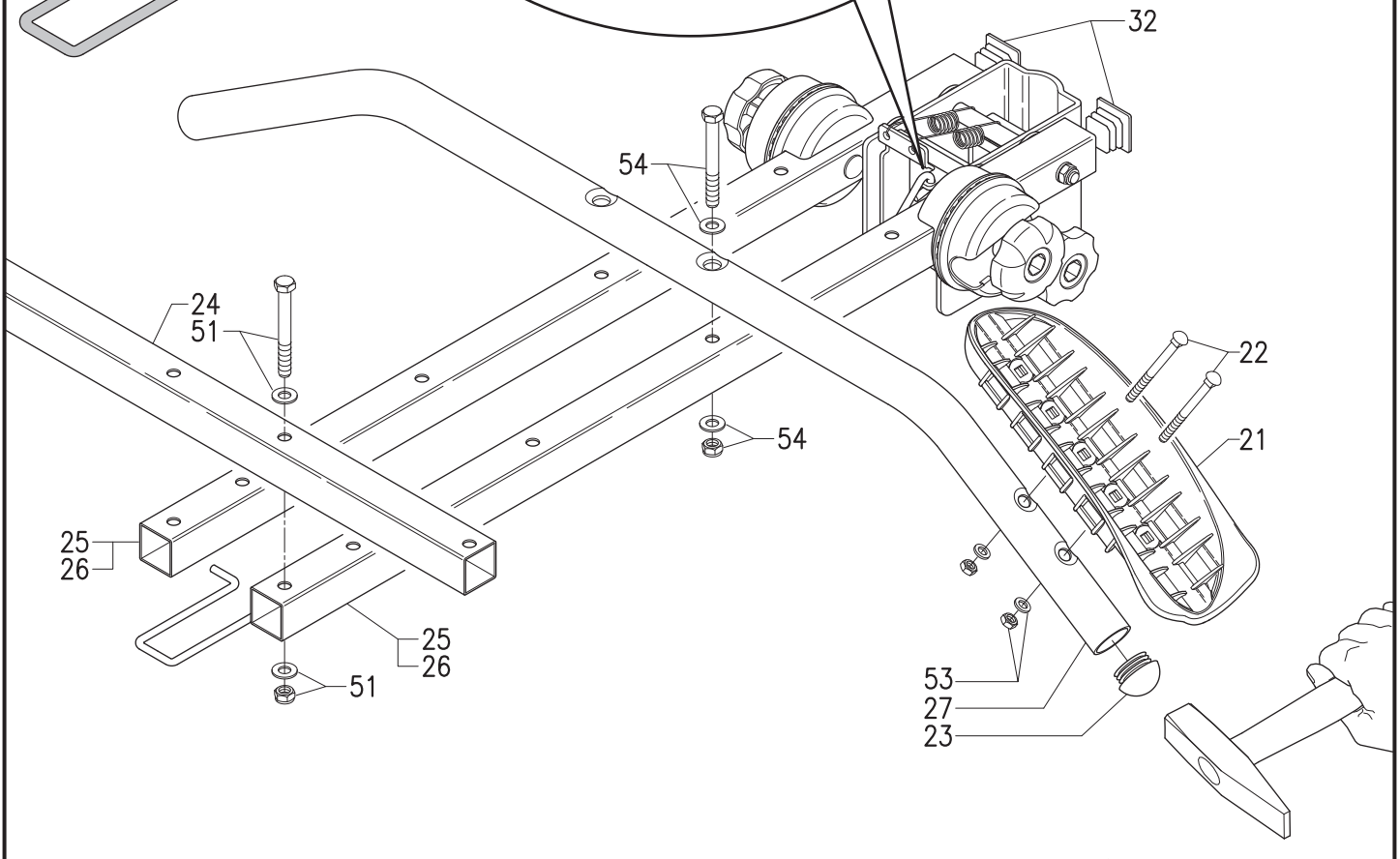
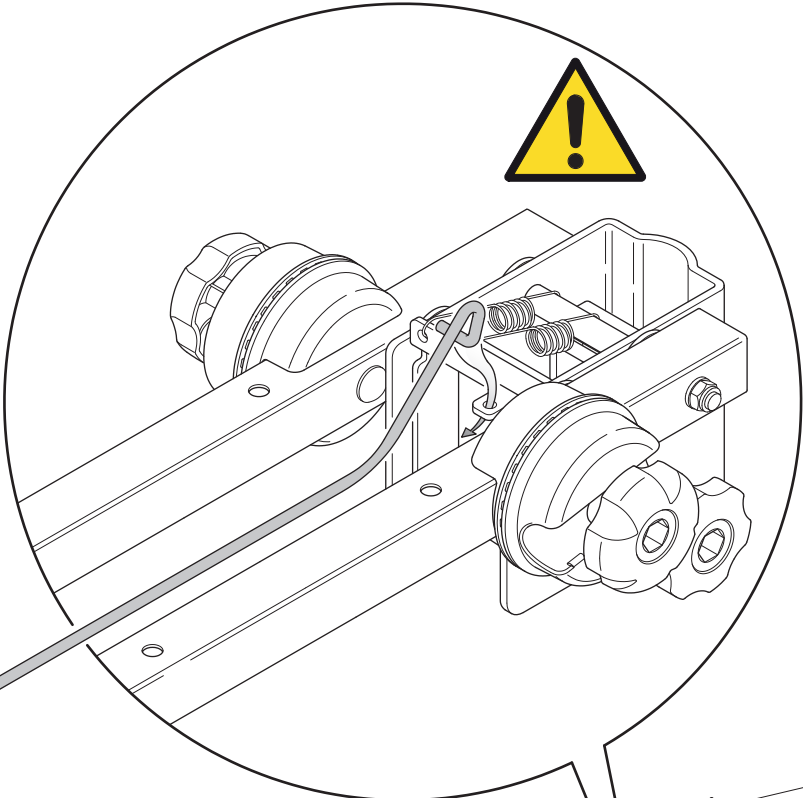


Fig. B

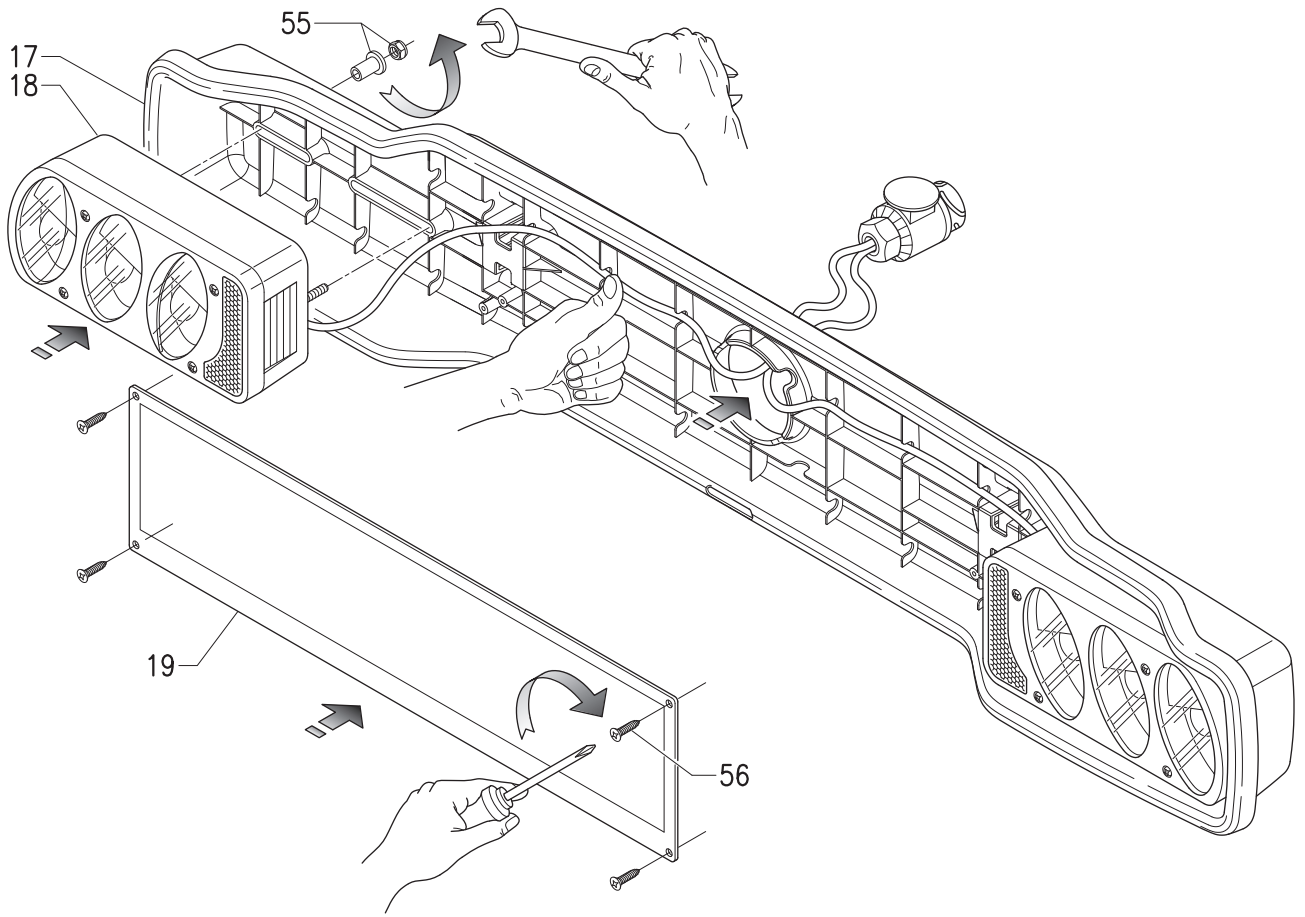


Fig. C

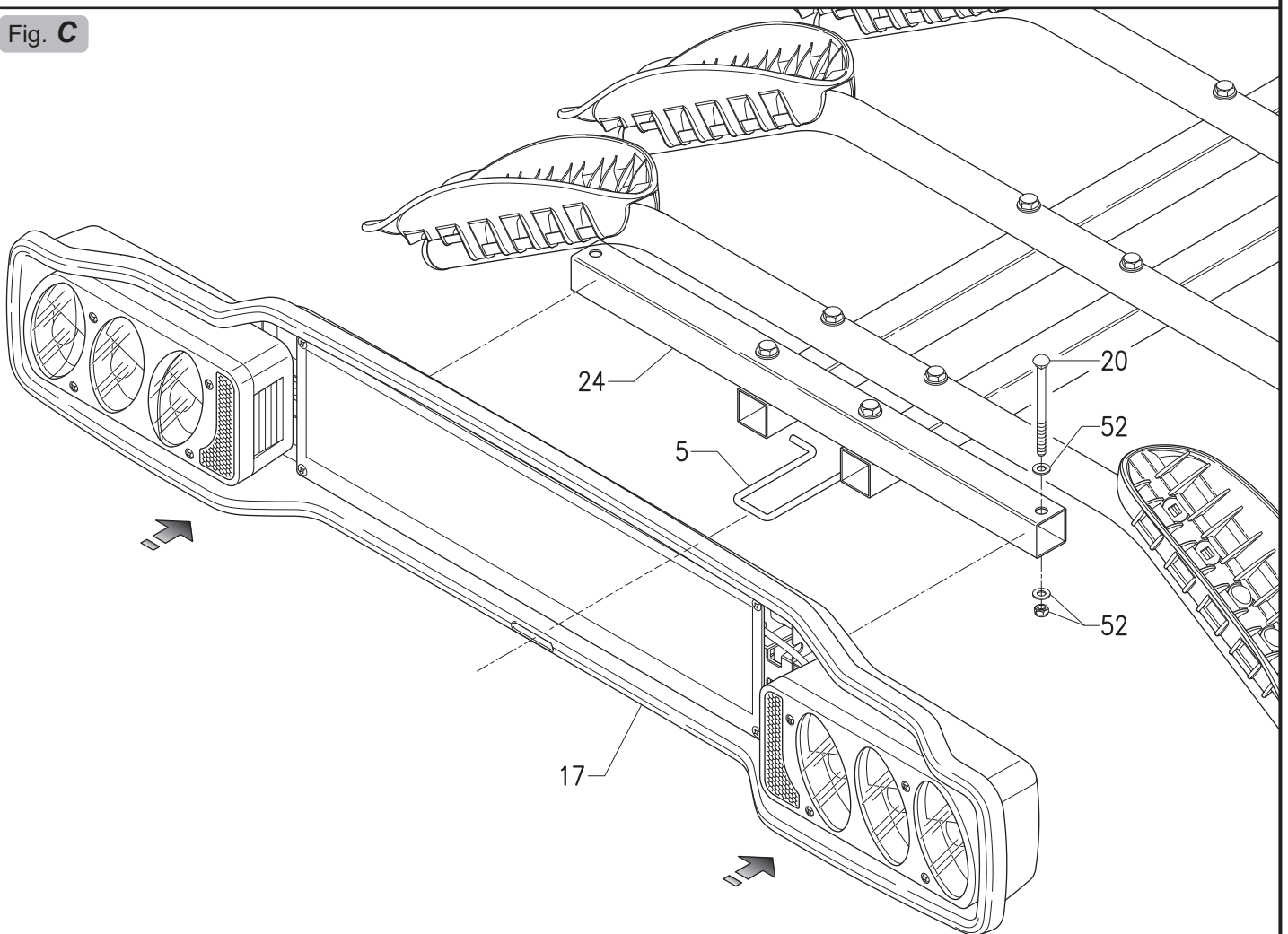


Fig. D1

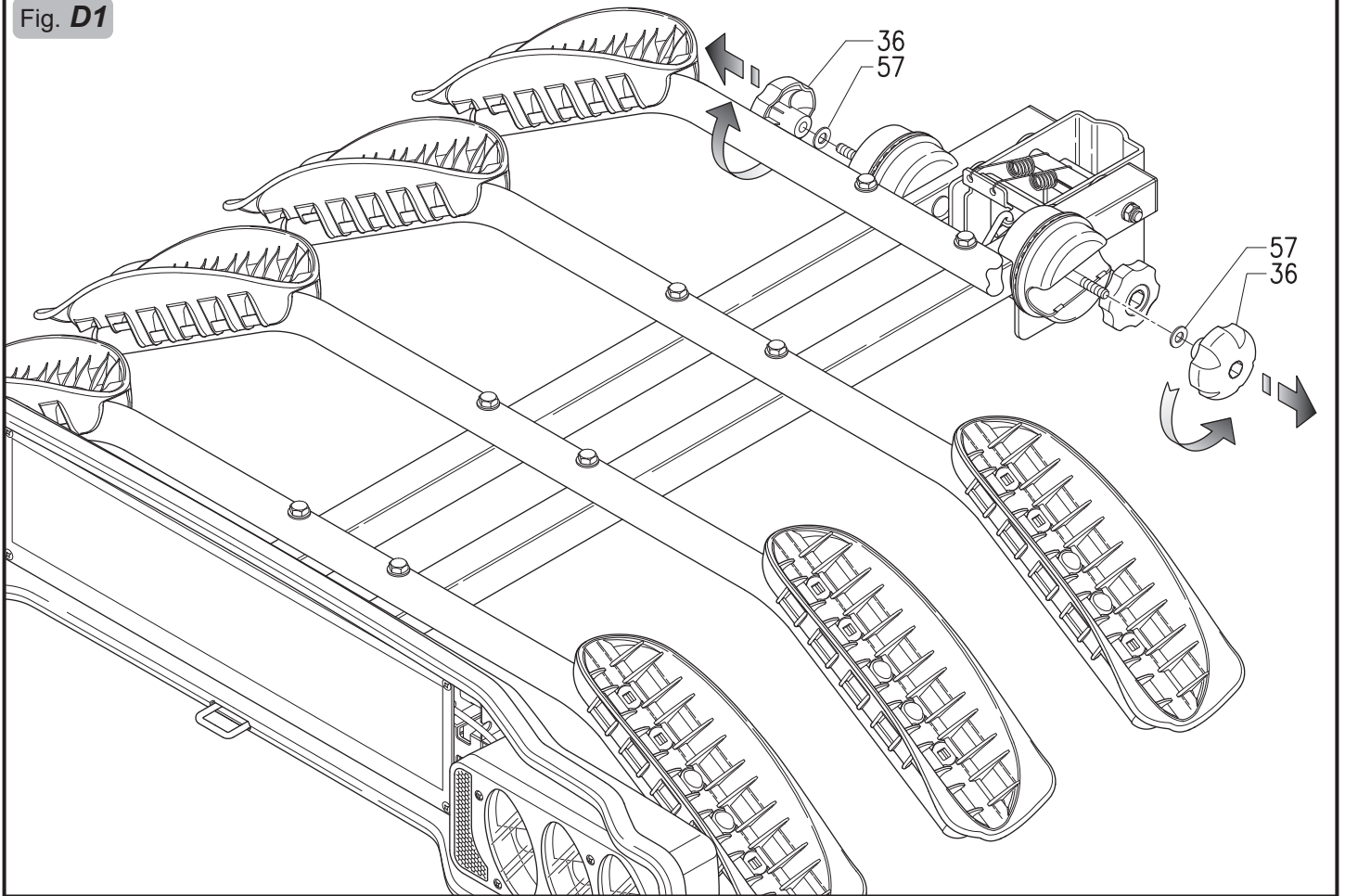


Fig. D2

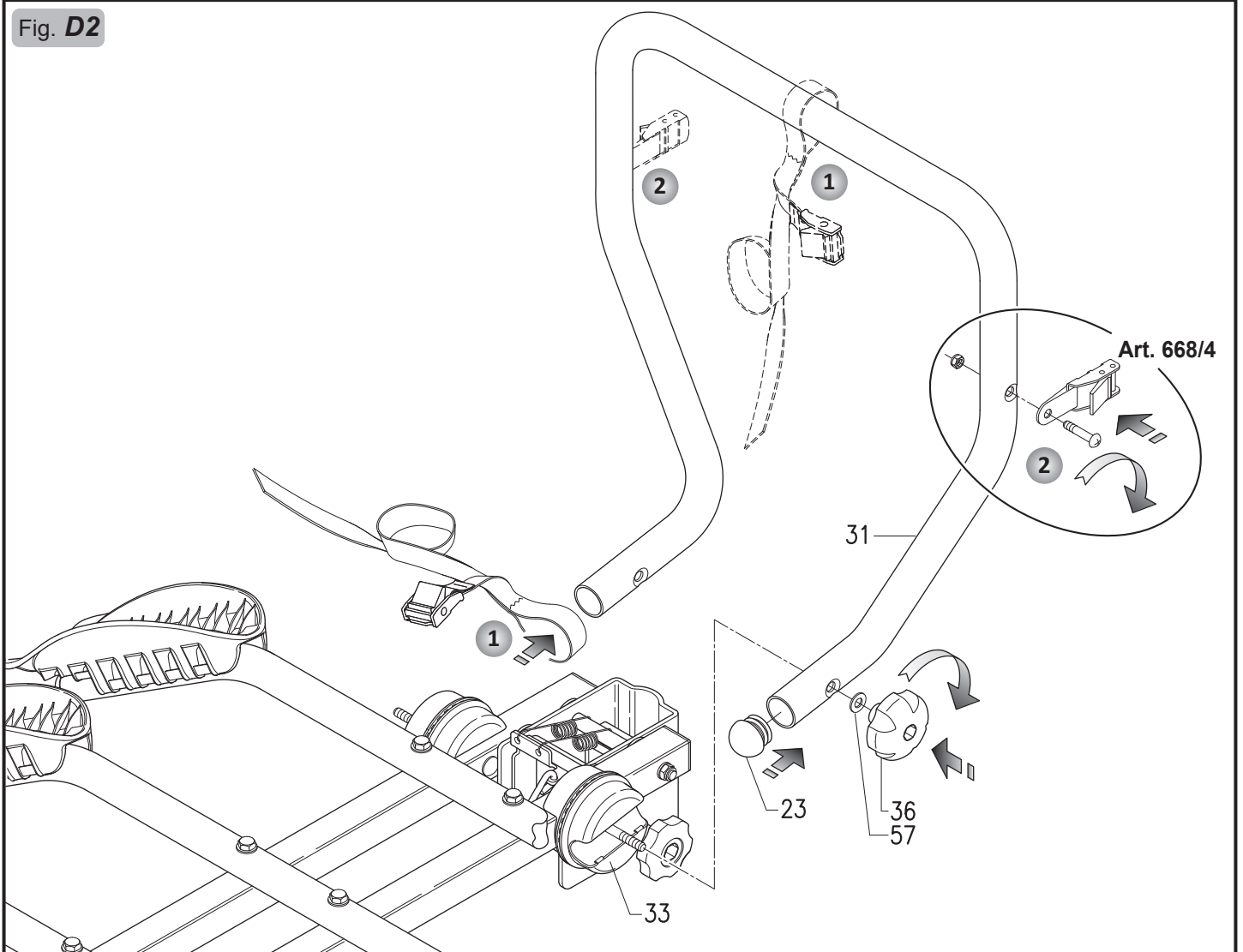


Fig. E

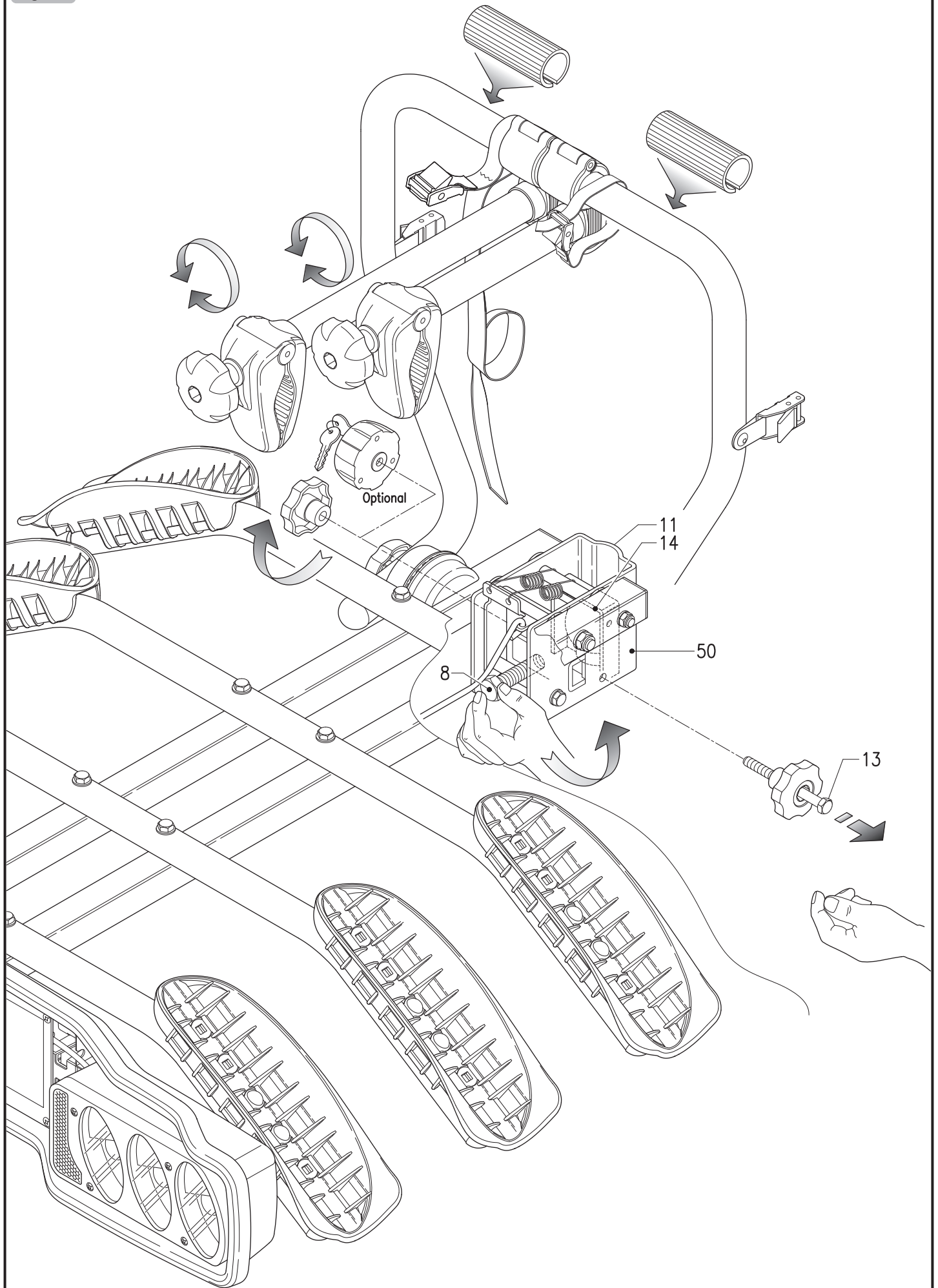
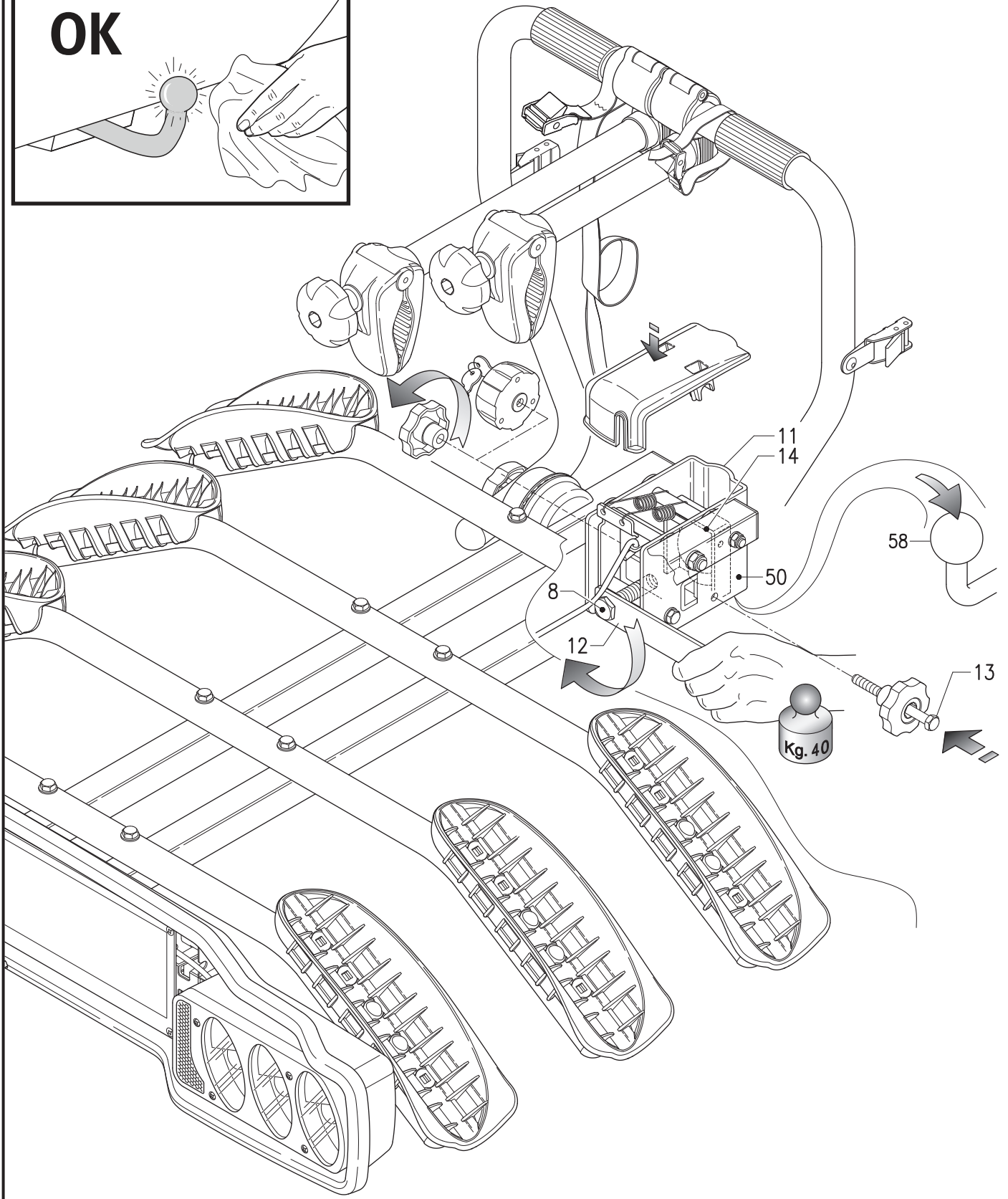
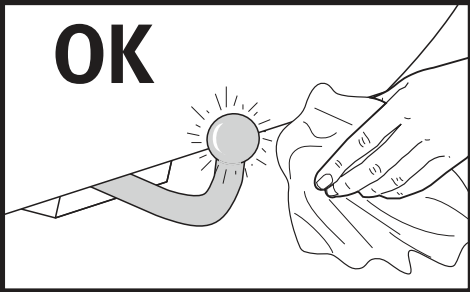


Fig. F



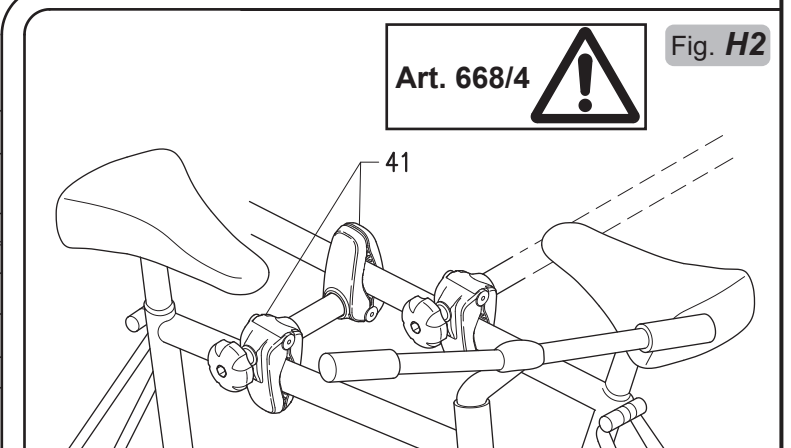
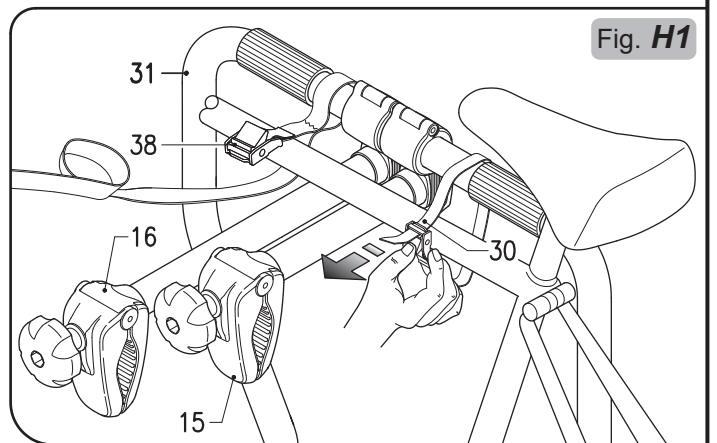
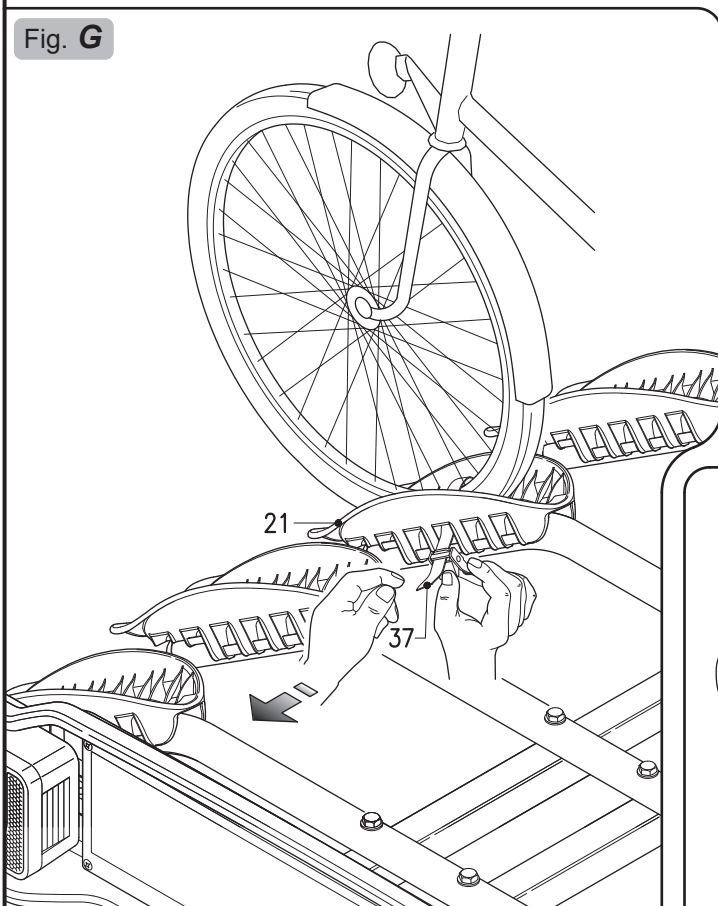
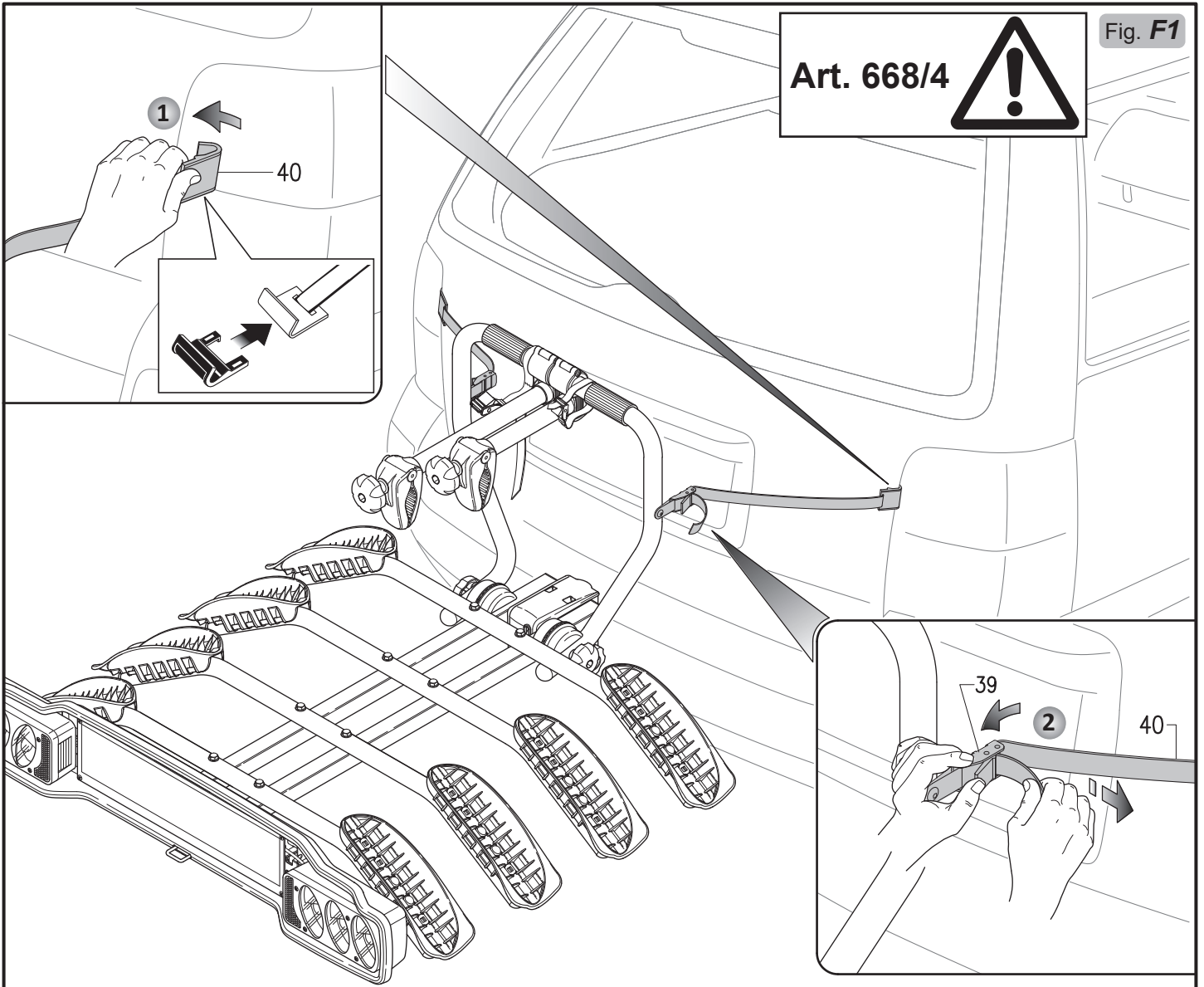


Fig. I

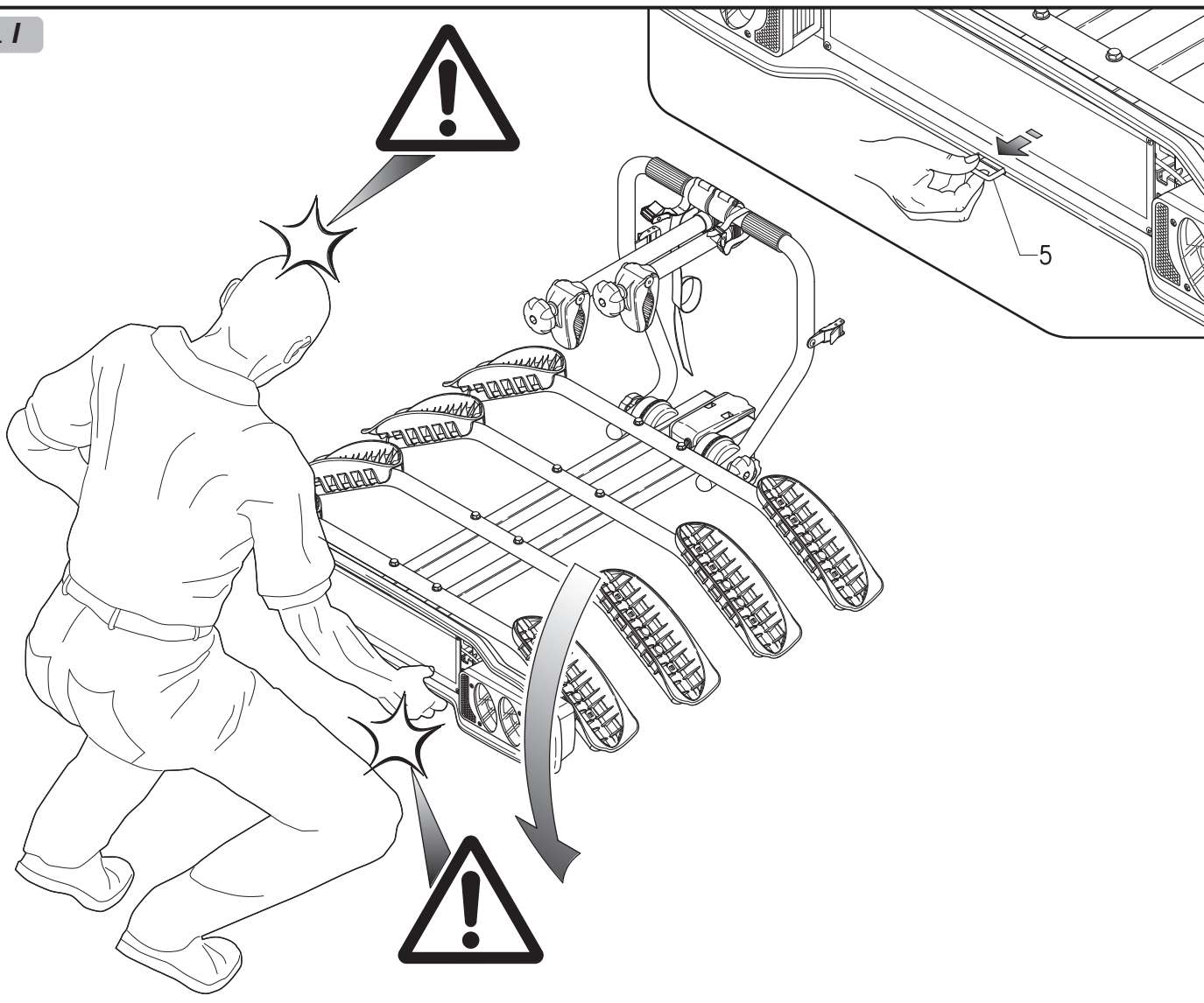


Fig. L

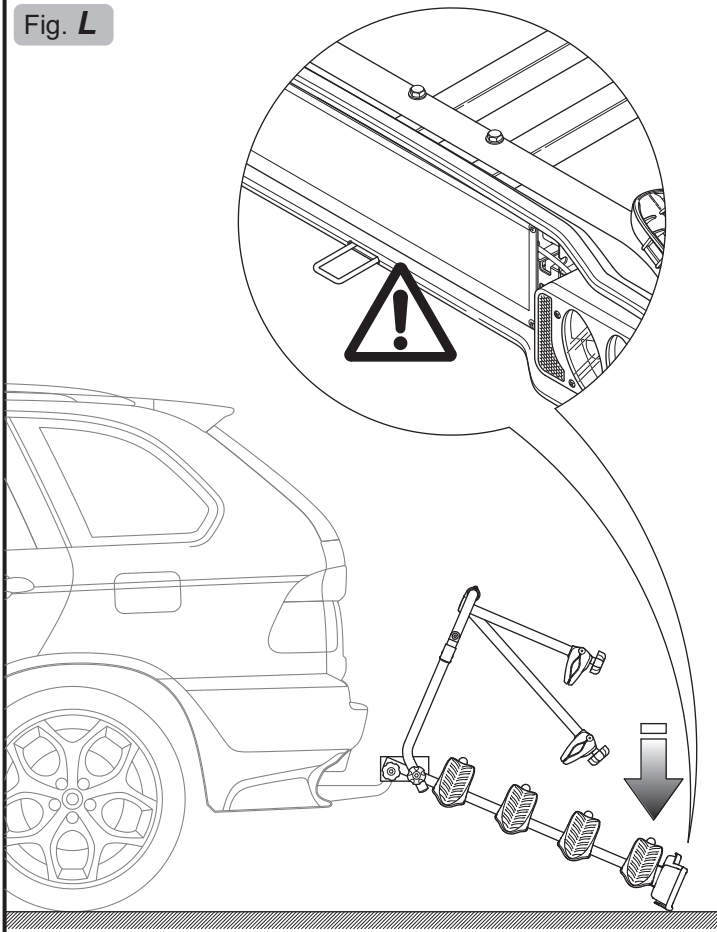
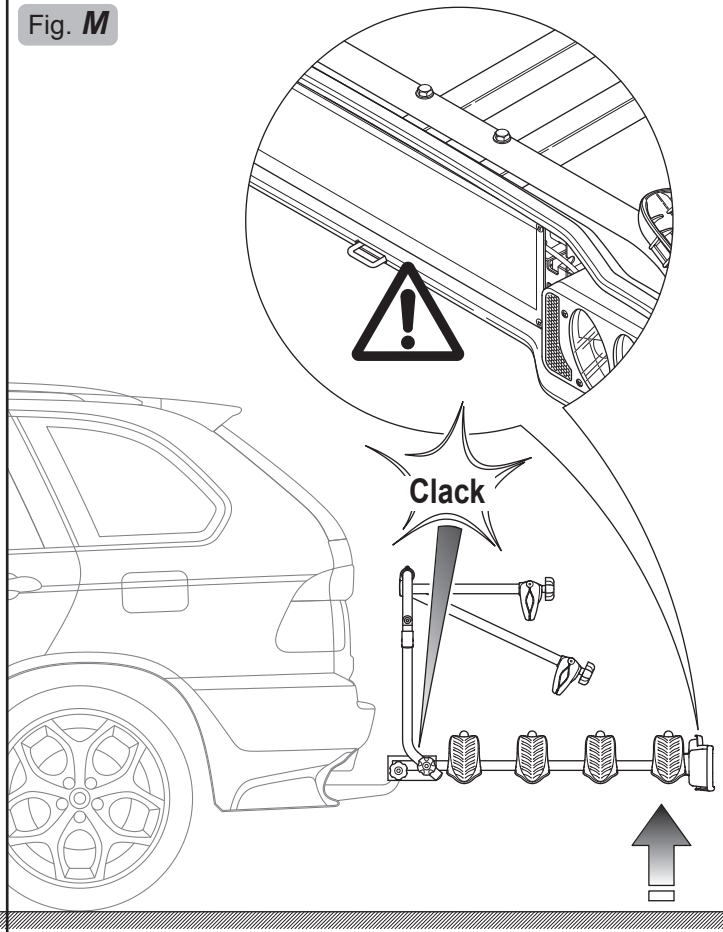


Fig. M



ASSEMBLY AND USER INSTRUCTIONS

Whenever this product is used the following information must be taken into consideration: the bike rack is a safe product if used correctly, whereas if it is used incorrectly it can cause damages to you and to anyone driving behind you.

- 1) Insert the end plugs **32** in the square bearing tubes **25-26** (Fig. **A**).
- 2) Insert the end plugs **23** in the bike carrier bars **27** (Fig. **A**) and in the bike fixing arch **31** (Fig. **D2**).
- 3) Mount the tyre cradles **21** on the bike carrier bar **27** in the most suitable positions for the dimensions of your bike and fix them with the screws **22**, nuts and washers **53** (Fig. **A**).
- 4) Fix the carrier bars **27** to the square bearing tubes **25-26** with the screws, nuts and washers **54** (Fig. **A**).
- 5) Fix the square tube **24** of the light bar **17** to the square bearing tubes **25-26** with the screws, washers and nuts **51** (Fig. **A**).
- 6) Mount the rear lights **18** on the light bar **17** and fix them with the washers and nuts **55** (Fig. **B**) while taking care not to damage the wires. Thread the 13 pin plug through the central hole of the light bar **17**.
- 7) Fix the number plate frame **19** to the light bar **17** with the screws **56**.
- 8) Fix the light bar assembly **17** to the square tube **24** with the screws **20**, the nuts and the washers **52**; make sure you thread the tilt hook **5** into the slot provided (Fig. **C**).
- 9) Mounting the bike fixing arch **31**:
 - Unscrew and remove the knobs **36** and the washers **57** from both sides (Fig. **D1**);
 - Carry out the operations **1** and **2** (Fig. **D2**);
 - Place the bike fixing arch **31** in the half pipe of the tilt adjustment element **33**, then fix it with the washers **57** and the knobs **36** (Fig. **D2**).

HOW TO INSTALL THE BIKE RACK ON THE TOWING HOOK

To mount the bike rack in safety and to avoid damaging the vehicle, you should request the help of another person.

- 10) Remove the safety screw **13** from the fixing block **50** (Fig. **E**).
 - 11) Unscrew the screw **8** until the hemisphere **14** (Fig. **E**) is completely open.
 - 12) Apply the fixing block **11** with the hemisphere open **14** to the hitch ball **58** (Fig. **F**).
 - 13) Tighten the screw **8** with the wrench provided **12** until the hemisphere **14** is secured to the hitch ball **58** (the manual force should be equal to at least **40 Kg.**) (Fig. **F**).
- IMPORTANT:** Lastly mount the safety screw **13** to the fixing block **50** (Fig. **F**) to avoid any accidental openings.

ONLY FOR ART. 668/4

- 14) Attach the strap hooks **40** to the edges of the vehicle hatch, then insert the straps in the buckles **39** (make sure the inlet direction is correct) (Fig. **F1**).
- IMPORTANT:** Give the straps a good tug to check for tightness. Check the tightness before starting and during the trip.

POSITIONING and FIXING the BIKES ON THE BIKE RACK

- 15) Place the biggest and heaviest bike on the bike rack first, position the wheels in the tyre cradles **21** and lean it up against the bike fixing arch **31**. Secure the bike to the bike fixing arch **31** with the fixing strap **30** (Fig. **H1**). Secure the wheels by means of the fixing straps **37** (Fig. **G**). Check that the belts are mounted correctly by pulling on them.
 - 16) Repeat the operations in **15** for the second, third and fourth bikes. The second and third bikes are secured to the fixing arch **31** with the fixing arms **15/16** (Fig. **H1**), whereas the fourth bike is secured to the third bike with fixing arm **41** (Fig. **H2**).
- IMPORTANT:** For safe transportation of the load the bike carrier is supplied with a strap **38** for tying all the bikes to the fixing arch **31**. Check that the belt is mounted correctly by pulling on it.

BIKE RACK INCLINATION (Fig.I/L/M)

- 17) To tilt the bike rack hold it up with one hand while you pull the hook **5** with the other (Fig. **I/L**). To avoid injury or damage, this operation of tilting the bike rack should be carried out with the help of a third person. To close the bike rack lift it until the tilt hook **5** engages securely in the transit position (Fig. **M**).

ATTENTION – SAFETY REQUIREMENTS

As well as the information described below please observe the "Conditions, suggestions and limits for use" specified in the EC type test certificate.

- Weight and maximum capacity of "SIENA" bike racks:
 - * Model **668** (10,85 kg) - **669** (10,65 kg) ---> 2 bikes, max. capacity 34 kg.
 - * Model **668/3** (13,56 kg) - **669/3** (13,33 kg) ---> 3 bikes, max. capacity 51 kg.
 - * Model **668/4** (15,93 kg.) ---> 4 bikes, max. capacity 60 kg.

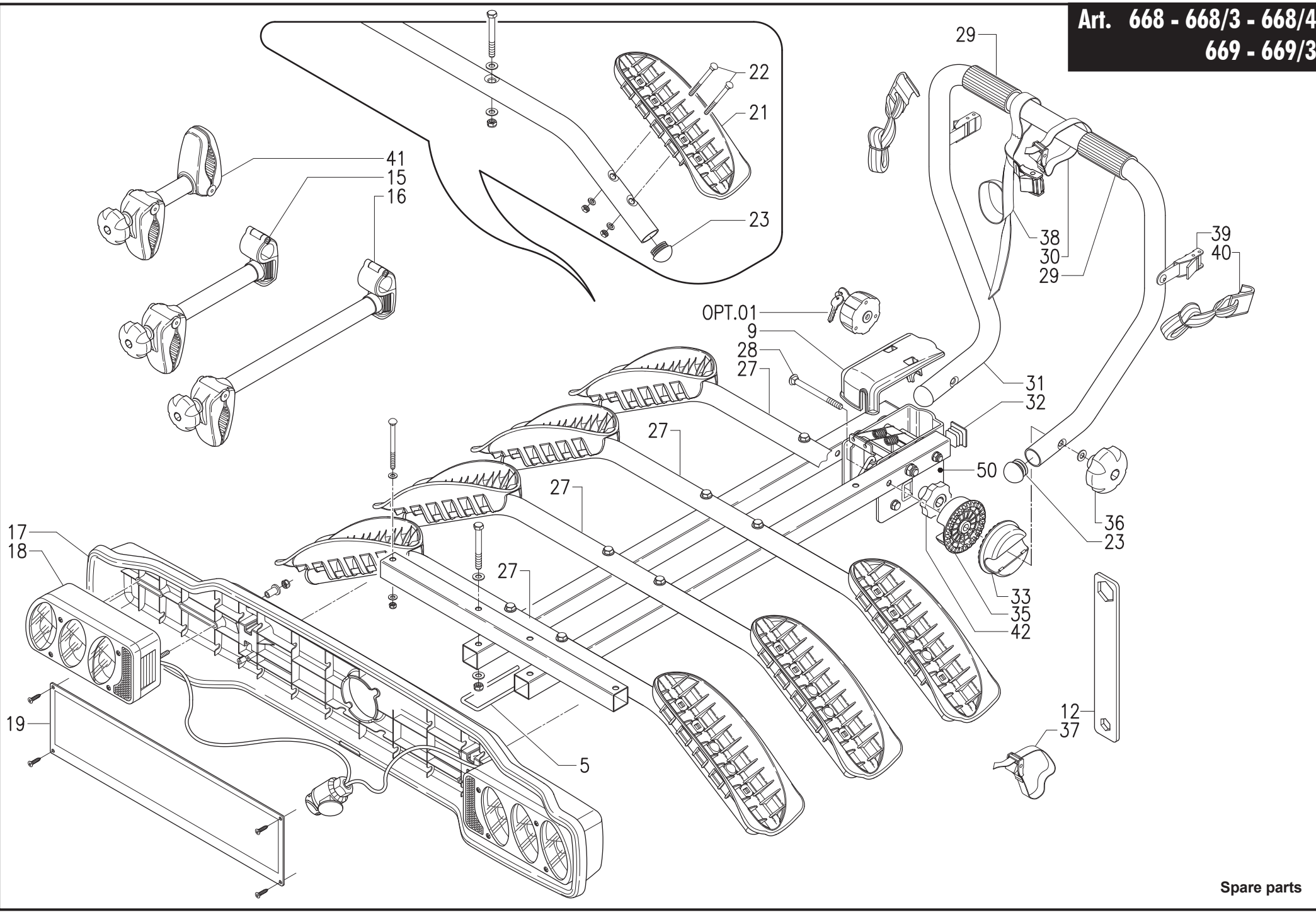
- Never exceed the permitted capacity of the towing hook installed. The combined weight of the bike rack and the load must never exceed the permitted capacity. Keep the towing hook ball surface clean from dirt and oil.
- The driver is always responsible for the load he is transporting and consequently he is also responsible for checking the fastenings both before starting the trip and at regular intervals during the trip.
- Check the car manual for the specifications concerning the maximum permissible rear axle weight.
- Verify compliance with the value **D** (maximum load bearing capacity) of the towball specified by the car or towball manufacturer; the value **D** for the towball must be at least **(760 Kg) 7.6kN**; older towballs often only specify the permissible load on the towball **G_A** and the total permissible load of the towing vehicle **G_K** rather than value **D**; in this case the value **D** can be calculated using the values specified in the vehicle maintenance or registration booklet:

$$D = \frac{9,81}{1000} \times \frac{(G_A \times G_K)}{(G_A + G_K)}$$

(*D* in [kN] / *G_A* in [kg] / *G_K* in [kg])

- Remove from the transported bikes children's seats, transport baskets, rain covers or other elements that could get lost or increase the air resistance.
- Do not carry more bikes than the number indicated for a specific model.
- Bike parts, such as for example the handlebars or pedals, must not be left in the normal position of use; they must be folded to avoid dangerous projections.
- Ensure that the bike rack is fitted correctly on the towing hook and that the bikes are secured as instructed.
- The bike rack is only suitable for transporting bicycles.

Art. 668 - 668/3 - 668/4
669 - 669/3



Spare parts

POS.	CODE	Quantity art.668/4 models for 4 bikes (folding)	Quantity art.668/3 models for 3 bikes (folding)	Quantity art.668 models for 2 bikes (folding)	Quantity art.669/3 models for 3 bikes (fixed)	Quantity art.669 models for 2 bikes (fixed)	NAME
1	OPT.01	1	1	1	1	1	Keyed knob
5	668/4.005	1	1	1	-	-	Tilt hook
9	668/4.009	1	1	1	1	1	Cover for block
12	668/4.012	1	1	1	1	1	Wrench M14
15	668/4.015	1	1	1	1	1	Medium arm
16	668/4.016	1	1	-	1	-	Long arm
17	668/4.017	1	1	1	1	1	Light bar
18	668/4.018	1	1	1	1	1	Lights with wire and plug 13 pin
19	668/4.019	1	1	1	1	1	Number plate frame
21	668/4.021	8	6	4	6	4	Wheel cradle
22	668/4.022	16	12	8	12	8	Round head screw
23	668/4.023	10	8	6	8	6	Cap Ø 30
27	668/4.027	4	3	2	3	2	Bike carrier bar
28	668/4.028	2	2	2	2	2	Round head screw with retainers
29	668/4.029	2	2	2	2	2	Foam tube
31	668/4.031	1	1	1	1	1	Bike fixing arch
32	668/4.032	2	2	2	2	2	Square cap
33	668/4.033	2	2	2	2	2	Adjustment element for round tube
35	668/4.035	2	2	2	2	2	Adjustment element for round tube
36	668/4.036	2	2	2	2	2	Knob M8
30/37	668/4.037	9	7	5	7	5	Short belt
38	668/4.038	1	1	1	1	1	Long belt
39	668/4.039	2	-	-	-	-	Buckle with screws
40	668/4.040	2	-	-	-	-	Strap with hook
41	668/4.041	1	-	-	-	-	Third-fourth bike connection arm
42	668/4.042	2	2	2	2	2	Knob M8
50		1	1	1	1	1	Mounting block

Looking for dependable bike racks? Rely on G3 for quality and long-lasting products.