

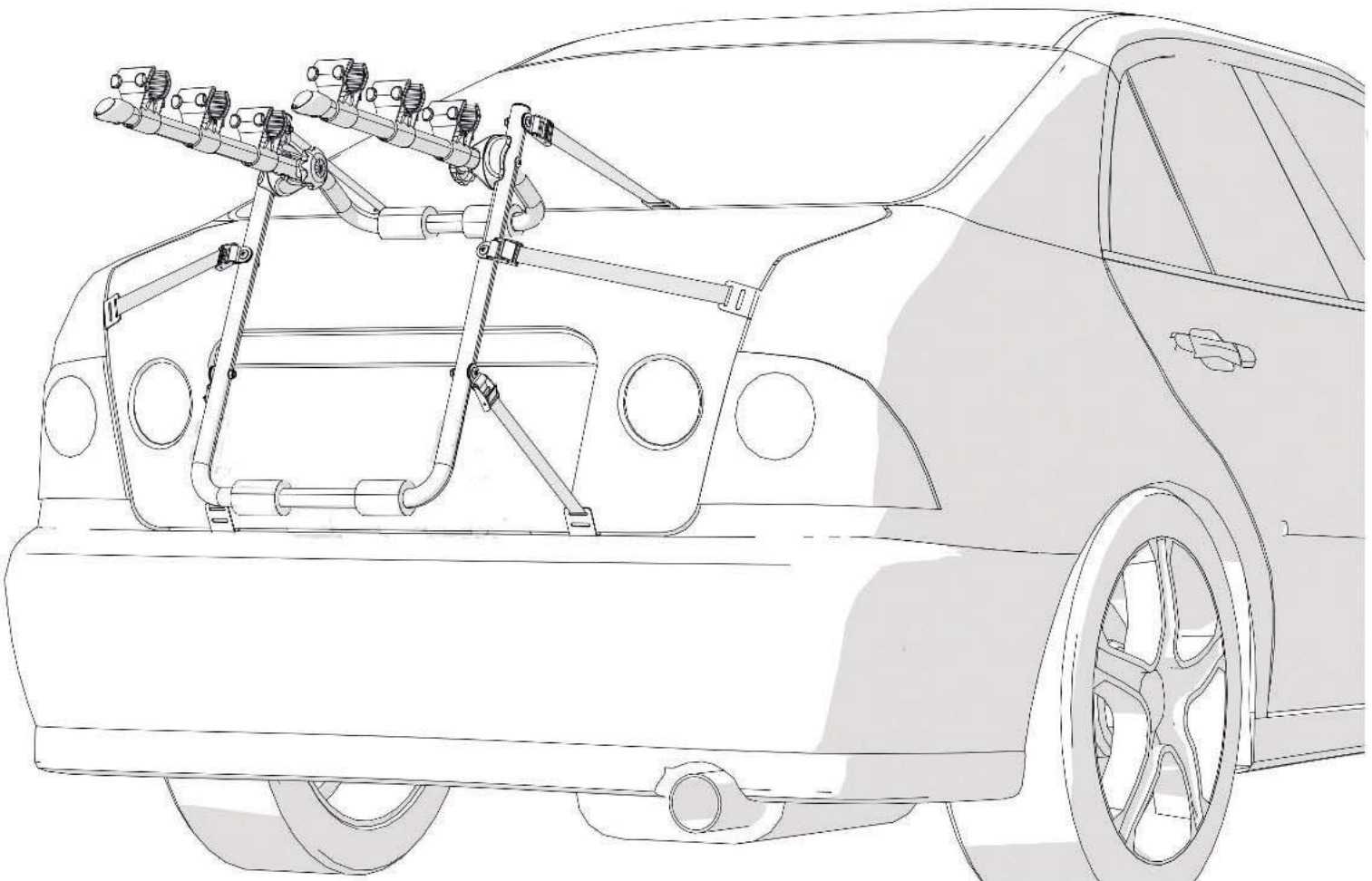


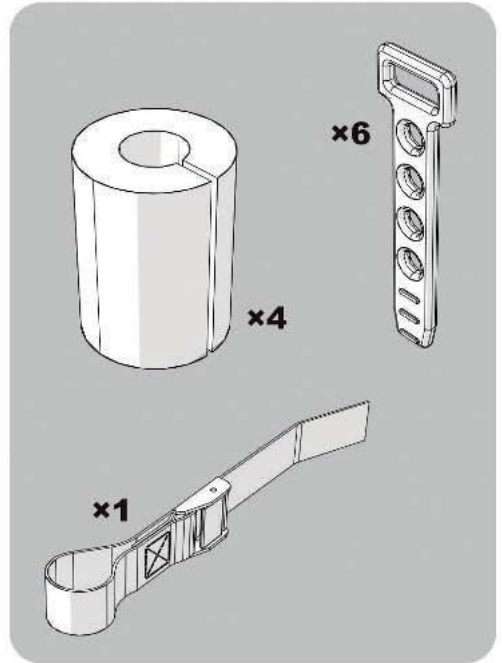
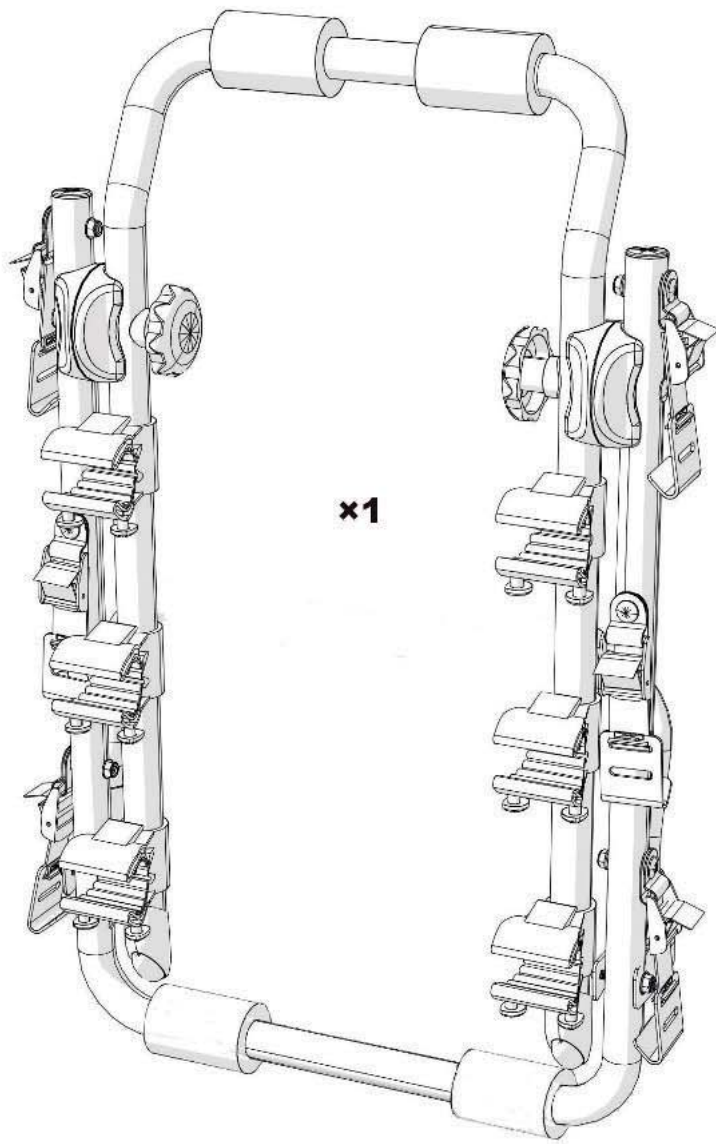
## INSTRUCTION

*frame.basic*

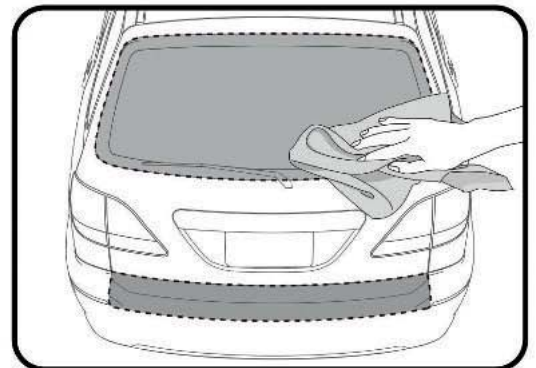
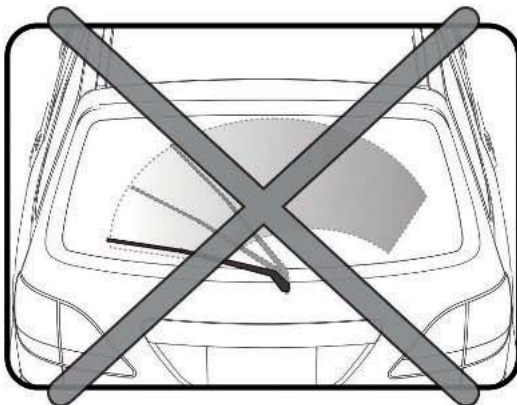


Universal rear bike carrier  
Code 23.200



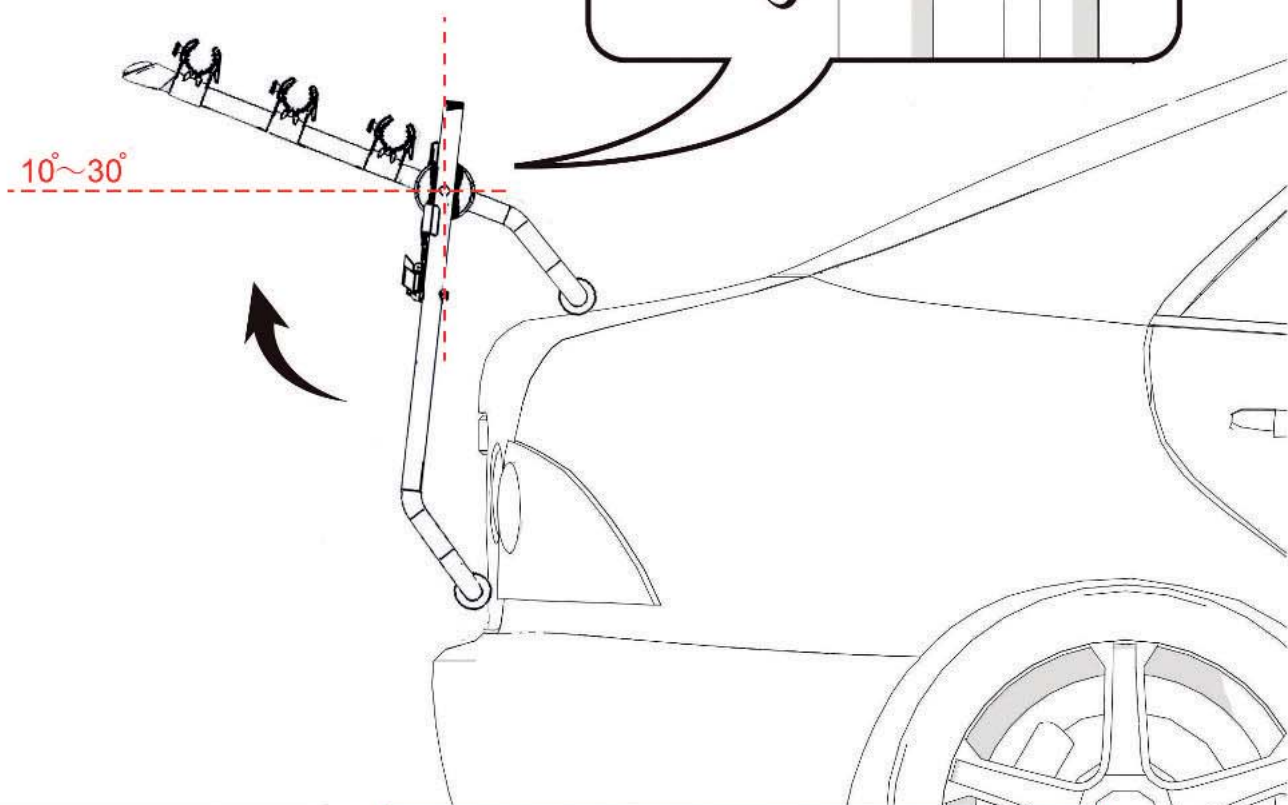
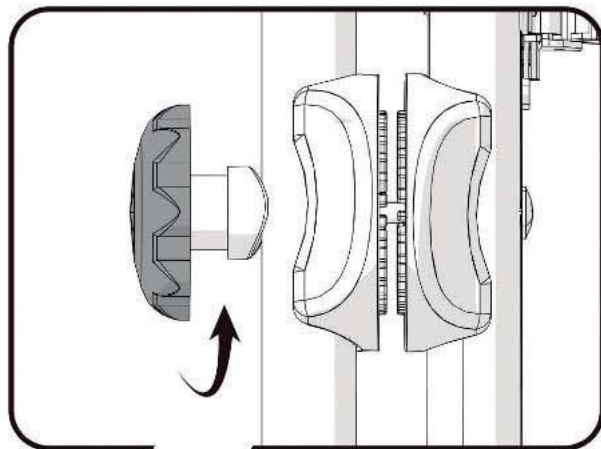


▪ Thank you for purchase G3 bike carrier. Please check if all parts are included

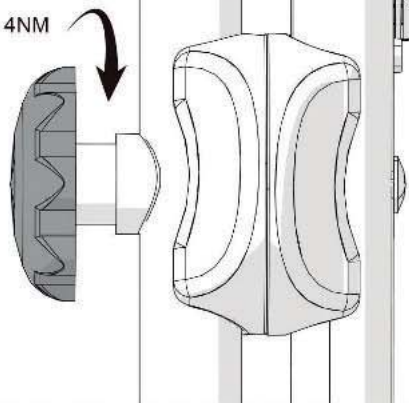


- Install the bike carrier on the trunk with hubs opened. The arm is 10° to 30° degrees up.

# 1



4NM

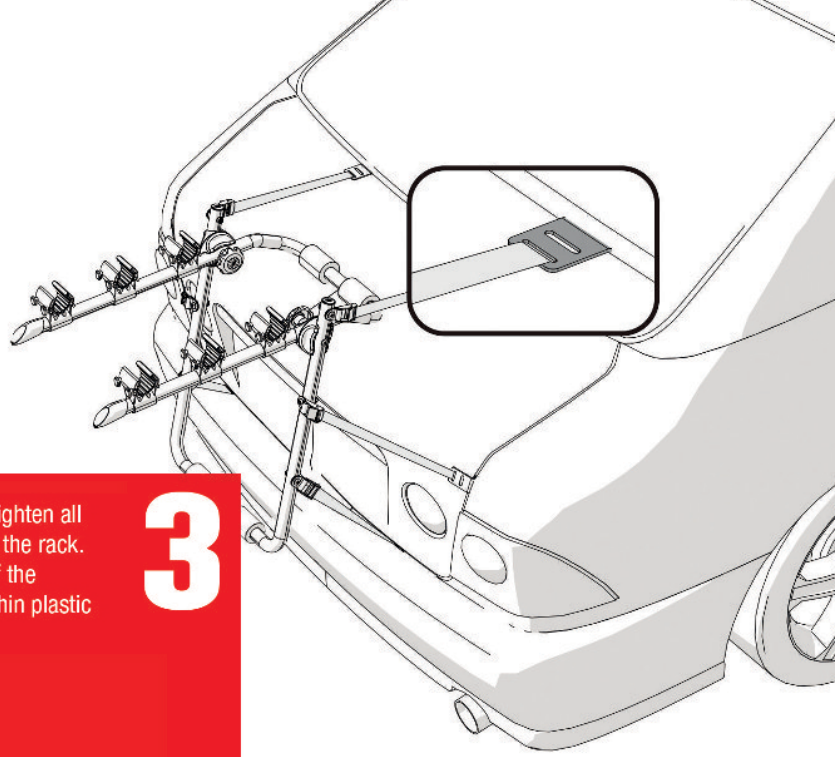
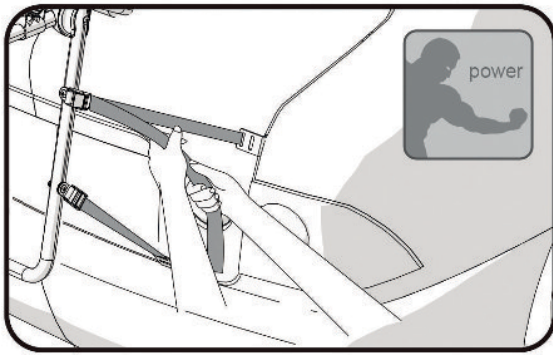


- Turn the hub lever clockwise until the hub interlock.

# 2

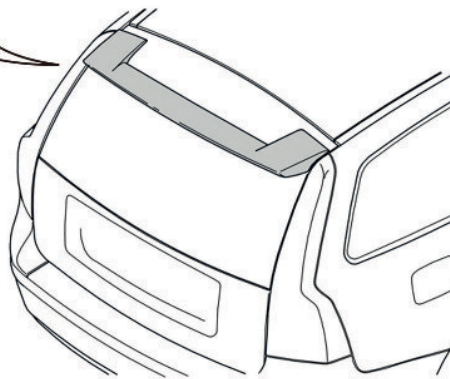
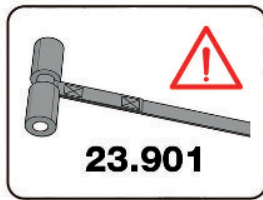






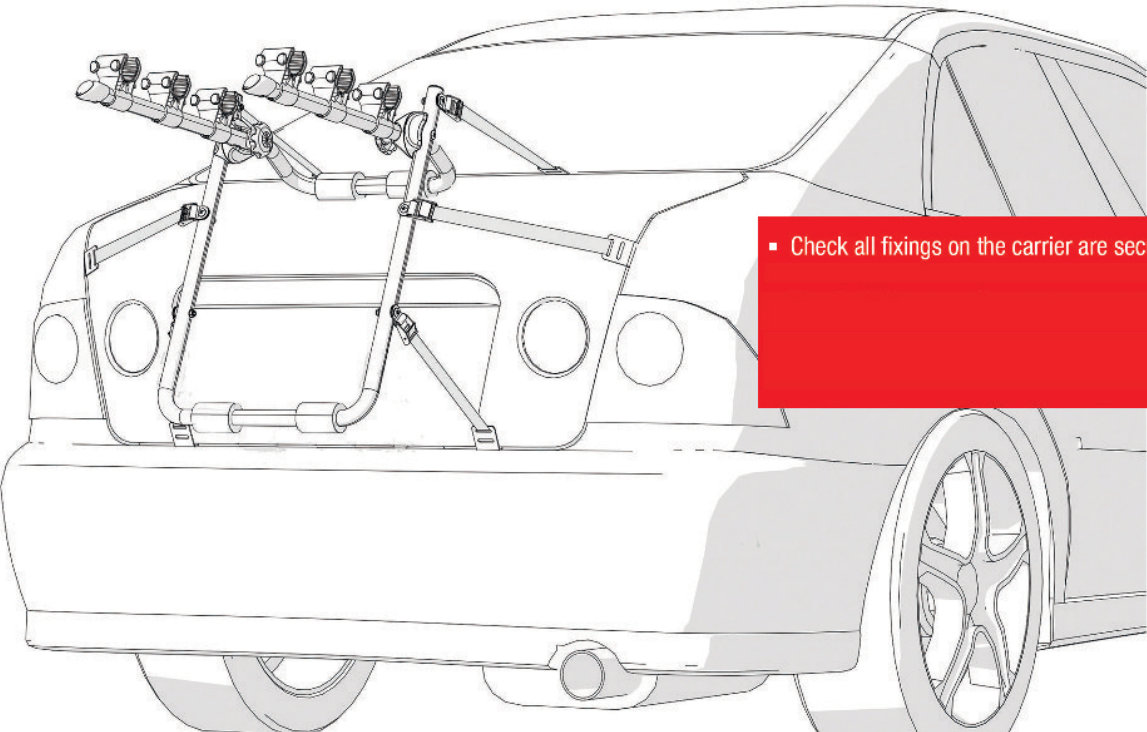
- Install six hooks on structurally sound places and tighten all six straps both before and after mounting bikes on the rack.
- Straps should always be attached to metal parts of the vehicle, never to glass hatch backs, rubber seals, thin plastic bumpers or trim.

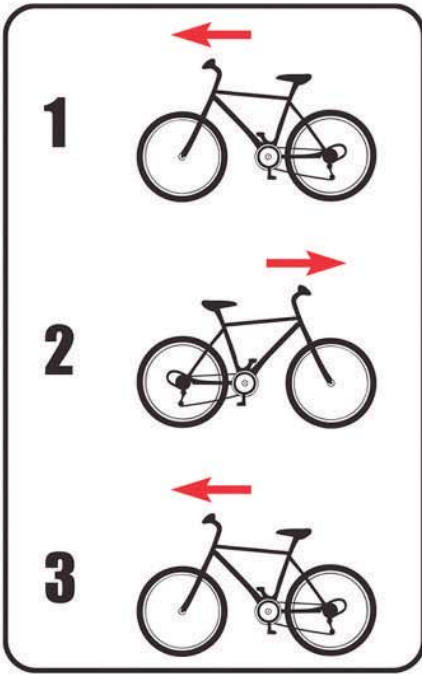
**3**



- Check all fixings on the carrier are securely fitted before use.

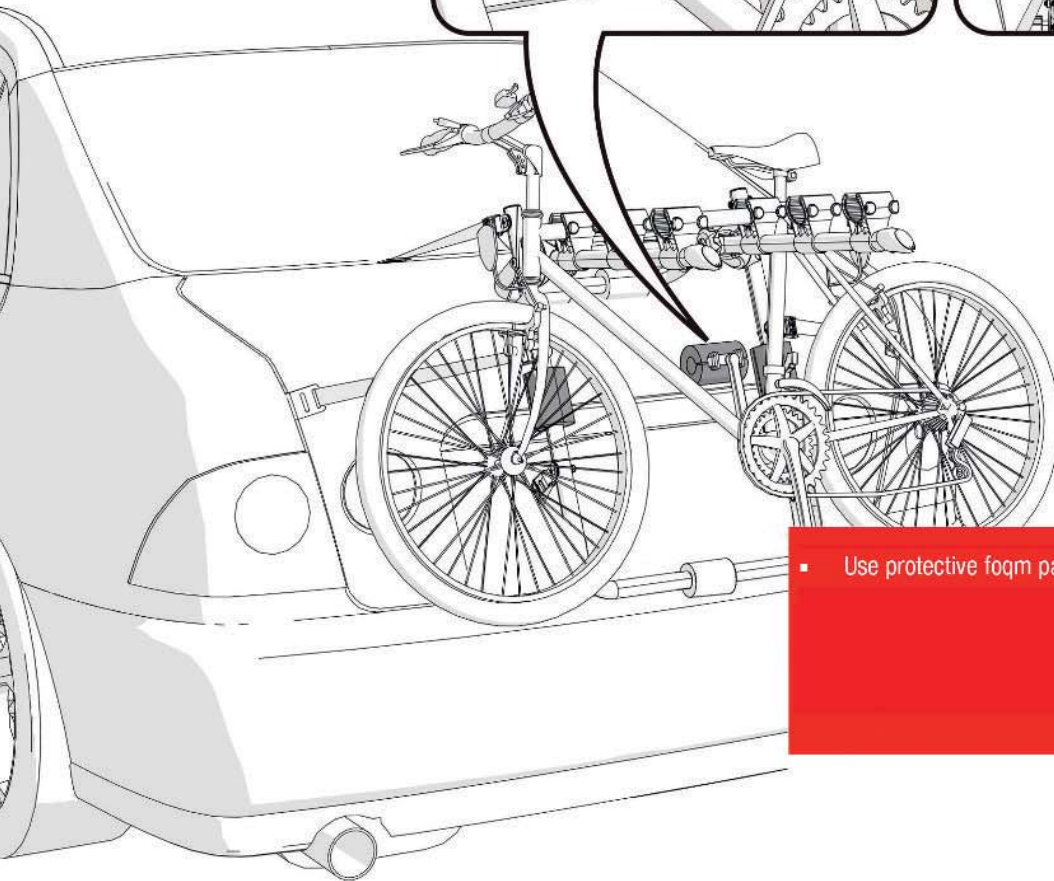
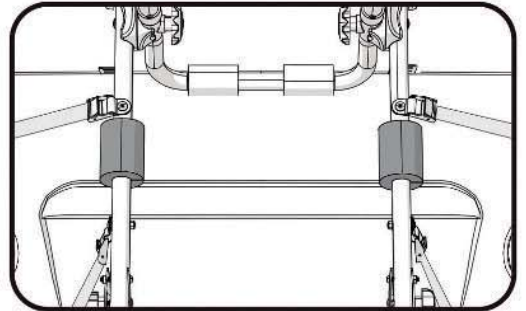
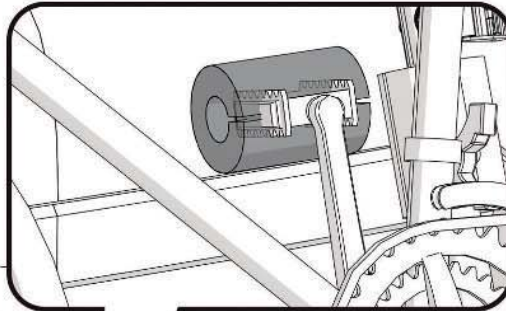
**4**





▪ Mount the bikes alternatively.

**5**



▪ Use protective foam pads to prevent scratches.

**6**

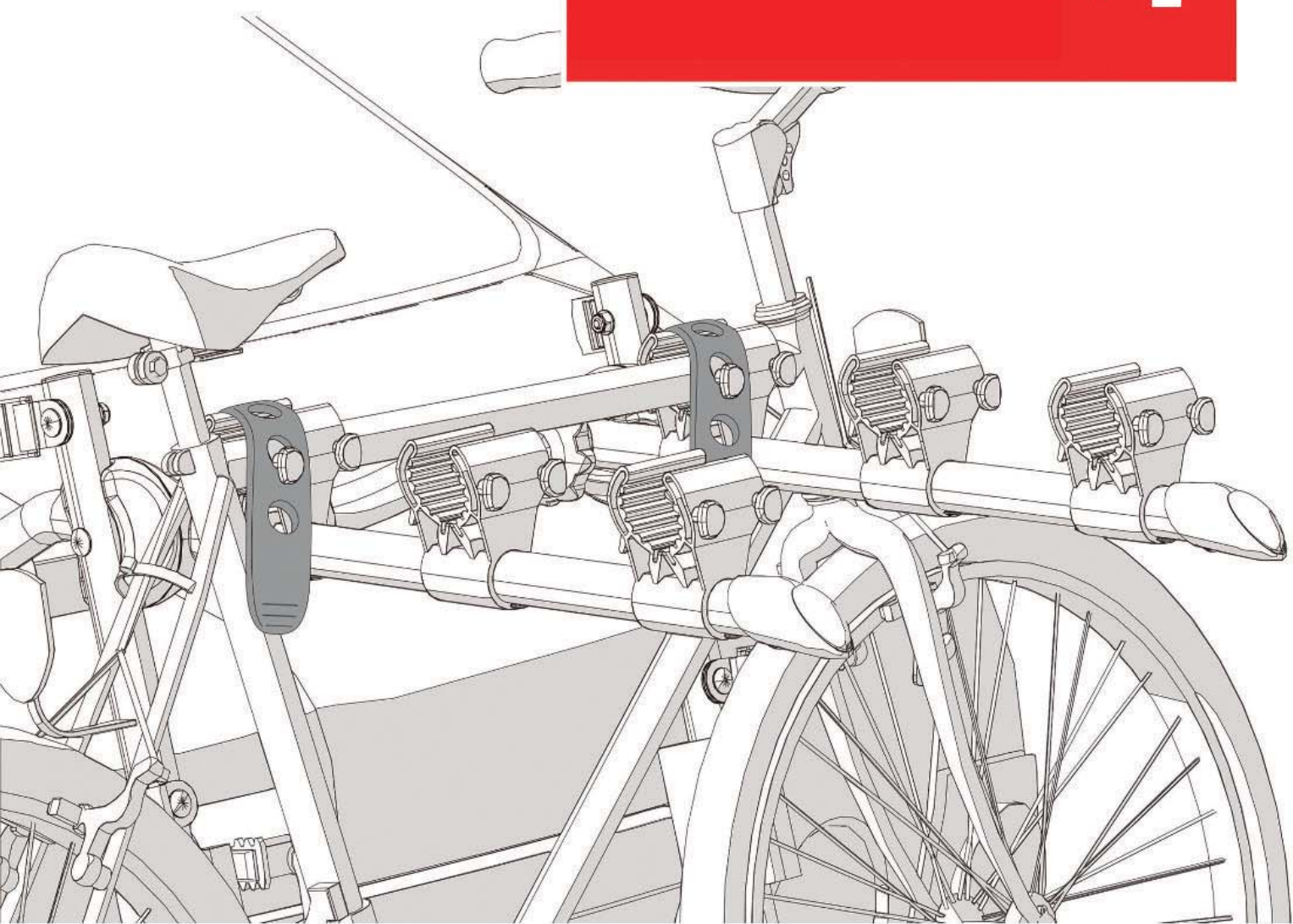




- Use one fixing rubber at rear and one rubber at front to secure bike.

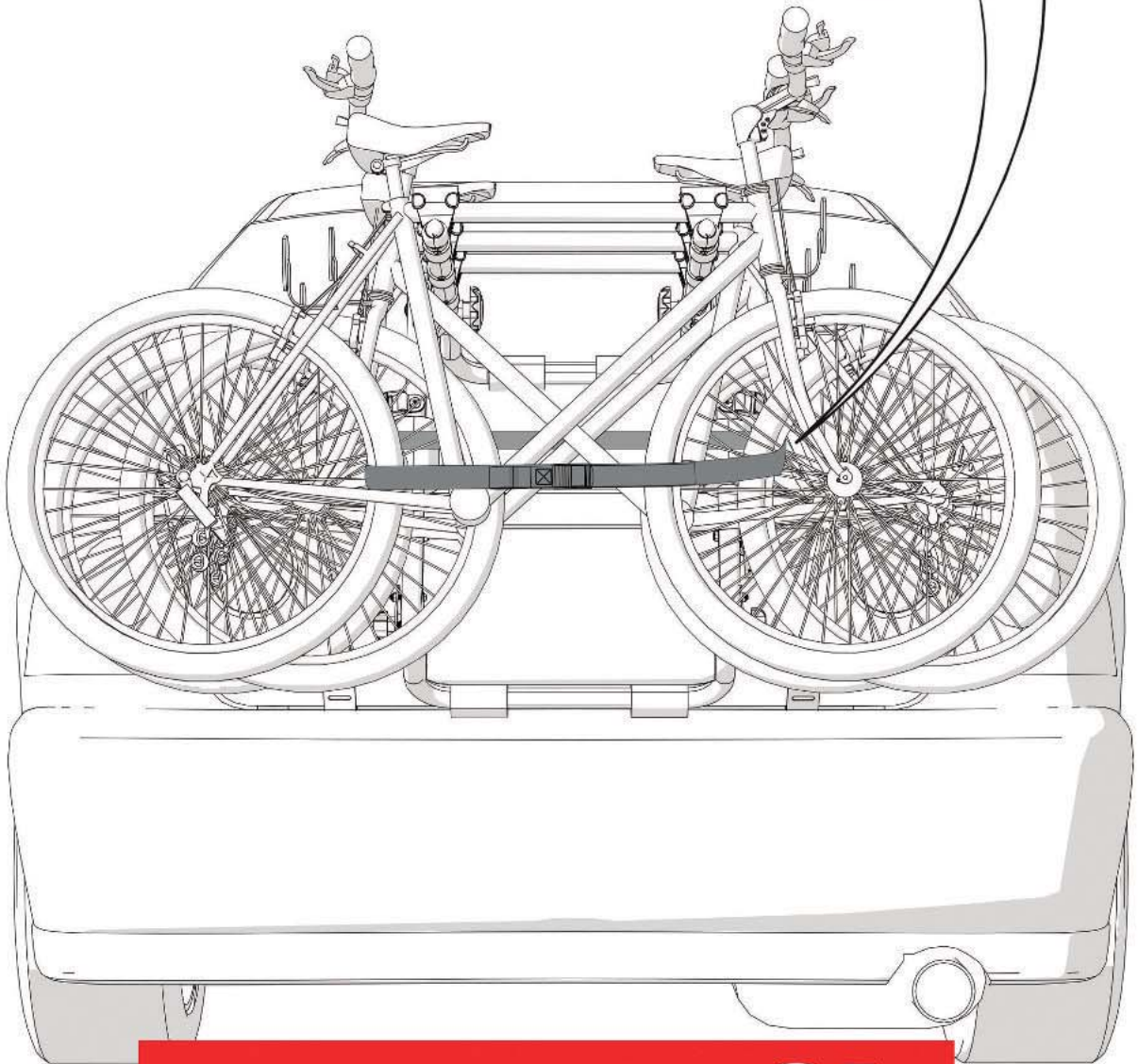
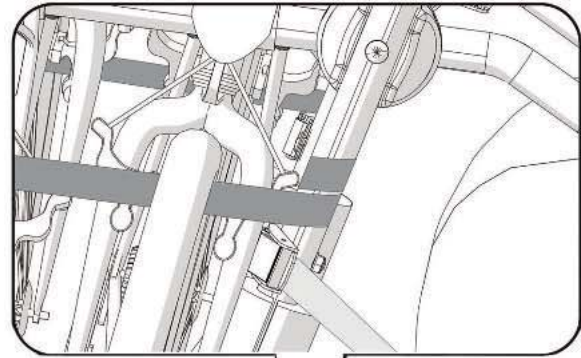


**7**



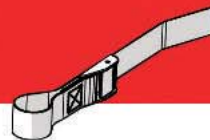
- Divide the safety strap to half and loop over the frame.  
Bring it forward to secure wheels and forks.

# 8a

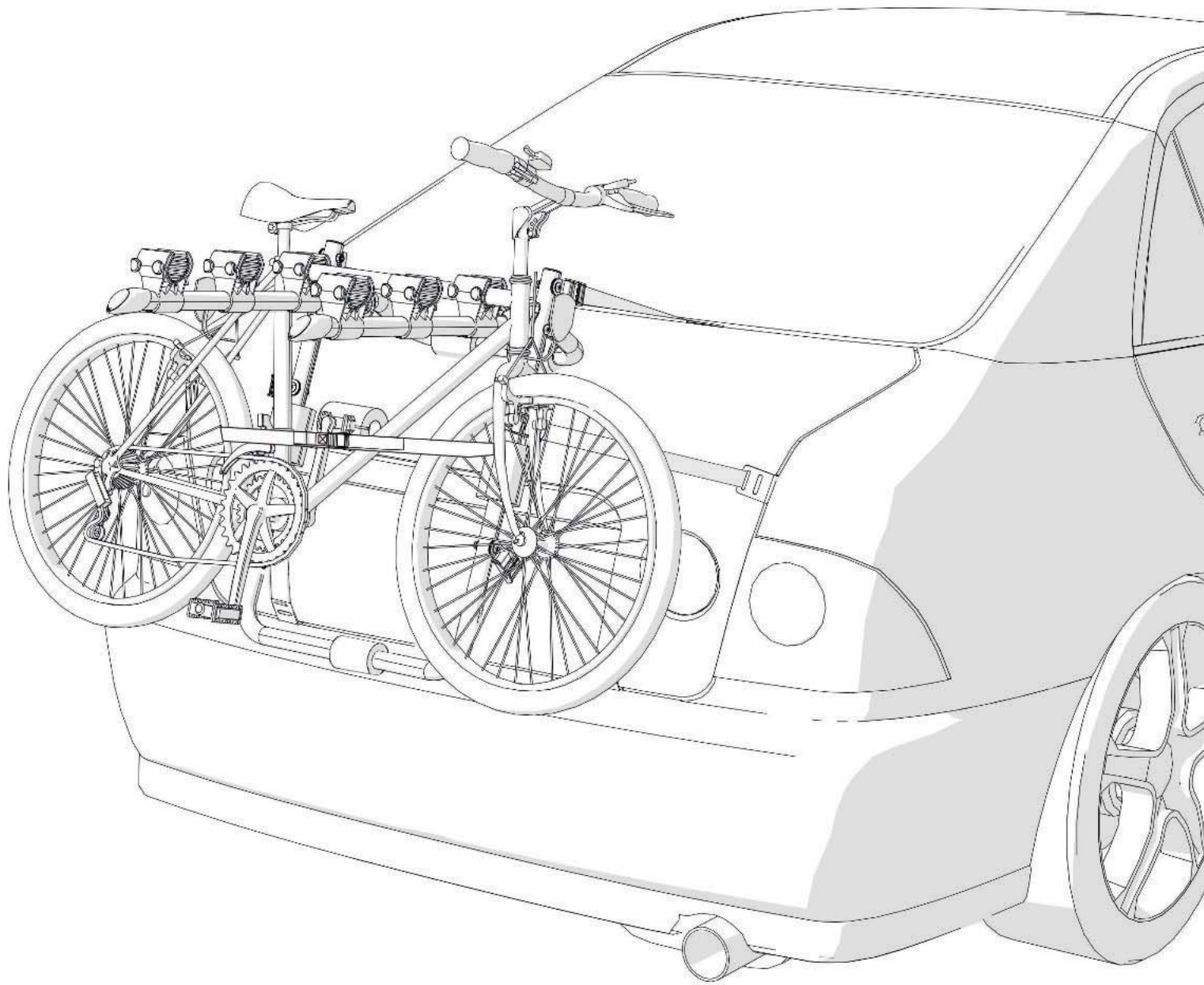


- Insert the end of strap to the buckle at another end.  
Tighten it!

# 8b



■ Installation complete.

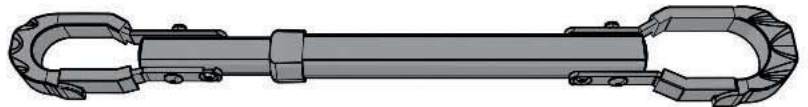




- Accessories available.

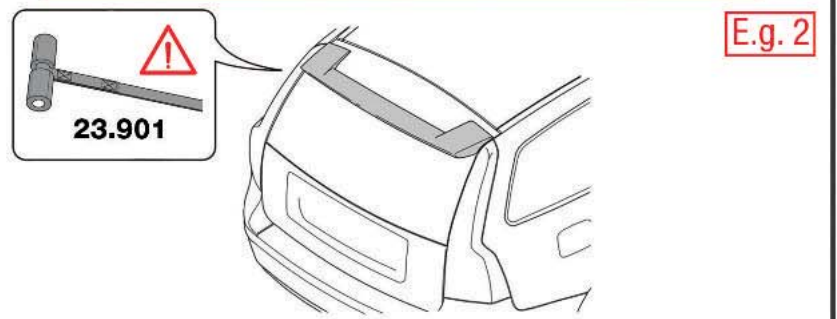
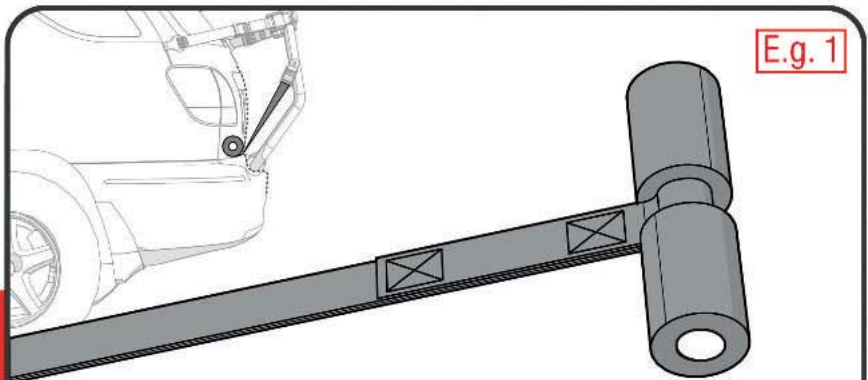
### 23.900

- Use for bikes hard to mount.



### 23.901

- Replace standard hooks.



## General notes for rear bike carrier

- \* Every month, new cars are brought to market for new design and body. Although G3 S.p.A. design team strive to make most of products universal to cars in the market, it is impossible for one single bike carrier to fit all models of cars available on the market. Before you purchase the bike carrier, please check if the bike carrier fits your specific vehicle with G3 S.p.A. authorized dealer or distributor.
- \* Before installation, please read the instruction first then install the bike carrier according to the manual enclosed. Make sure all parts are present and in working condition prior to installation. Any missing or broken parts, please contact your G3 S.p.A. authorized dealer or distributor. Always keep this manual for future reference.

## Warnings during fitting of the bike carrier

1. For hatchback vehicles with glass to the top of the hatch, or for vehicles equipped with spoilers or similars, an adaptor kit with Foam Puller bars must be used 23.901 (not included in this kit).
2. Should your rear lights or number plate be obscured when carrying cycles, an auxiliary lighting board and number plate must be provided. Lighting boards and wiring systems are specifically designed for this purpose.
3. When vehicles are equipped with power tailgate, it is necessary to turn off the power when you install rear bike carrier. If this option is not available, do not use rear bike carrier.
4. Prior to installation, please clean the trunk thoroughly.
5. Please obey the local traffic law when you drive with bike carrier.
6. Please remove the bike carrier if you do not use and before car wash.
7. If the operation of rear wiper interferes with the bike carrier, stop using rear wiper or disable the power of rear wiper.
8. Organize the loose ends with integrated Velcro straps (not included).

## Mounting tips

1. When you mount the bikes, please make sure that bikes do not contact the vehicle itself, especially the pedal. Use of protective foam pads may help.
2. Before mounting bicycles, please remove all loose items. Ex., water bottles.
3. Tires of bicycles have to be kept away from vehicle exhaust.
4. Always obey the weight limit of each bicycle (Max. 15kg/35lbs per bike) and capacity of bicycles according to manufacturer's recommendation. Please do not mount electric bikes.
5. Vehicles installed with bike carriers/bikes have different road behavior. Drive extreme cautiously during strong wind, sharp turns, and rough road. Drive slowly over the speed bump with the speed less than 10 km/h (6 miles/hr).
6. Vehicles equipped with bike carrier/bikes have extra width and length. In addition, please make sure the bikes are mounted in the center to avoid excessive protrusion (23.900).
7. Some bikes like lady bikes require bike beam to mount.
8. When vehicle is equipped with bike carrier, please check the installation of bike carrier and mounting of bikes for every 100km during the journey. It is responsibility of the driver to ensure the safety of passengers and others!