

FURUNO

OPERATOR'S MANUAL

NETWORK FISH FINDER

Model **DFF1-UHD**

IMPORTANT NOTICES

General

- This manual has been authored with simplified grammar, to meet the needs of international users.
- The operator of this equipment must read and follow the descriptions in this manual. Wrong operation or maintenance can cancel the warranty or cause injury.
- Do not copy any part of this manual without written permission from FURUNO.
- If this manual is lost or worn, contact your dealer about replacement.
- The contents of this manual and equipment specifications can change without notice.
- The example screens (or illustrations) shown in this manual can be different from the screens you see on your display. The screens you see depend on your system configuration and equipment settings.
- Save this manual for future reference.
- Any modification of the equipment (including software) by persons not authorized by FURUNO will cancel the warranty.
- All brand and product names are trademarks, registered trademarks or service marks of their respective holders.

How to discard this product

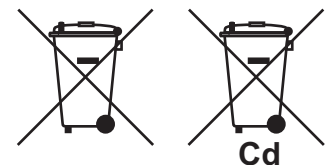
Discard this product according to local regulations for the disposal of industrial waste. For disposal in the USA, see the homepage of the Electronics Industries Alliance for the correct method of disposal.

How to discard a used battery

Some FURUNO products have a battery(ies). To see if your product has a battery, see the chapter on Maintenance. Follow the instructions below if a battery is used. Tape the + and - terminals of battery before disposal to prevent fire, heat generation caused by short circuit.

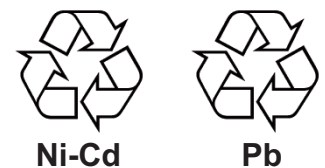
In the European Union

The crossed-out trash can symbol indicates that all types of batteries must not be discarded in standard trash, or at a trash site. Take the used batteries to a battery collection site according to your national legislation and the Batteries Directive 2006/66/EU.



In the USA

The Mobius loop symbol (three chasing arrows) indicates that Ni-Cd and lead-acid rechargeable batteries must be recycled. Take the used batteries to a battery collection site according to local laws.





In the other countries

There are no international standards for the battery recycle symbol. The number of symbols can increase when the other countries make their own recycle symbols in the future.









SAFETY INSTRUCTIONS






The user and installer must read the appropriate safety instructions before attempting to install or operate the equipment.

 WARNING	Indicates a potentially hazardous situation which, if not avoided, could result in death or serious injury.
 CAUTION	Indicates a potentially hazardous situation which, if not avoided, may result in minor or moderate injury.



 Warning, Caution	 Prohibitive Action	 Mandatory Action
--	--	--

Safety instructions for the operator

 WARNING	
	Do not open the equipment. Only qualified personnel should work inside the equipment.
	Do not disassemble or modify the equipment. Fire, electrical shock or serious injury can result.
	Turn off the power immediately if the equipment is emitting smoke or fire. Fire or electrical shock can result if the power is left on.
	Turn off the power immediately if water leaks into the equipment or an object is dropped inside the equipment. Continued use can cause fire or electrical shock.
	Turn off the power immediately if you feel the equipment is acting abnormally. If the equipment is hot to the touch or is emitting strange noises, turn off the power immediately and contact your dealer for advice.






 WARNING	
	Do not operate the equipment with wet hands. Electrical shock can result.
	Do not place liquid-filled containers on the top of the equipment. Electrical shock can result.
	Do not install the equipment where it may be subjected to rain or water splash. Fire or electrical shock can result if water gets inside the equipment.
	Use the proper fuse. Use of a wrong fuse can damage the equipment and may cause fire.

A warning label is attached to the equipment. Do not remove this label. If the label is missing or illegible, contact a FURUNO agent or dealer about replacement.

 WARNING 
To avoid electrical shock, do not remove cover. No user-serviceable parts inside.

Name: Warning Label (1)
Type: 86-003-1011-3
Code No.: 100-236-233-10

Safety instructions for the installer

 WARNING	
	<p>Do not open the equipment.</p> <p>Only qualified personnel should work inside the equipment.</p>
	<p>Turn off the power before beginning the installation.</p> <p>Fire or electrical shock can result if the power is left on.</p>
	<p>Be sure no water leaks at the mounting location for the transducer and temperature sensor.</p> <p>Water leakage can sink the vessel. Also, confirm that neither the transducer nor the sensor will loosen by vibration. The installer is solely responsible for the installation.</p>
	<p>Confirm that the power supply voltage is within the rating of this equipment.</p> <p>Incorrect voltage will damage the equipment and may cause fire.</p>





 CAUTION					
	<p>The transducer cable must be handled carefully, following the guidelines below.</p> <ul style="list-style-type: none"> • Keep fuels and oils away from the cable. • Locate the cable away from chemicals. • Locate the cable away from locations where it might be damaged. 				
	<p>Do not apply the power with the transducer exposed to air.</p> <p>The transducer may be damaged.</p>				
	<p>A magnetic compass may receive interference if it is placed too close to the network fish finder. Observe the compass safe distances shown below to prevent interference to a magnetic compass.</p> <table border="1" style="margin-left: auto; margin-right: auto;"> <tbody> <tr> <td style="text-align: center;">Standard compass</td> <td style="text-align: center;">Steering compass</td> </tr> <tr> <td style="text-align: center;">1.00 m</td> <td style="text-align: center;">0.60 m</td> </tr> </tbody> </table>	Standard compass	Steering compass	1.00 m	0.60 m
Standard compass	Steering compass				
1.00 m	0.60 m				

TABLE OF CONTENTS

FOREWORD	v
SYSTEM CONFIGURATION	vi
1. INSTALLATION	1
1.1 Equipment Lists.....	1
1.2 Network Fish Finder	2
1.3 Transducer	3
1.4 Optional Speed/Temperature Sensors ST-02MSB, ST-02PSB	3
1.4.1 Mounting considerations.....	3
1.4.2 Mounting procedure.....	3
1.5 Optional Temperature Sensors	4
1.5.1 Transom mount temperature sensor T-02MTB	4
1.5.2 Thru-hull temperature sensor T-02MSB, T-03MSB	5
2. WIRING	6
2.1 Wiring Outline.....	6
2.2 Transducer Cable, Cable for External KP (option).....	7
2.2.1 How to process the cables.....	7
2.2.2 How to connect the transducer cable	9
2.2.3 How to connect the cable for external KP, transducer cable	11
2.3 LAN Cable.....	17
3. INITIAL SETTINGS	19
3.1 DIP Switch Setting	19
3.2 Operation Check	20
4. MAINTENANCE	21
4.1 Maintenance.....	21
4.2 How to Replace the Fuse.....	22
4.3 How to Restore Default Settings.....	22
APPENDIX 1 JIS CABLE GUIDE	AP-1
SPECIFICATIONS	SP-1
PACKING LIST	A-1
OUTLINE DRAWINGS.....	D-1
INTERCONNECTION DIAGRAM	S-1

FOREWORD

A Word to the Owner of the DFF1-UHD

Congratulations on your choice of the FURUNO DFF1-UHD Network Fish Finder. We are confident you will see why the FURUNO name has become synonymous with quality and reliability.

Since 1948, FURUNO Electric Company has enjoyed an enviable reputation for quality marine electronics equipment. This dedication to excellence is furthered by our extensive global network of agents and dealers.

This equipment is designed and constructed to meet the rigorous demands of the marine environment. However, no machine can perform its intended function unless operated and maintained properly. Please carefully read and follow the recommended procedures for operation and maintenance.

Thank you for considering and purchasing FURUNO.

Features

The DFF1-UHD is a dual frequency echo sounder designed for use with the NavNet TZtouch series. The DFF1-UHD feeds data about underwater conditions via a LAN.

- FURUNO TruEcho CHIRP™ fishfinders provide very high definition images.
- High resolution display greatly reduces the possibility of missing a target.
- Noise-suppressing display for enhanced detection performance.
- Fish size shown for depths up to 200 m and bottom discrimination.

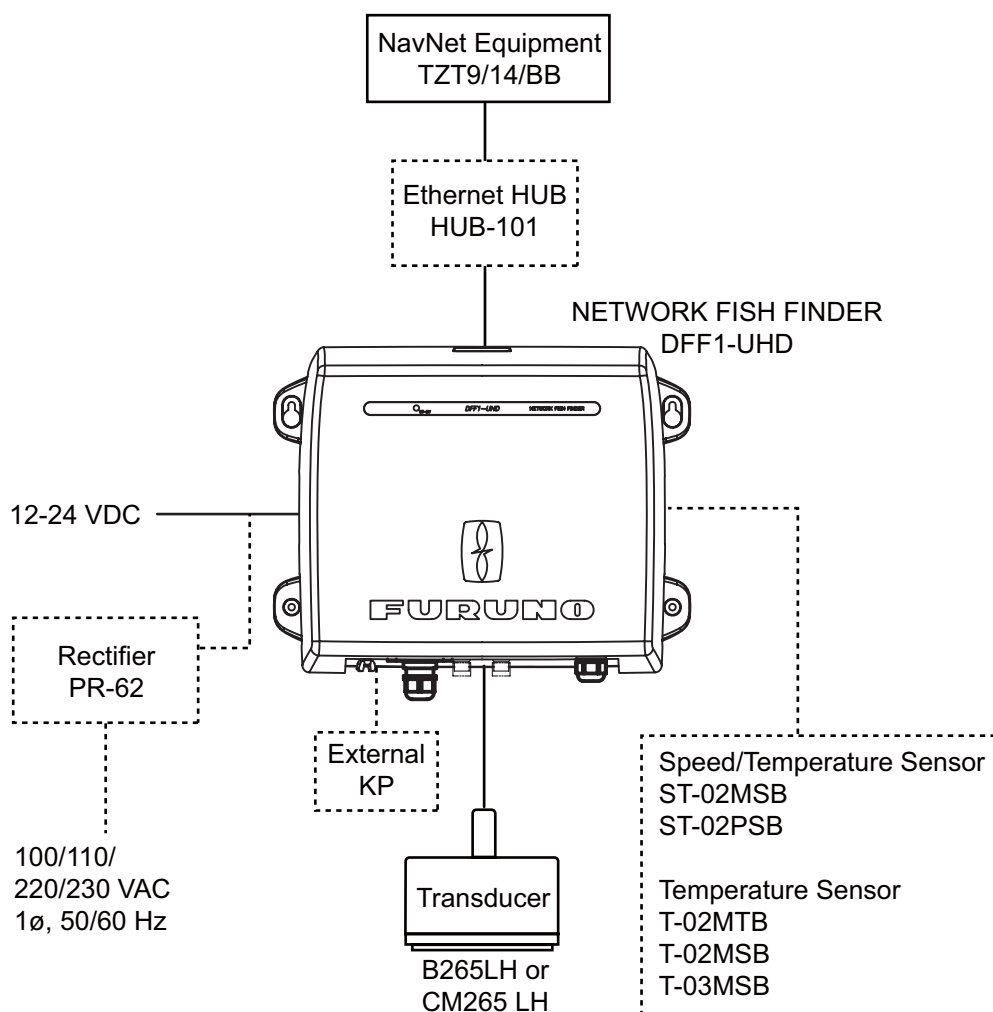
Operating notices

- Echoes are shown in high ultra definition, thus echoes are displayed differently from those presented on the conventional fish finder.
- The interference rejector operates differently from the interference rejector on the conventional fish finder, thus its effect on echoes is different.
- The transducer cannot be installed inside the vessel.
- The length of the TX pulse changes according to the state of the ACCU-FISH™ feature. Therefore, the appearance of the display changes with the gain setting.
- Observe the following when using the bottom discrimination display (hereafter referred to as BDD):
 - Use the BDD under the following conditions:
 - Depth: 5-200 m (16.4-656.2 ft)
 - Speed: 10 knots or less
 - The BDD uses depth measured from the vessel's draft in its analysis of bottom composition. Be sure to set the draft at the NavNet equipment.
 - The TX interval slows when the BDD is active.
 - The BDD is inoperative if the transducer selection setting at the NavNet TZtouch is "Manual."

Measure for reduction of interference

If you receive interference from the fish finder/echo sounder of another vessel, switch to single frequency operation and change the frequency and/or reduce the transmitting sound pressure level to remove the interference.

SYSTEM CONFIGURATION



1. INSTALLATION

1.1 Equipment Lists

Standard supply

Name	Type	Code No.	Qty	Remarks
Network Fish Finder	DFF1-UHD	—	1	
Spare Parts	SP02-05601	001-033-740	1 set	Fuse (2 pcs.)
Installation Materials	CP02-08500	000-011-917	1 set	- Power cable assy. (3.5 m) - LAN cable assy. (5 m) - Self-tapping screws

Optional supply

Name	Type	Code No.	Remarks
Transducer	B265LH	000-022-521	1 kW, bronze housing, thru hull
Transducer	CM265LH	000-022-531	1 kW, plastic housing, tank mount
Thru-hull pipe	TFB-7000	000-022-532	
Tank	T-711	000-022-539	
Cable Assembly	MOD-Z072-020+	001-167-880-10	2 m, for HUB-101
Cable Assembly	MOD-Z072-100+	001-167-900-10	10 m, for HUB-101
Speed/Temperature Sensor	ST-02MSB	001-164-150-10	Thru-hull mount, steel hull
	ST-02PSB	001-164-160-10	Thru-hull mount, plastic hull
Temperature Sensor	T-02MTB	000-040-026	Transom mount
	T-02MSB	000-040-040	Thru-hull mount
	T-03MSB	000-040-027	Thru-hull mount
Rectifier	PR-62	000-013-484	100 VAC
		000-013-485	110 VAC
		000-013-486	220 VAC
		000-013-487	230 VAC
Connector Kit for TX Sync	OP02-86	001-205-780	

1.2 Network Fish Finder

The network fish finder can be installed on a desktop, deck or on a bulkhead. When selecting a mounting location, keep the following points in mind:

- The temperature and humidity at the mounting site should be moderate and stable.
- The mounting location must satisfy these requirements to get proper performance.
 - Operating temperature range: -15 to 55°C (-27 to 99°F)
 - Waterproofing standard: IP22
- Locate the unit away from exhaust pipes and vents.
- The mounting location should be well ventilated.
- Mount the unit where shock and vibration are minimal.
- Keep the unit away from electromagnetic field-generating equipment such as motors and generators.
- Leave slack in cables for maintenance and servicing ease.
- A magnetic compass will be affected if the network sounder is placed too close to it. Observe the compass safe distances noted in the safety instructions to prevent interference to the magnetic compass.

Fasten the network sounder to the mounting location with four self-tapping screws (5×20), referring to the outline drawing at the back of this manual for mounting dimensions.

Note: For mounting on a bulkhead, the connectors must face downward to prevent the possibility of water leakage into the unit.



1.3 Transducer

The performance of the fish finder largely depends upon the transducer position. Select a place least affected by air bubbles since turbulence blocks the sounding path. The face of the transducer must be facing the sea bottom in normal cruising trim of the boat. Further, select a place least influenced by engine noise. It is known that air bubbles are fewest at the place where the bow first falls and the next wave rises, at usual cruising speed.

Do not install the transducer inside the hull. Performance cannot be guaranteed.

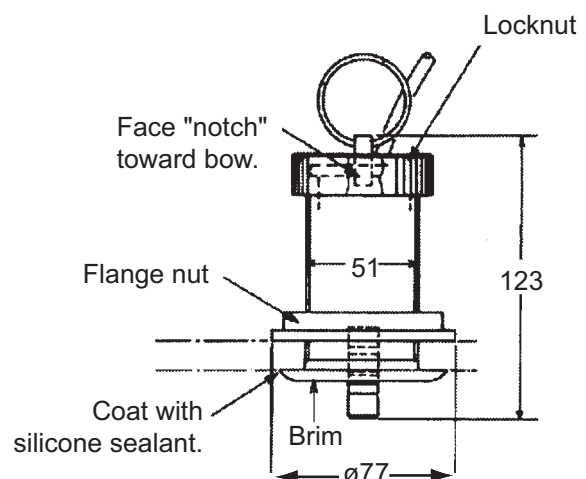
1.4 Optional Speed/Temperature Sensors ST-02MSB, ST-02PSB

1.4.1 Mounting considerations

- Select a mid-boat flat position. The sensor does not have to be installed perfectly perpendicular. However, the sensor must not be located where it may be damaged in dry-docking operations.
- Select a place apart from equipment generating heat.
- Select a place in the forward direction viewing from the drain hole, to allow for circulation of cooling water.
- Select a place free from vibration.
- Do not install near the transducer of an echo sounder, to prevent interference to the echo sounder.

1.4.2 Mounting procedure

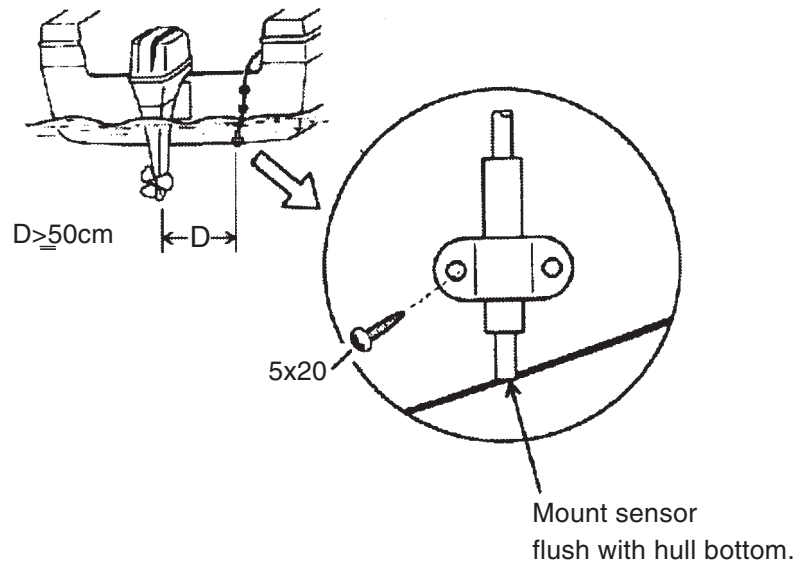
1. Dry dock the boat.
2. Make a hole of approx. 51 mm in diameter in the mounting location.
3. Unfasten locknut and remove the sensor section.
4. Apply high-grade sealant to the flange of the sensor.
5. Pass the sensor casing through the hole.
6. Face the notch on the sensor toward boat's bow and tighten the flange.
7. Set the sensor section to the sensor casing and tighten the locknut.
8. Launch the boat and check for water leakage around the sensor.



1.5 Optional Temperature Sensors

1.5.1 Transom mount temperature sensor T-02MTB

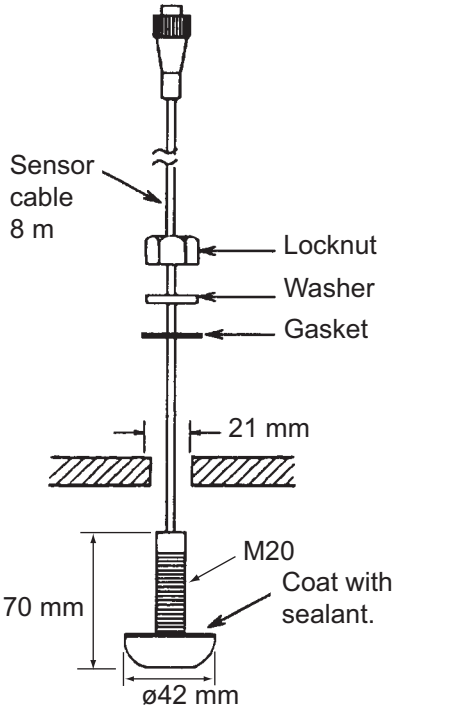
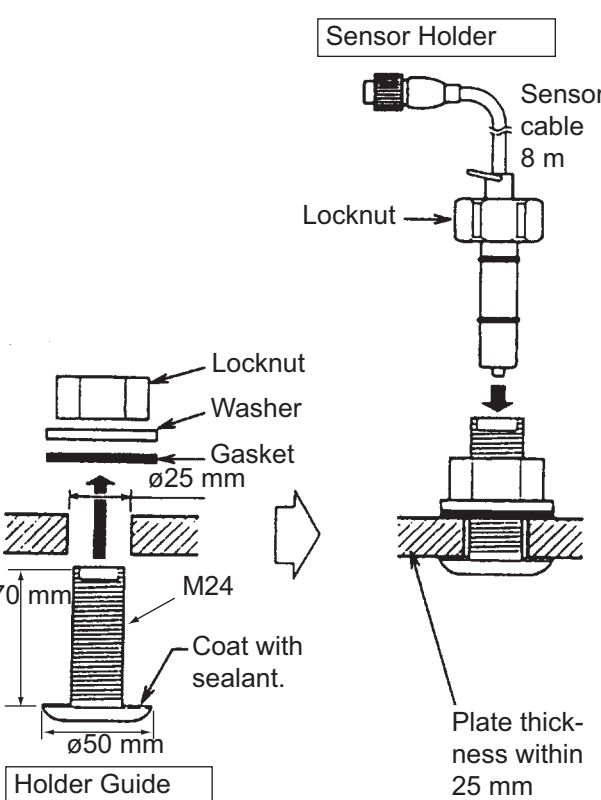
- Fix the cable at a convenient location with cable clamp.
- When the cable is led in through the transom board, make a hole of approx. 17 mm in diameter to pass the connector. After passing the cable, fill the hole with a sealing compound.



1.5.2 Thru-hull temperature sensor T-02MSB, T-03MSB

Select a suitable mounting location considering the following points.

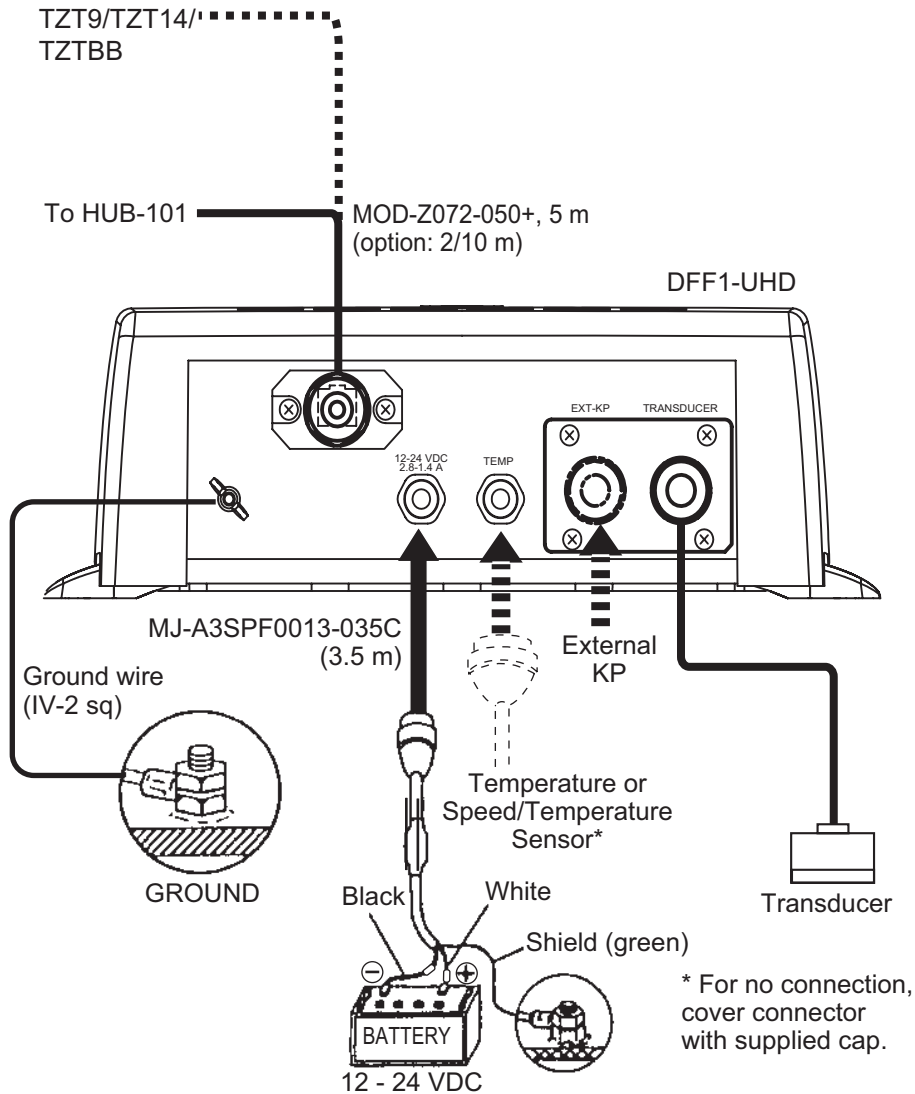
- Select a mid-boat flat position. The sensor does not have to be installed perfectly perpendicular. However, the location should not be such that the transducer may be damaged when the boat is dry-docked.
- Locate away from equipment which gives off heat.
- Locate away from drain pipes.
- Select a location where vibration is minimal.

T-02MSB	T-03MSB
 <p>Mounting procedure</p> <ol style="list-style-type: none"> 1. Drill a hole of 21 mm in diameter in the mounting location. 2. Pass the sensor cable through the hole. 3. Pass gasket, washer and locknut onto cable in that order. 4. Coat the sensor flange with high quality sealant and then fasten the sensor with the locknut. (Torque: max. 59N·m) 5. Launch the boat to check for water leakage around the sensor. 	 <p>Mounting procedure</p> <ol style="list-style-type: none"> 1. Drill a hole of 25 mm in diameter in the mounting location. 2. Coat holder guide with high quality sealant, and pass gasket, washer and locknut onto holder guide in that order and then tighten the locknut. 3. Set the sensor holder to the holder guide from inside the boat and then tighten the locknut. 4. Launch the boat to check for water leakage around the sensor.

2. WIRING

2.1 Wiring Outline

Connect the power cable, transducer cables, sensor cable, network cable and ground wire to their respective locations on the network sounder. See the next page for how to connect the transducer cables.



Ground

Connect a ground wire (IV-2 sq, local supply) between the ground terminal and ship's ground to prevent interference to the sounder picture. Make the length of the wire as short as possible. For FRP vessels, install a ground plate that measures about 20 cm by 30 cm on the outside of the hull bottom and connect the ground wire there.

	CAUTION
	Ground the equipment to prevent mutual interference.

2.2 Transducer Cable, Cable for External KP (option)

If the external KP is not to be connected, do only the applicable procedures in sections 2.2.1 and 2.2.2.

The KP from an echo sounder or sonar can be connected to this network fish finder to synchronize transmission (to prevent interference). Use the optional Connector Kit for TX Sync (Type, OP02-86, Code No. 001-205-780) and cable MPYC-4 (or MPYC-2) for the connection. (The MPYC-4 is a Japan Industrial Standard (JIS) cable. If not available locally, see the Appendix 2 for the equivalent cable.)

Connector kit for TX sync

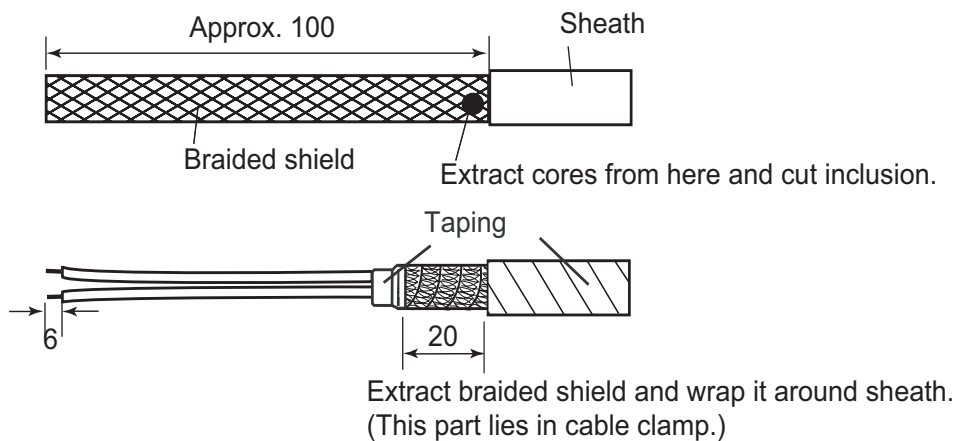
Name	Type	Code No.	Qty
Upset UI Screw-B	M4×20	000-163-756-10	2
Super Gland	MGB20M-12B	000-177-248-10	1
PH Connector Assembly	02-1097 (4P)	001-206-000	1
Cable Clamping Plate	02-167-1528	100-379-090-10	1
Rainproofing Panel KP	02-167-1529	100-379-100-10	1
EMI Core	GRFC-10	000-177-010-10	1
Crimp-on Lug	NCW-1.25	000-157-213-10	4

2.2.1 How to process the cables

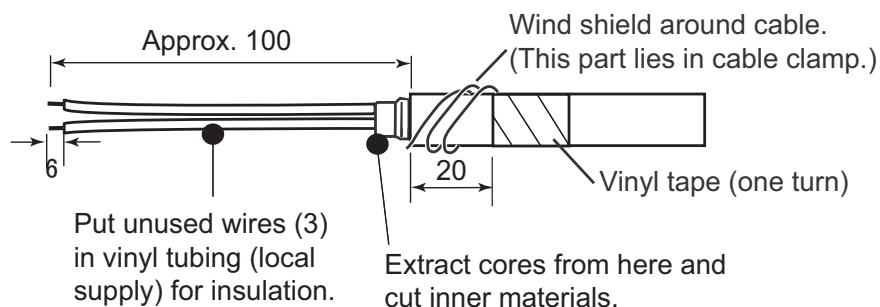
Note: The label on the transducer cable can be removed if it interferes with treatment of the cable.

How to process the transducer cable

CM265LH



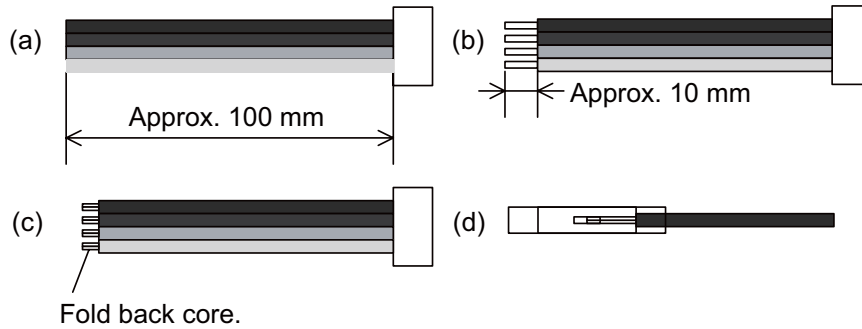
B265LH



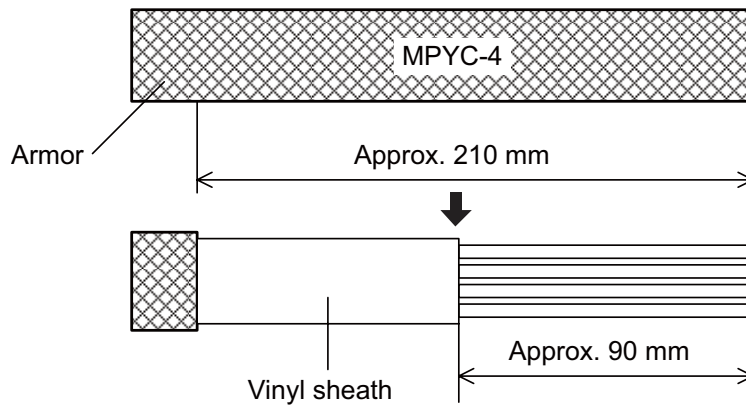
2. WIRING

How to process the cable for the external KP

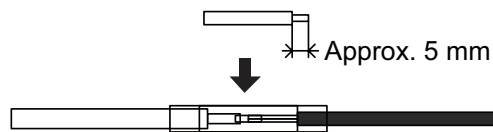
1. Process the PH connector (02-1097, optional supply) as shown below.
 - a) Make the length of the wires of the PH connector 100 mm.
 - b) Remove the sheath from the cores 10 mm.
 - c) Fold back the cores in half.
 - d) Attach crimp-on lug NCW-1.25 to each core.



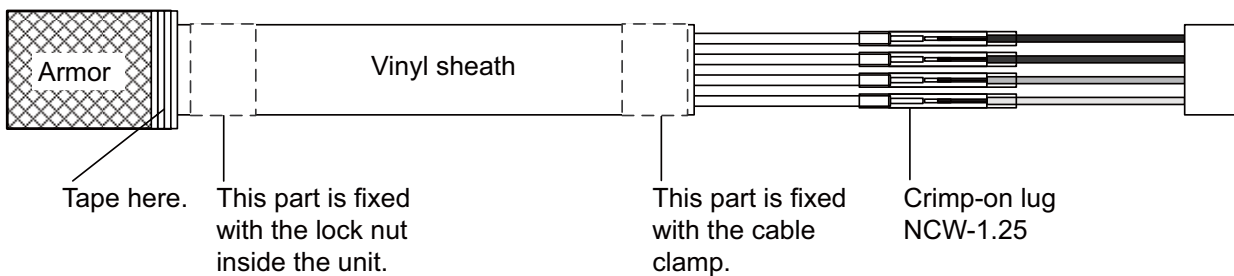
2. Remove the armor 170 mm and cut off the vinyl sheath 90 mm.



3. Remove 5 mm of the vinyl sheath from the cores then connect each crimp-on lug (attached at step 2) as shown below.



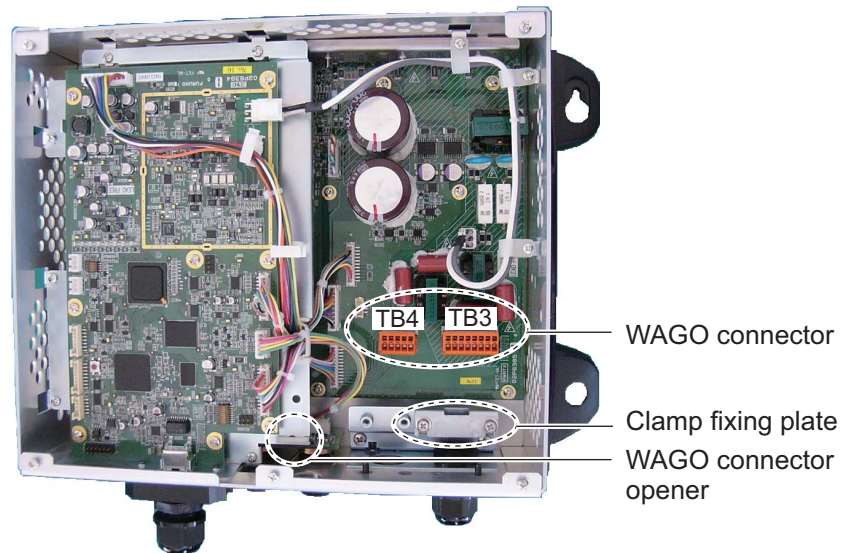
4. Wrap the armor with vinyl tape.



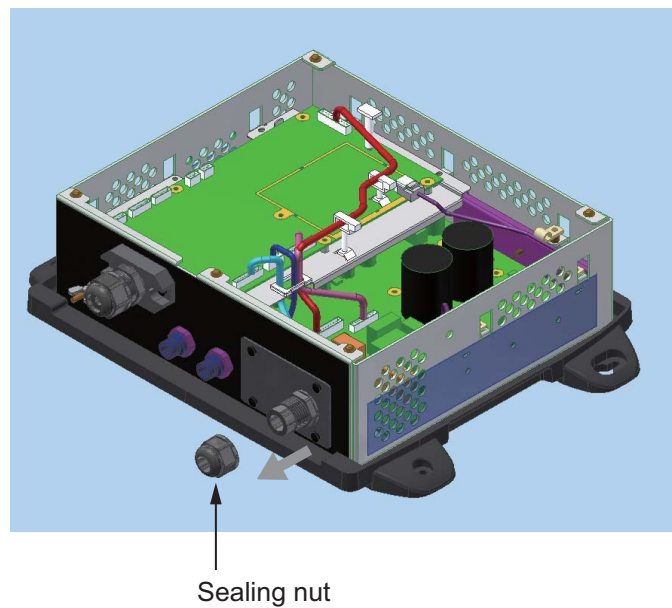
2.2.2 How to connect the transducer cable

This procedure shows you how to connect the transducer cable. To connect both the transducer cable and the cable for external KP, go to section 2.2.3.

1. Open the cover: Grasp the cover at two sides, spread the cover slightly and lift.
2. Loosen five screws to remove the shield cover.
3. Detach the two WAGO connectors (TB3, TB4) inside the equipment.

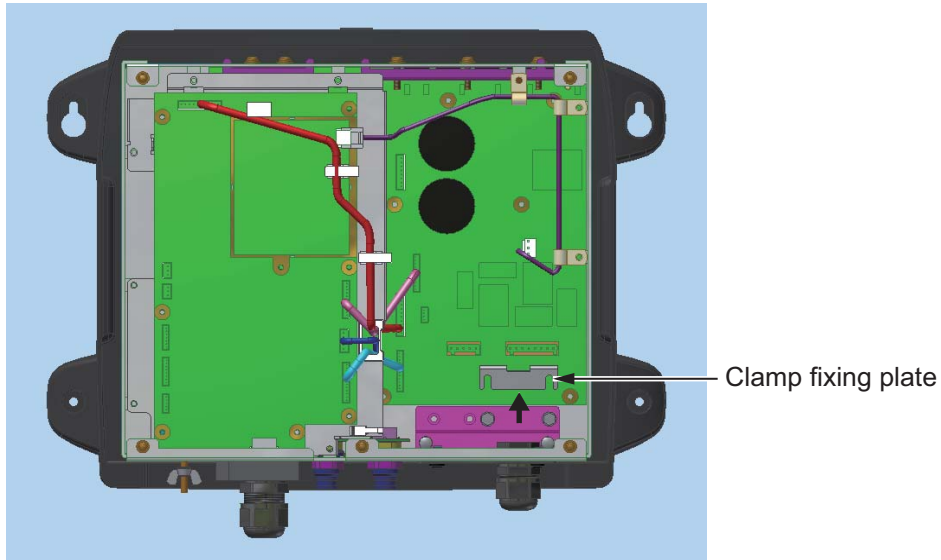


4. Unfasten the sealing nut from the super gland for the transducer cable.

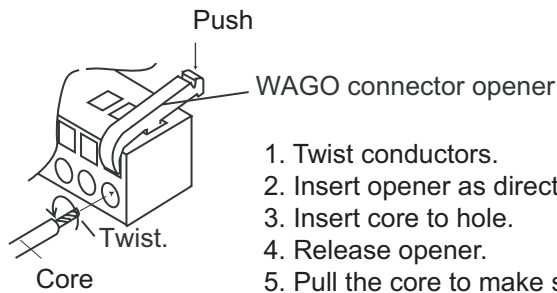


2. WIRING

5. Loosen the two screws fixing the clamp fixing plate to detach the plate.

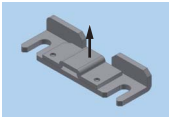
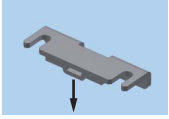


6. Pass the sealing nut (unfastened at step 4) onto the transducer cable and pass the cable through the super gland and into the unit.
7. Use the WAGO connector opener, attached inside the equipment, to connect the transducer cable to the WAGO connectors, following the instructions in the figure below and the interconnection diagram.




1. Twist conductors.
2. Insert opener as directed and press it down.
3. Insert core to hole.
4. Release opener.
5. Pull the core to make sure it is correctly inserted.

8. Attach the WAGO connectors.
9. Refasten the clamp fixing plate, referring to the table below for how to orient the plate.

Transducer type	Clamp fixing plate orientation	
CM265LH	Projection on plate upward	
B265LH	Projection on plate downward	

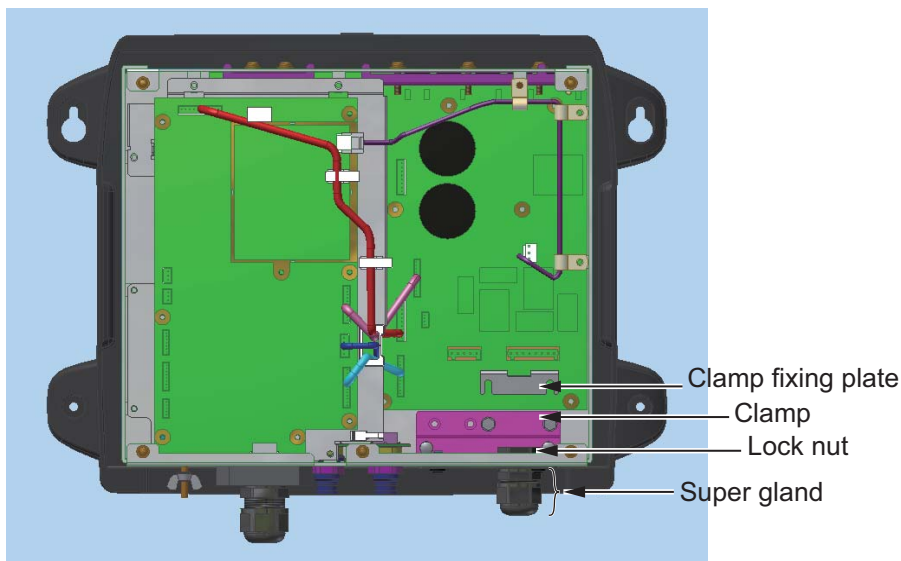
10. Tighten the sealing nut according to the information in the table below.

Transducer	Clearance		Torque
CM265LH	4 mm		1.8 - 2.0N/m
B265LH	2 mm		

11. Reattach the shield cover and close the outer cover.

2.2.3 How to connect the transducer cable, cable for external KP

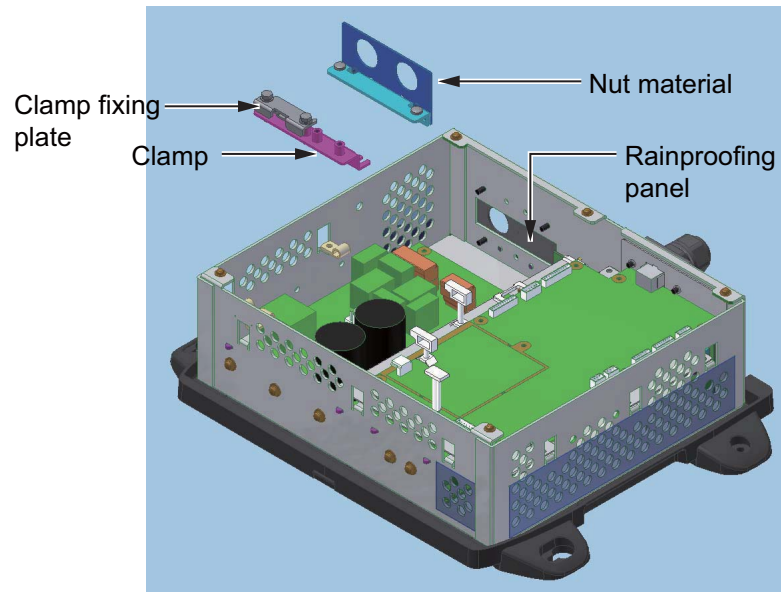
1. Remove the cover, shield cover and WAGO connectors, referring to steps 1-3 in section 2.2.2.
2. Unfasten the lock nut of the inside the unit to detach the super gland.



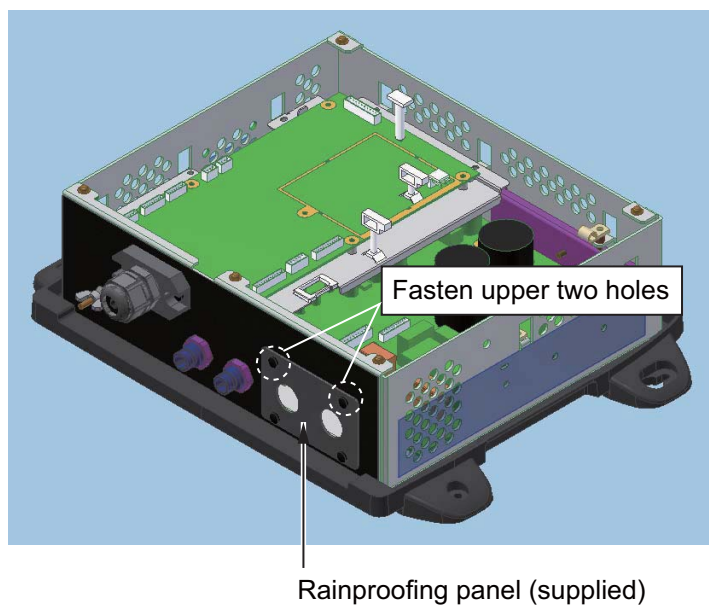
3. Unfasten two screws to remove the clamp fixing plate.
4. Unfasten two screws securing the clamp. Save the screws for later use.
5. Unfasten the four screws securing the rainproofing panel. You may discard the panel. Save the screws for later use.

2. WIRING

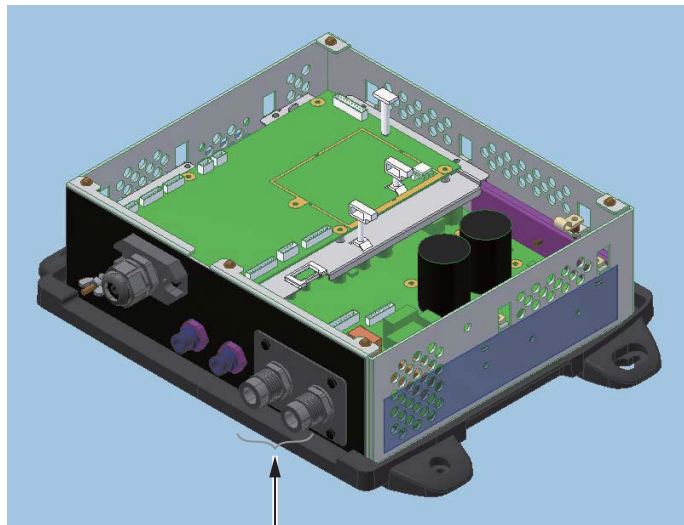
6. Unfasten the nut material inside the unit.



7. Using the two screws removed at step 5, fasten the upper two holes of the supplied rainproofing panel.

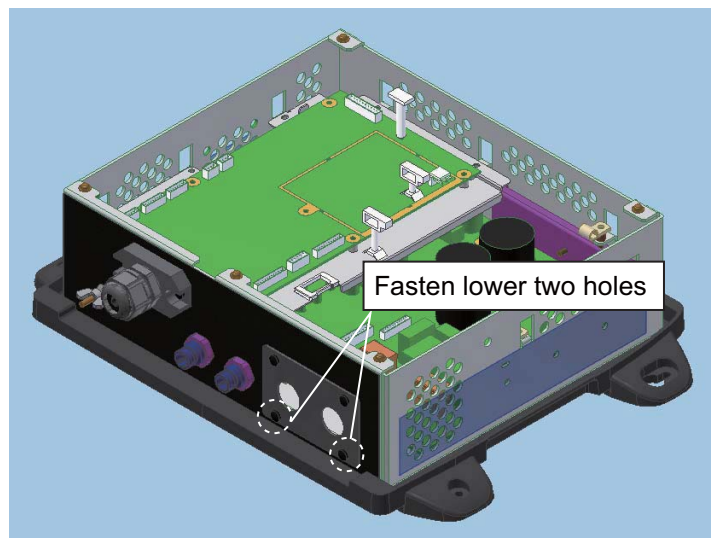


8. Tighten the lock nut inside the unit to fasten the super glands (two pcs., see step 12). The torque for the lock nut shall be 1.8 - 2.0 N/m.



Super gland (two pcs.)

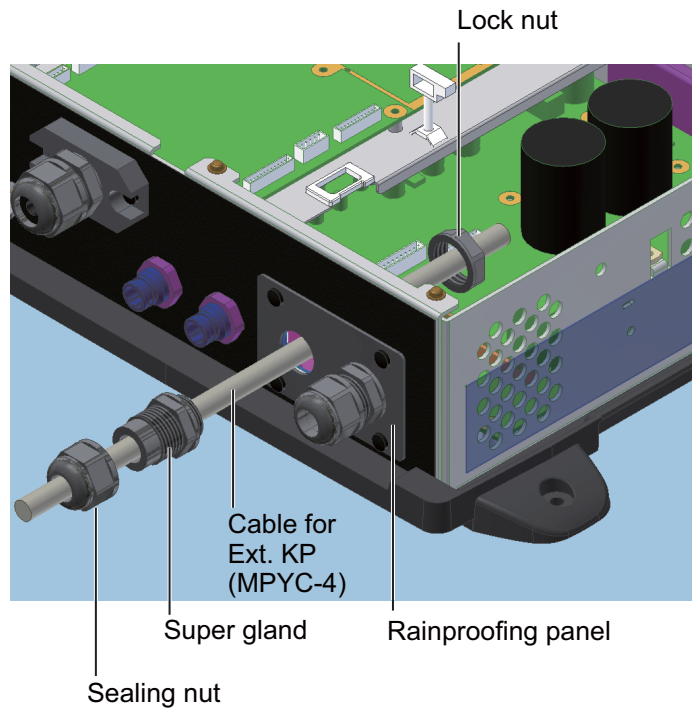
9. Set the nut material (removed at step 6) inside the unit, align its two protrusions with the lower holes on the rainproofing panel. Use the remaining two screws removed at step 5 to fasten the lower two holes on the rainproofing panel.



10. Use two screws to fasten the clamp removed at step 4.

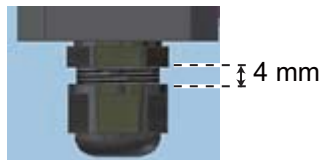
2. WIRING

11. **For the transducer cable and the cable for the external KP**, pass each cable through its super gland, the supplied rainproofing panel and each hole in the unit. Then slip a lock nut onto each cable. (For the super gland of the cable for the external KP, unfasten the lock nut from the super gland then pass the cable through the super gland. See page 8 for how to treat the cable end.)



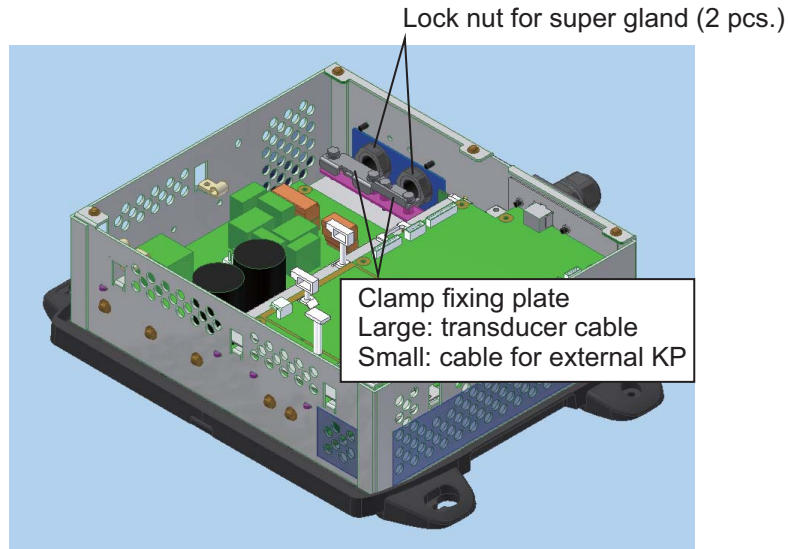
After passing the cable for the external KP, do as follows:

- Assemble the super gland.
- Tighten the sealing nut until the clearance is 4 mm. The torque shall be 1.8 - 2.0N/m.



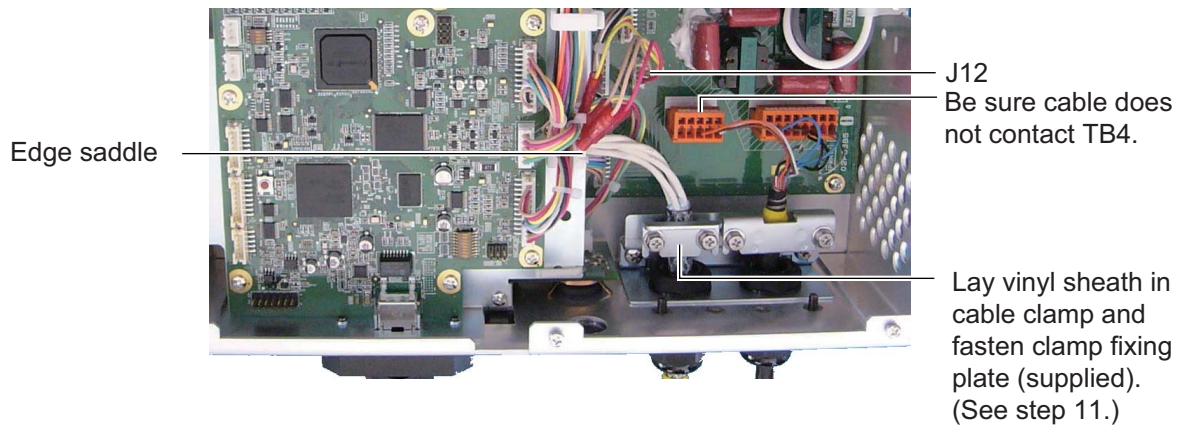
12. **Transducer cable:** Lay the transducer cable in the cable clamp then refasten the clamp fixing plate.

Cable for the external KP: Lay the cable in the cable clamp and fix it with the supplied clamp fixing plate and two upset screws.

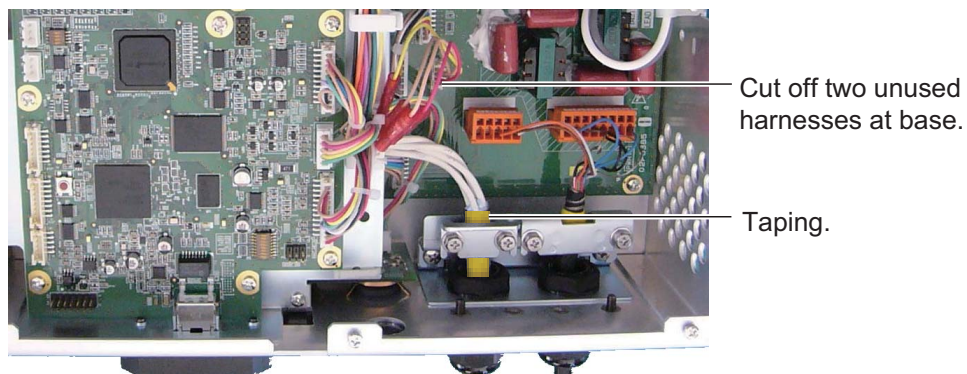


13. Connect the cables as follows:

- **Transducer cable:** See section 2.2.2.
- **Cable for external KP:** See the illustration below. Pass the cable through the edge saddle and connect the cable to J12 on the PWRTX board. Be sure the cable does not contact TB4.

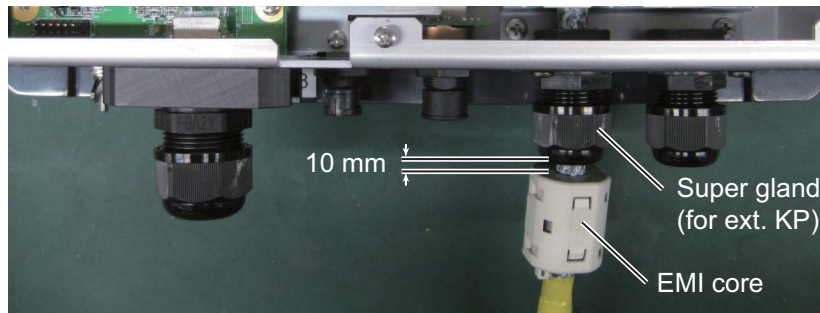


Note: For cable MPYC-2, tape the vinyl sheath of the cable (approx. 6 to 7 turns) where it lies in the cable clamp and fasten the cable clamp. The PH connector has two unused harnesses. Cut them at their base or wrap them with vinyl tape.



2. WIRING

14. Attach the supplied EMI core (GRFC-10) to the cable for the external KP approx. 100 mm from the super gland.

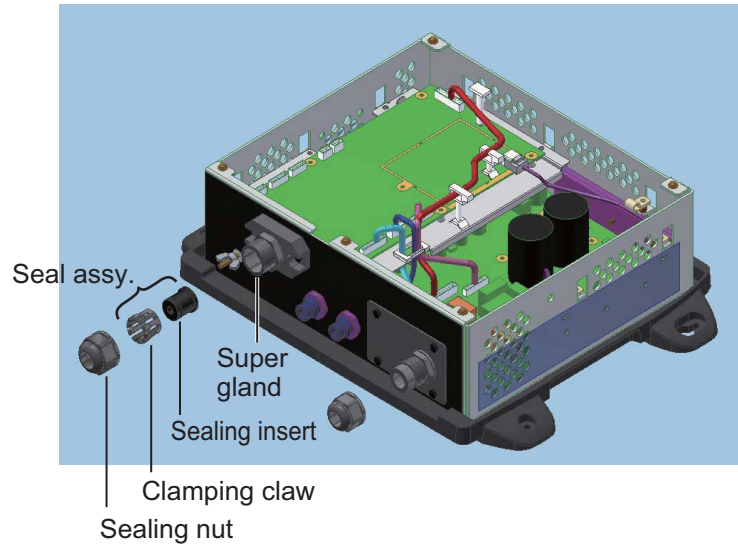


15. Attach the shield cover and close the outer cover.

2.3 LAN Cable

Do as follows to connect the supplied LAN cable (MOD-Z072-050+) or the optional LAN cable (MOD-Z072-020+, MOD-Z072-100+).

1. Unfasten the sealing nut from the LAN connector then remove the sealing insert and clamping claw.
2. Detach the sealing insert from the clamping claw as shown below.



How to detach clamping claw



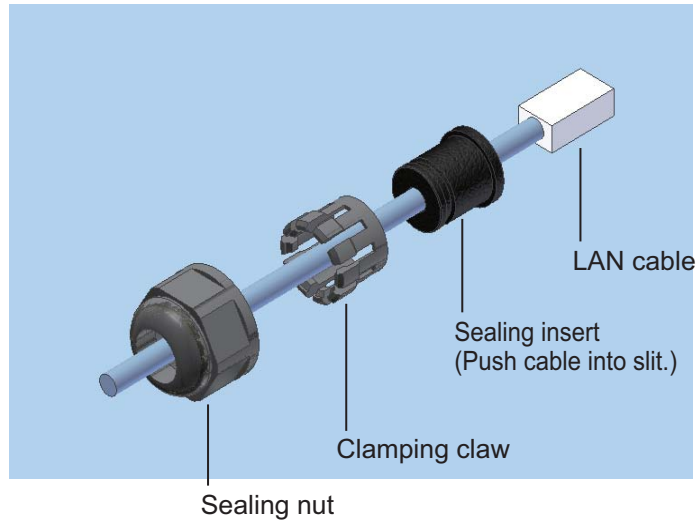
Hold the clamping claw/seal assembly as shown left, with the teeth of the clamping claw toward you.



Push in the sealing insert with your thumbs.

2. WIRING

3. Pass the sealing nut, clamping claw and sealing insert onto the LAN cable in the order shown in the figure below. Connect the cable to the LAN connector. (Note the orientation of the sealing insert when passing it onto the cable. Push the cable into the slit.)

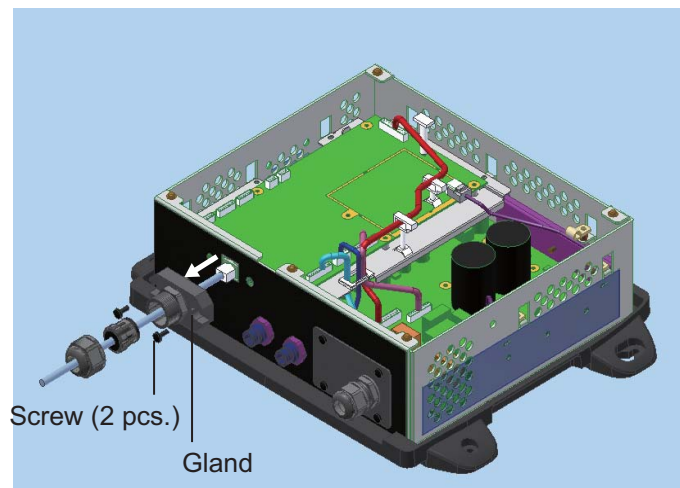


4. Set the sealing insert and clamping claw into the sealing nut then tighten the nut.
5. Tighten the sealing nut to fasten the LAN cable. The clearance between the lock nut and the sealing nut shall be 3 mm. The torque for the sealing nut shall be 1.8 - 2.0 N/m.



How to disconnect the LAN cable

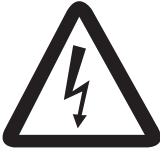
Loosen the two screws on the gland to access the cable's connector. A lock washer is fitted to the gland and the screws cannot be unfastened completely.



3. INITIAL SETTINGS

⚠

WARNING

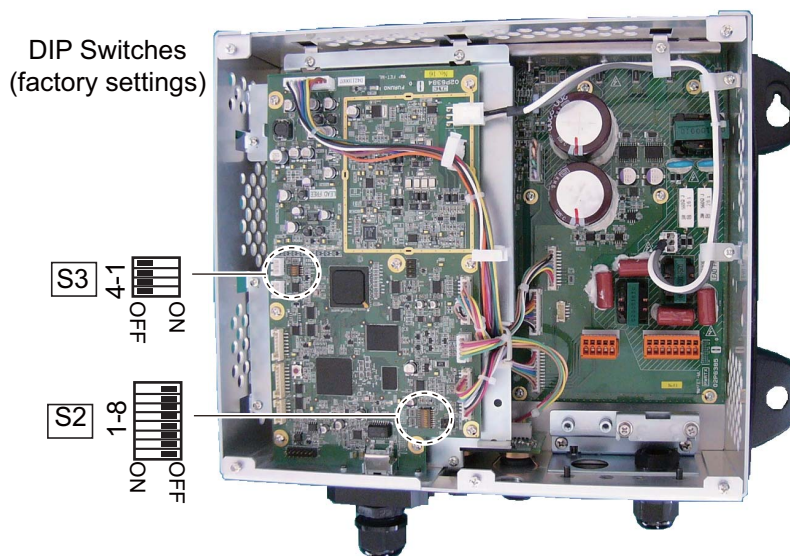


Do not open the equipment unless totally familiar with electrical circuits.

Only qualified personnel should work inside the equipment.

3.1 DIP Switch Setting

The DIP switch S2 sets up the system according to the equipment connected. In the default setting all switches (1-8) are OFF. The DIP switch S3 should not be adjusted; leave all switches in the OFF position.



DIP switch S2 description

Switch No.	Function	Setting
1	IP mode	OFF: Fixed (static) IP address. Set the IP address with switch #2, referring to the table below. ON: Use IP address assigned by DHCP.
2	IP address no.	OFF: Set the #1 switch to OFF to set IP address. See the table on the next page for IP address assignment.
3	Restore default settings (other than LAN and transducer)	See section 4.3.
4	Restore ALL default settings	See section 4.3.
5 - 6	Keep these switches in the OFF position.	
7	No use	
8	No use	

#2	Host name	IP address
OFF	ES092002	172.031.092.002
ON	ES092003	172.031.092.003

After setting up the transducer at the DFF1-UHD, set the transducer type at the NavNet device. See respective Installation Manual for the procedure.

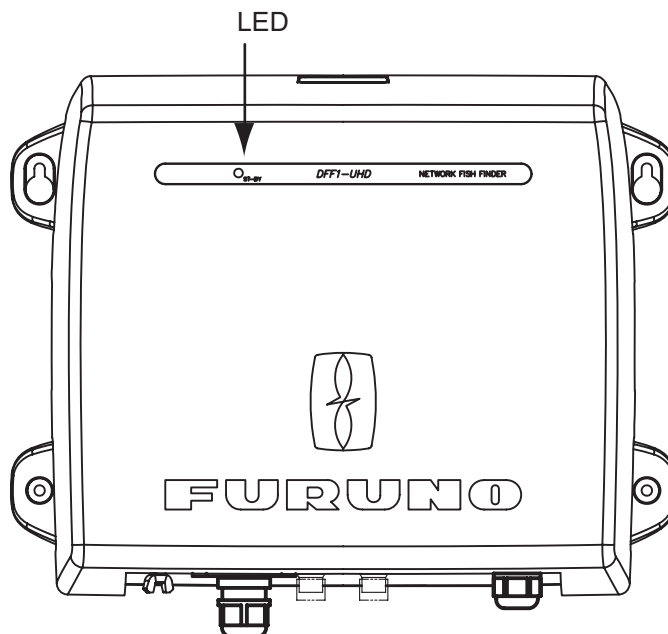
Note: DIP Switch S2 is for factory use. Do not change the settings.

3.2 Operation Check

For NavNet TZtouch, the DFF1-UHD is powered on/off from ship's switchboard. For NavNet 3D, it is powered on/off from the display unit. The LED on the cover of the DFF1-UHD lights or blinks according to equipment state, as described in the table below.

LED state and meaning

LED state	Meaning
Lighting continuously	<ul style="list-style-type: none"> Standby state. (If no signal is received via LAN for more than 10 minutes, the equipment automatically goes into standby to lessen power consumption.) Power on (20 seconds during initialization) IP address not set
Blinking every two seconds	Normal operation
Blinking every 0.4 seconds	Transducer settings at NavNet device not properly set.




4. MAINTENANCE

⚠ WARNING

ELECTRICAL SHOCK HAZARD
Do not open the equipment.

Only qualified personnel should work inside the equipment.



NOTICE

Do not apply paint, anti-corrosive sealant or contact spray to coating or plastic parts of the equipment.

Those items contain organic solvents that can damage coating and plastic parts, especially plastic connectors.

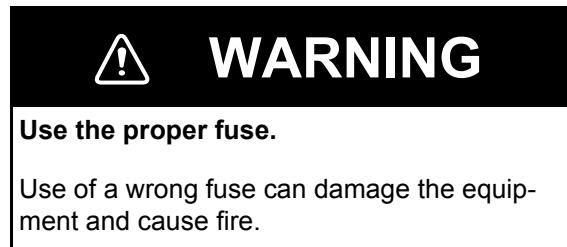
4.1 Maintenance

Regular maintenance is essential for good performance. Check the items listed in the table below at the suggested interval to help keep your equipment in good shape for years to come.

Item	Check point, action	Check interval
Transducer cable	Check that cable is tightly fastened and is not damaged. Refasten if necessary. Replace if damaged.	Once a month
Power cable, sensor cable	Check that these cables are tightly fastened and not damaged. Refasten if necessary. Replace if damaged.	Once a month
Ground	Check for corrosion. Clean if necessary.	Once a month
Power supply voltage	Check voltage. If out of rating correct problem.	Once a month
Cleaning the network fish finder's cabinet	Dust or dirt on the cabinet may be removed with a dry cloth. Do not use chemical-based cleaners to clean the cabinet; they can remove markings and damage the cabinet.	Once a month
Transducer	Marine life on the transducer face will result in a gradual decrease in sensitivity. Check the transducer face for cleanliness each time the boat is removed from the water. Carefully remove any marine life with a piece of wood or fine-grade sandpaper.	When vessel is removed from the water

4.2 How to Replace the Fuse

The 5A fuse (Type: FGBO-A 125V 5A PBF, Code No. 000-155-853-10) in the snap-in fuse holder on the power cable protects the equipment from equipment fault and reverse polarity of the power supply. If the equipment cannot be powered, the fuse may have blown. Find out the cause for the blown fuse before replacing it. If the fuse blows again after replacement, contact a FURUNO agent or dealer for instructions.



4.3 How to Restore Default Settings

This procedure restores all default sounder settings on the NavNet series device. You can restore all default settings or restore those other than transducer and LAN. This procedure should only be performed by a suitably qualified FURUNO technician.

1. Disconnect the power and LAN cables from the DFF1-UHD.
2. Turn on the #3 or #4 switch of DIP Switch S3 as applicable.
#3: Restore default settings other than LAN and transducer.
#4: Restore all default settings. Use this when changing transducers.
3. Connect the power cable to the DFF1-UHD, and turn on the power at the ship's switchboard.
4. The LED blinks (every 0.4 seconds) when default settings are completely restored.
5. Set up the transducer at the NavNet equipment.

APPENDIX 1 JIS CABLE GUIDE

Cables listed in the manual are usually shown as Japanese Industrial Standard (JIS). Use the following guide to locate an equivalent cable locally.

JIS cable names may have up to 6 alphabetical characters, followed by a dash and a numerical value (example: DPYC-2.5). For core types D and T, the numerical designation indicates the *cross-sectional Area (mm²)* of the core wire(s) in the cable. For core types M and TT, the numerical designation indicates the *number of core wires* in the cable.

1. Core Type 2. Insulation Type 3. Sheath Type

D Double core power line **P** Ethylene Propylene Rubber **Y** PVC (Vinyl)

T Triple core power line

M Multi core

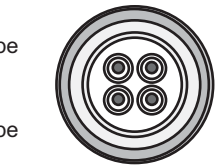
TT Twisted pair communications (1Q=quad cable)



DPYCY



TPYCY



MPYC-4



TTYCSLA-4

4. Armor Type 5. Sheath Type 6. Shielding Type

C Steel

Y Anticorrosive vinyl sheath

SLA All cores in one shield, plastic tape w/aluminum tape

-SLA Individually shielded cores, plastic tape w/aluminum tape

EX: ^{1 2 3 4 5 6} DPYCYSLA - 1.5 ^{1 2 3 4} MPYC - 4
 Designation type Core Area (mm²) Designation type # of cores

The following reference table lists gives the measurements of JIS cables commonly used with Furuno products:

Type	Core		Cable Diameter	Type	Core		Cable Diameter
	Area	Diameter			Area	Diameter	
DPYC-1.5	1.5mm ²	1.56mm	11.7mm	TPYCY-1.5	1.5mm ²	1.56mm	14.5mm
DPYC-2.5	2.5mm ²	2.01mm	12.8mm	TPYCY-2.5	2.5mm ²	2.01mm	15.5mm
DPYC-4	4.0mm ²	2.55mm	13.9mm	TPYCY-4	4.0mm ²	2.55mm	16.9mm
DPYC-6	6.0mm ²	3.12mm	15.2mm	TPYCYSLA-1.5	1.5mm ²	1.56mm	13.9mm
DPYC-10	10.0mm ²	4.05mm	17.1mm	TTYC-7SLA	0.75mm ²	1.11mm	20.8mm
DPYC-16	16.0mm ²	5.10mm	19.4mm	TTYCSLA-1	0.75mm ²	1.11mm	9.4mm
DPYCY-1.5	1.5mm ²	1.56mm	13.7mm	TTYCSLA-1Q	0.75mm ²	1.11mm	10.8mm
DPYCY-2.5	2.5mm ²	2.01mm	14.8mm	TTYCSLA-4	0.75mm ²	1.11mm	15.7mm
DPYCY-4	4.0mm ²	2.55mm	15.9mm	TTYCY-4SLA	0.75mm ²	1.11mm	19.5mm
DPYCYSLA-1.5	1.5mm ²	1.56mm	11.9mm	TTYCYSLA-1	0.75mm ²	1.11mm	11.2mm
DPYCYSLA-2.5	2.5mm ²	2.01mm	13.0mm	TTYCYSLA-4	0.75mm ²	1.11mm	17.9mm
MPYC-2	1.0mm ²	1.29mm	10.0mm				
MPYC-4	1.0mm ²	1.29mm	11.2mm				
MPYC-7	1.0mm ²	1.29mm	13.2mm				
MPYCY-12	1.0mm ²	1.29mm	19.0mm				
MPYCY-19	1.0mm ²	1.29mm	22.0mm				

SPECIFICATIONS OF NETWORK FISH FINDER DFF1-UHD

1 GENERAL

- 1.1 TX frequency 50/200 kHz, alternative transmission
- 1.2 Output power 1 kW nominal
- 1.3 Amplifier type Straight amplifier (H/L gain switching available)
- 1.4 Depth range and Pulse repetition rate (PRR) at 200 kHz, TX rate: 20

Range (m)	PRR (times/min, max.)
2	2403
5	2403
10	1621
40	476
100	222
400	58
1200	34

2 INTERFACE

- 2.1 I/O port
 - Network 1 port
 - Temp/speed sensor 1 port
 - External KP 1 port (external KP kit: option)
- 2.2 Network method Ethernet 10Base-T/100Base-TX

3 POWER SUPPLY

- 3.1 Network fish finder 12-24 VDC: 2.5-1.3 A
- 3.2 Rectifier (PR-62, option) 100/110/220/230 VAC, 1 phase, 50/60 Hz

4 ENVIRONMENTAL CONDITIONS

- 4.1 Ambient temperature -15°C to +55°C
- 4.2 Relative humidity 93% or less at +40°C
- 4.3 Degree of protection IP22
- 4.4 Vibration IEC 60945 Ed.4

5 UNIT COLOR

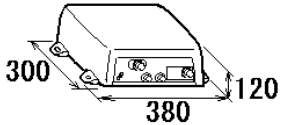
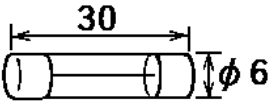
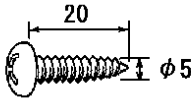
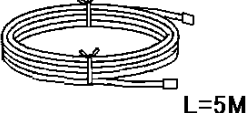

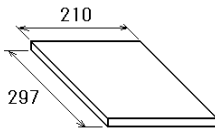
- 5.1 Network fish finder N2.5 (fixed)

PACKING LIST

02GL-X-9851 -0 1/1

DFF1-UHD

A-1

NAME	OUTLINE	DESCRIPTION/CODE No.	QTY
UNIT			
NETWORK FISH FINDER		DFF1-UHD	1
		000-022-520-00	
SPARE PARTS			
SP02-05601			
GLASS TUBE FUSE		FGBO-A 125V 5A PBF	2
		000-155-853-10	
INSTALLATION MATERIALS			
CP02-08500			
SELF-TAPPING SCREW		5X20 SUS304	4
		000-162-608-10	
LAN CABLE ASSEMBLY		MOD-Z072-050+	1
		000-167-176-10	
CABLE ASSEMBLY		MJ-A3SPF0013-035C (5A)	1
		000-157-939-10	
DOCUMENT			
OPERATOR'S MANUAL		OM*-20400-*	1
		000-177-244-1* **	

CODE NUMBER ENDING WITH "***" INDICATES THE CODE NUMBER OF REPRESENTATIVE MATERIAL.

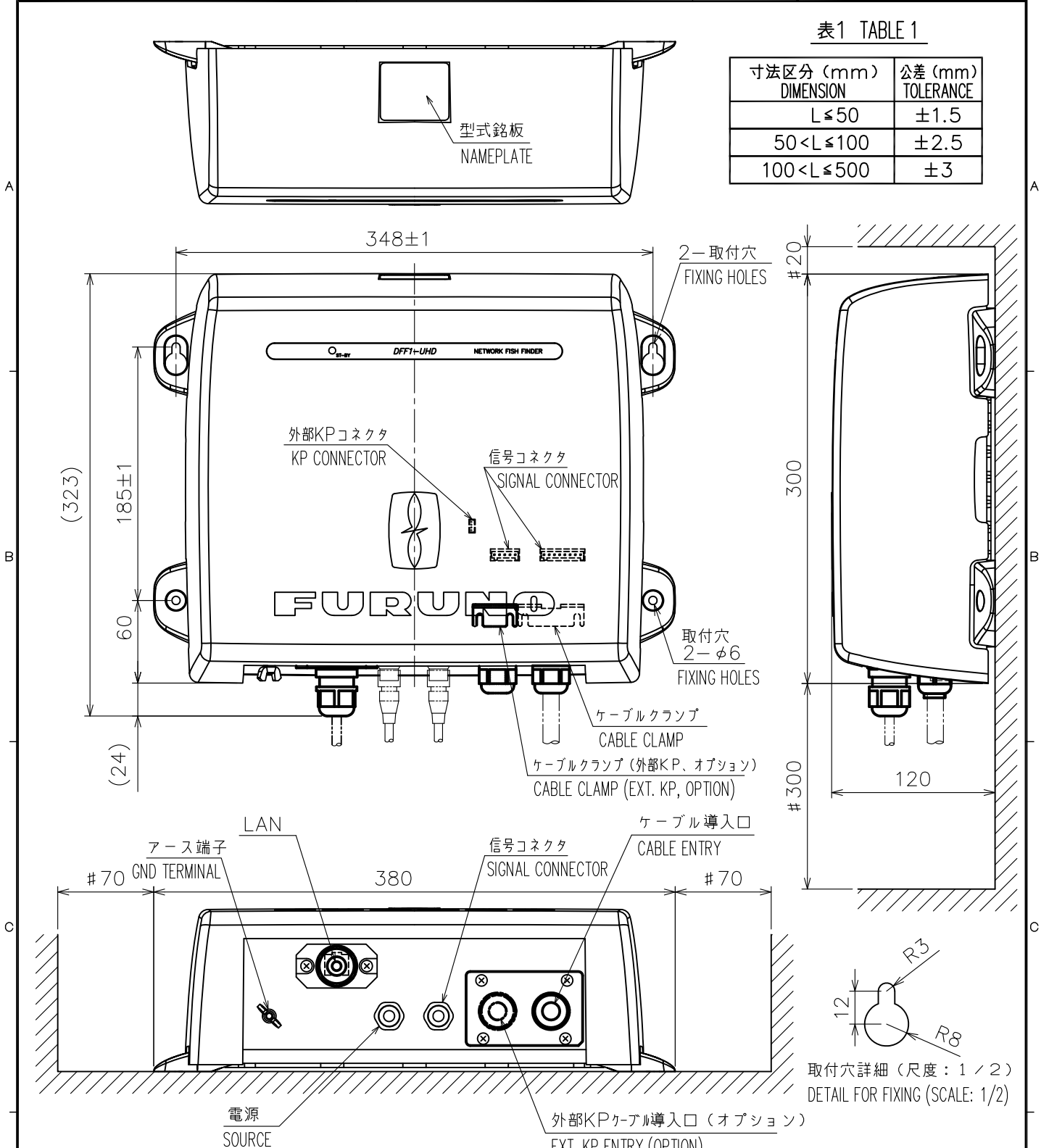
TWO TYPES AND CODES MAY BE LISTED FOR AN ITEM. THE LOWER PRODUCT MAY BE SHIPPED IN PLACE OF THE UPPER PRODUCT. QUALITY IS THE SAME.

(DIMENSIONS IN DRAWING FOR REFERENCE ONLY.)

02GL-X-9851

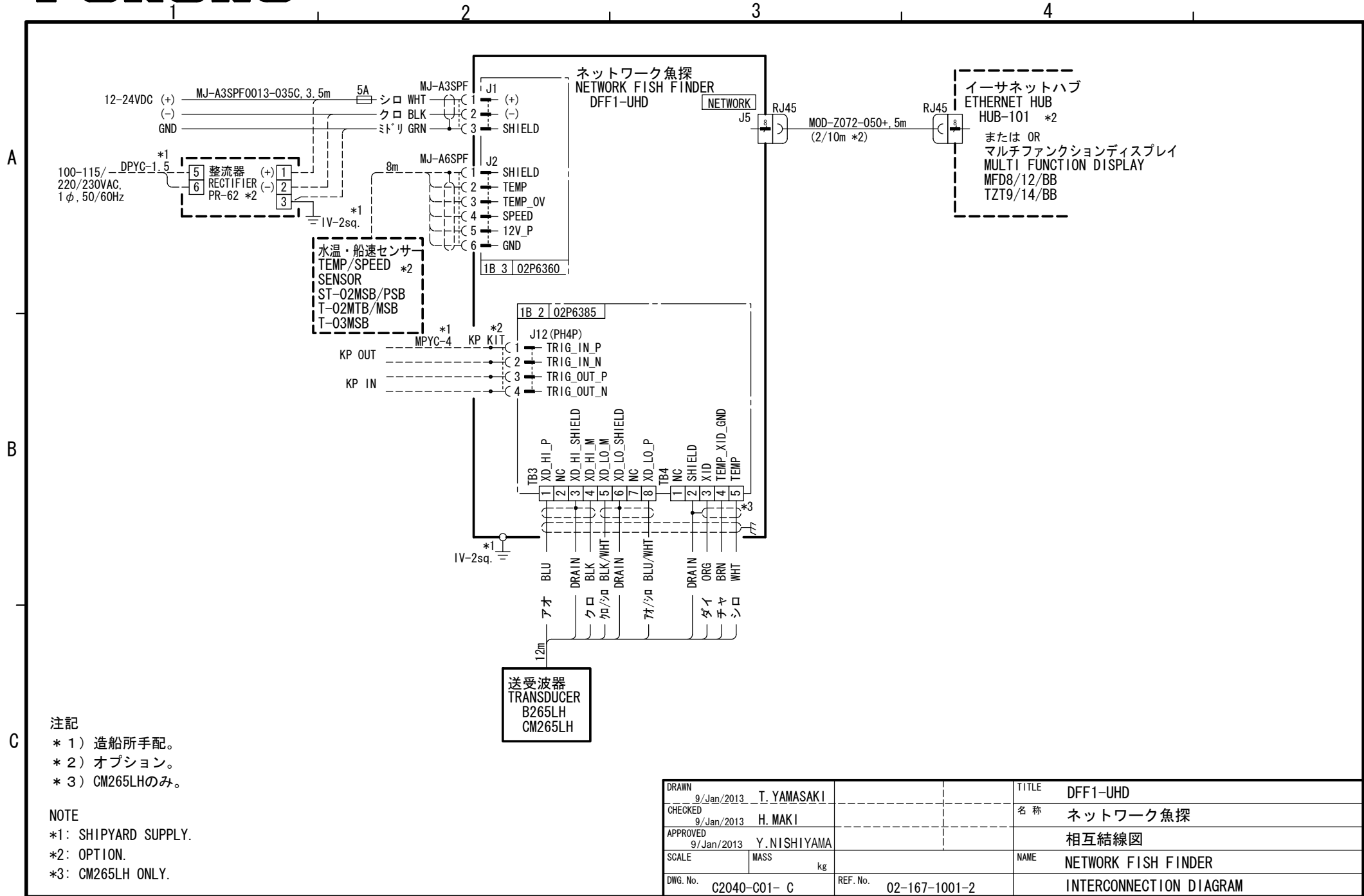
表1 TABLE 1

寸法区分 (mm) DIMENSION	公差 (mm) TOLERANCE
L ≤ 50	±1.5
50 < L ≤ 100	±2.5
100 < L ≤ 500	±3



- 注 記
- 1) 指定外の寸法公差は表1による。
 - 2) #印寸法は最小サービス空間寸法とする。
 - 3) 取付用ネジはトラスタッピンネジ呼び径5×20を使用のこと。
- NOTE
1. TABLE 1 INDICATES TOLERANCE OF DIMENSIONS WHICH IS NOT SPECIFIED.
 2. # MINIMUM SERVICE CLEARANCE.
 3. USE TAPPING SCREWS Ø5x20 FOR FIXING THE UNIT.

DRAWN 6/Dec/2012 T.YAMASAKI	TITLE DFF1-UHD
CHECKED 6/Dec/2012 H.MAKI	名称 ネットワーク魚探
APPROVED 7/Dec/2012 Y.NISHIYAMA	外寸図
SCALE 1/4 MASS 3.5 ±10% kg	NAME NETWORK FISH FINDER
DWG. No. C2040-G01-B	REF. No. 02-167-100G-3
OUTLINE DRAWING	



注記

- * 1) 造船所手配。
- * 2) オプション。
- * 3) CM265LHのみ。

NOTE

- *1: SHIPYARD SUPPLY.
- *2: OPTION.
- *3: CM265LH ONLY.

DRAWN	9/Jan/2013	T. YAMASAKI	TITLE	DFF1-UHD
CHECKED	9/Jan/2013	H. MAKI	名称	ネットワーク魚探
APPROVED	9/Jan/2013	Y. NISHIYAMA		相互結線図
SCALE	MASS	kg	NAME	NETWORK FISH FINDER
DWG. No.	C2040-C01- C		REF. No.	02-167-1001-2
				INTERCONNECTION DIAGRAM

FURUNO Worldwide Warranty for Pleasure Boats (Except North America)

This warranty is valid for products manufactured by Furuno Electric Co. (hereafter FURUNO) and installed on a pleasure boat. Any web based purchases that are imported into other countries by anyone other than a FURUNO certified dealer may not comply with local standards. FURUNO strongly recommends against importing these products from international websites as the imported product may not work correctly and may interfere with other electronic devices. The imported product may also be in breach of the local laws and mandated technical requirements. Products imported into other countries as described previously shall not be eligible for local warranty service.

For products purchased outside of your country please contact the national distributor of Furuno products in the country where purchased.

This warranty is in addition to the customer's statutory legal rights.

1. Terms and Conditions of Warranty

FURUNO guarantees that each new FURUNO product is the result of quality materials and workmanship. The warranty is valid for a period of 2 years (24 months) from the date of the invoice, or the date of commissioning of the product by the installing certified dealer.

2. FURUNO Standard Warranty

The FURUNO standard warranty covers spare parts and labour costs associated with a warranty claim, provided that the product is returned to a FURUNO national distributor by prepaid carrier.

The FURUNO standard warranty includes:

- Repair at a FURUNO national distributor
- All spare parts for the repair
- Cost for economical shipment to customer

3. FURUNO Onboard Warranty

If the product was installed/commissioned and registered by a certified FURUNO dealer, the customer has the right to the onboard warranty.

The FURUNO onboard warranty includes

- Free shipping of the necessary parts
- Labour: Normal working hours only
- Travel time: Up to a maximum of two (2) hours
- Travel distance: Up to a maximum of one hundred and sixty (160) KM by car for the complete journey

4. Warranty Registration

For the Standard Warranty - presentation of product with serial number (8 digits serial number, 1234-5678) is sufficient. Otherwise, the invoice with serial number, name and stamp of the dealer and date of purchase is shown.

For the Onboard Warranty your FURUNO certified dealer will take care of all registrations.

5. Warranty Claims

For the Standard Warranty - simply send the defective product together with the invoice to a FURUNO national distributor. For the Onboard Warranty – contact a FURUNO national distributor or a certified dealer. Give the product's serial number and describe the problem as accurately as possible.

Warranty repairs carried out by companies/persons other than a FURUNO national distributor or a certified dealer is not covered by this warranty.

6. Warranty Limitations

When a claim is made, FURUNO has a right to choose whether to repair the product or replace it.

The FURUNO warranty is only valid if the product was correctly installed and used. Therefore, it is necessary for the customer to comply with the instructions in the handbook. Problems which result from not complying with the instruction manual are not covered by the warranty.

FURUNO is not liable for any damage caused to the vessel by using a FURUNO product.

The following are excluded from this warranty:

- a. Second-hand product
- b. Underwater unit such as transducer and hull unit
- c. Routine maintenance, alignment and calibration services.
- d. Replacement of consumable parts such as fuses, lamps, recording papers, drive belts, cables, protective covers and batteries.
- e. Magnetron and MIC with more than 1000 transmitting hours or older than 12 months, whichever comes first.
- f. Costs associated with the replacement of a transducer (e.g. Crane, docking or diver etc.).
- g. Sea trial, test and evaluation or other demonstrations.
- h. Products repaired or altered by anyone other than the FURUNO national distributor or an authorized dealer.
- i. Products on which the serial number is altered, defaced or removed.
- j. Problems resulting from an accident, negligence, misuse, improper installation, vandalism or water penetration.
- k. Damage resulting from a force majeure or other natural catastrophe or calamity.
- l. Damage from shipping or transit.
- m. Software updates, except when deemed necessary and warrantable by FURUNO.
- n. Overtime, extra labour outside of normal hours such as weekend/holiday, and travel costs above the 160 KM allowance
- o. Operator familiarization and orientation.

FURUNO Warranty for North America

FURUNO U.S.A., Limited Warranty provides a twenty-four (24) months LABOR and twenty-four (24) months PARTS warranty on products from the date of installation or purchase by the original owner. Products or components that are represented as being waterproof are guaranteed to be waterproof only for, and within the limits, of the warranty period stated above. The warranty start date may not exceed eighteen (18) months from the original date of purchase by dealer from Furuno USA and applies to new equipment installed and operated in accordance with Furuno USA's published instructions.

Magnetrons and Microwave devices will be warranted for a period of 12 months from date of original equipment installation.

Furuno U.S.A., Inc. warrants each new product to be of sound material and workmanship and through its authorized dealer will exchange any parts proven to be defective in material or workmanship under normal use at no charge for a period of 24 months from the date of installation or purchase.

Furuno U.S.A., Inc., through an authorized Furuno dealer will provide labor at no cost to replace defective parts, exclusive of routine maintenance or normal adjustments, for a period of 24 months from installation date provided the work is done by Furuno U.S.A., Inc. or an AUTHORIZED Furuno dealer during normal shop hours and within a radius of 50 miles of the shop location.

A suitable proof of purchase showing date of purchase, or installation certification must be available to Furuno U.S.A., Inc., or its authorized dealer at the time of request for warranty service.

This warranty is valid for installation of products manufactured by Furuno Electric Co. (hereafter FURUNO). Any purchases from brick and mortar or web-based resellers that are imported into other countries by anyone other than a FURUNO certified dealer, agent or subsidiary may not comply with local standards. FURUNO strongly recommends against importing these products from international websites or other resellers, as the imported product may not work correctly and may interfere with other electronic devices. The imported product may also be in breach of the local laws and mandated technical requirements. Products imported into other countries, as described previously, shall not be eligible for local warranty service.

For products purchased outside of your country please contact the national distributor of Furuno products in the country where purchased.

WARRANTY REGISTRATION AND INFORMATION

To register your product for warranty, as well as see the complete warranty guidelines and limitations. In order to expedite repairs, warranty service on Furuno equipment is provided through its authorized dealer network. If this is not possible or practical, please contact Furuno U.S.A., Inc. to arrange warranty service.

Furuno U.S.A., Inc. is proud to supply you with the highest quality in Marine Electronics. We know you had several choices when making your selection of equipment, and from everyone at Furuno we thank you. Furuno takes great pride in customer service.